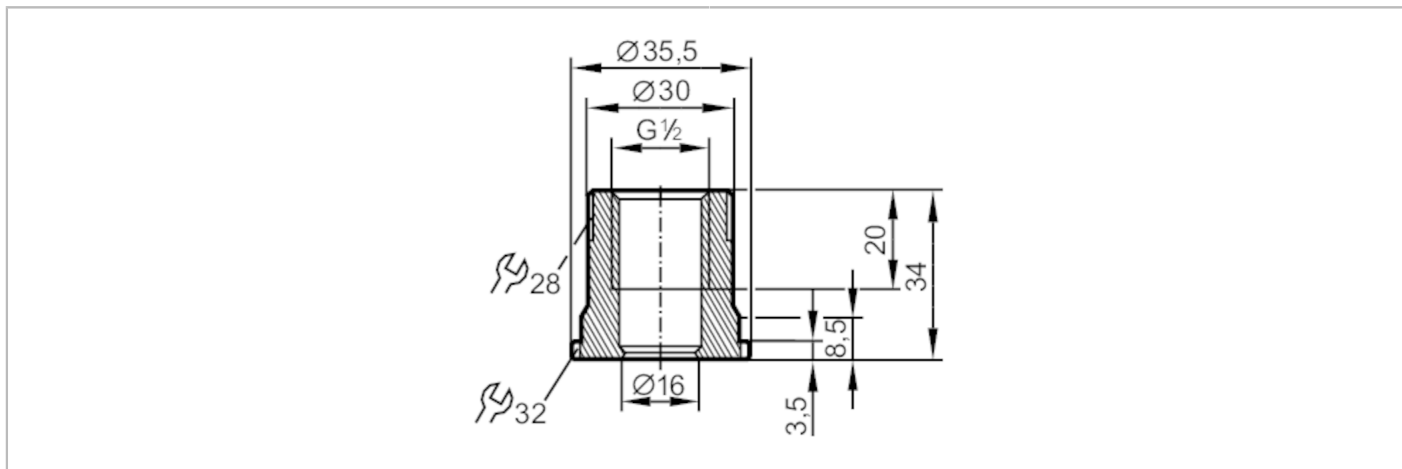


E33430



Process adapter for SMS pipe fitting

ADAPT G1/2-SMS DN25



EC 1935/2004 EHEDG Tested **FCM** **FDA**

| Application | |
|---|---|
| Pressure rating | [bar] 40 |
| Tests / approvals | |
| Pressure Equipment Directive | A possible classification to PED depends on the application and has to be carried out by the user / operator. |
| Safety instructions | The compatibility between medium and product material has to be checked in all applications. |
| Mechanical data | |
| Weight | [g] 175 |
| Materials | stainless steel (1.4404 / 316L) |
| Sensor connection | G 1/2 |
| Process connection | SMS pipe fitting DN25 |
| Surface characteristics Ra/Rz of the wetted parts | 0.4 / 4 |
| Remarks | |
| Pack quantity | 1 pcs. |