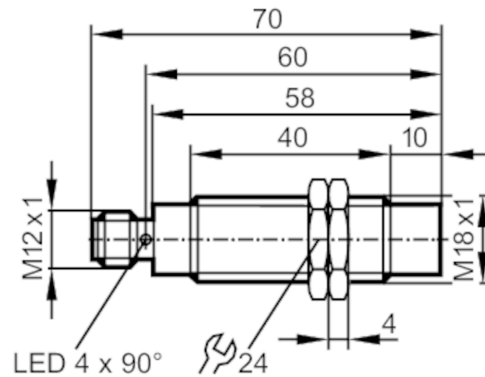




Inductive sensor

IGK2012-FRKG/M/2LED/US-104-IRF



Product characteristics

Electrical design	PNP/NPN
Output function	normally open / normally closed; (selectable)
Sensing range [mm]	12
Housing	threaded type
Dimensions [mm]	M18 x 1 / L = 70

Application

Special feature	Gold-plated contacts; Increased sensing range; Optical setting aid
Application	Use in machine tools, coolants and lubricants

Electrical data

Operating voltage [V]	10...36 DC
Protection class	II
Reverse polarity protection	yes

Outputs

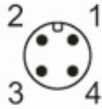
Electrical design	PNP/NPN
Output function	normally open / normally closed; (selectable)
Max. voltage drop switching output DC [V]	4.6
Minimum load current [mA]	4
Max. leakage current [mA]	1
Permanent current rating of switching output DC [mA]	100
Switching frequency DC [Hz]	300
Short-circuit protection	yes
Type of short-circuit protection	pulsed
Overload protection	yes

IGC223



Inductive sensor

IGK2012-FRKG/M/2LED/US-104-IRF

Detection zone		
Sensing range	[mm]	12
Real sensing range Sr	[mm]	12 ± 10 %
Operating distance	[mm]	0...9.7
Increased sensing range		yes
Accuracy / deviations		
Correction factor		steel: 1 / stainless steel: 0.7 / brass: 0.4 / aluminium: 0.3 / copper: 0.2
Hysteresis	[% of Sr]	1...20
Switch point drift	[% of Sr]	-10...10
Operating conditions		
Ambient temperature	[°C]	-25...70
Protection		IP 68; ("Coolant")
Tests / approvals		
EMC	EN 61000-4-2 ESD	4 kV CD / 8 kV AD
	EN 61000-4-3 HF radiated	10 V/m
	EN 61000-4-4 Burst	2 kV
	EN 61000-4-6 HF conducted	10 V
	EN 55011	class B
MTTF	[years]	1341
Mechanical data		
Weight	[g]	52.8
Housing		threaded type
Mounting		non-flush mountable
Dimensions	[mm]	M18 x 1 / L = 70
Thread designation		M18 x 1
Materials		housing: brass white bronze coated; sensing face: LCP uncoloured
Displays / operating elements		
Display	switching status	4 x 90° LED, yellow
	setting aid	1 x LED, red
Optical setting aid		yes
Accessories		
Accessories (supplied)		lock nuts: 2
Remarks		
Pack quantity		1 pcs.
Electrical connection - plug		
Connector: 1 x M12; Contacts: gold-plated		
		

IGC223



Inductive sensor

IGK2012-FRKG/M/2LED/US-104-IRF

