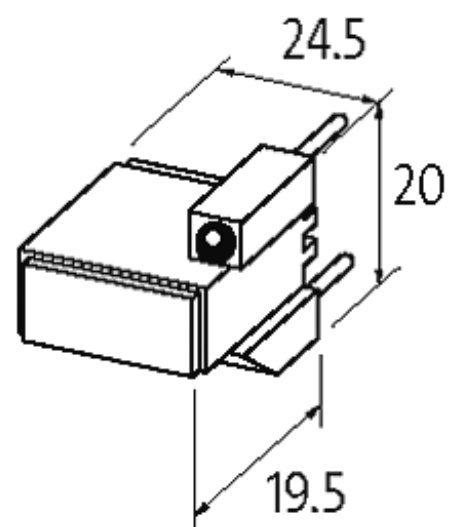


**SUPPRESSOR FOR SIEMENS CONTACTOR**

Diode, 24...240 VDC, 15 W

24...240 V DC  
Varistor + Diode

For other configurations and voltages, please inquire

[Link to Product](#)**Illustration**

stay connected



# Diode

Product may differ from Image

## Approvals



## Appropriate contactors

3 TH 2; 3 TF 2; 3 TH 20; 3 TF 20

## Technical Data

Damping factor	approx. 1.5 × UN
Material	Flame retardant plastic acc. to (UL 94)
Connection wires	Plug contact

## General data

Temperature range	-20...+70 °C
Dimensions H × W × D	19.5×20×24.5 mm

## Commercial data

country of origin	CZ
customs tariff number	85363010
minimum order quantity	1