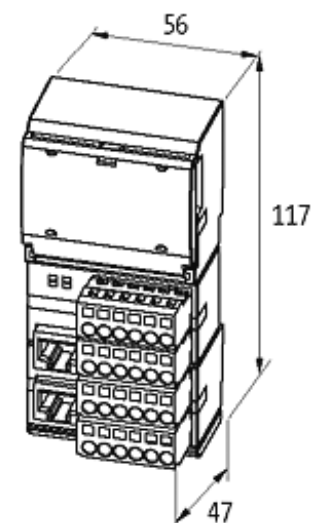


**IMPACT20 ETHERNET-IP, DIGITAL OUTPUT MODULE**

16 digital outputs

Digital outputs  
DO16 - 0.5 A

For connection cables please see chapter "Connection Technology" Housings potted on the back

[Link to Product](#)**Illustration**

Product may differ from Image

**Approvals**



### More Info



### Connections

Fieldbus	2 × RJ45 (female)
Sensor-system/actuator supply	6 × spring clamp plug-in terminals, max. 2.5 mm <sup>2</sup> (max. 12 A)
I/O ports	18 × spring clamp plug-in terminals, max. 2.5 mm <sup>2</sup> (max. 12 A)

### Fieldbus

Operating voltage	24 V DC (EN 61131-2)
Transfer rate	to 100 Mbit/s Full Duplex
Addressing	DHCP, BOOTP or IP address by rotary switch

### General data

Protection	IP20
Mounting method	DIN-rail mountable (EN 60715)
Temperature range	0...+55 °C (storage temperature -20...+70 °C)
Dimensions H × W × D	117×56×47 mm

### Output

Switching current per output	max. 0.5 A (short-circuit and overload protected)
Total current	max. 8 A

### Diagnostic

Communication status	via LED
Diagnostic via LED	per module and channel
Diagnostic via BUS	per module and channel
Monitoring - under voltage	yes
Monitoring - no voltage	yes
Short circuit and overload	yes

### Commercial data

country of origin	DE
customs tariff number	85176200
minimum order quantity	1