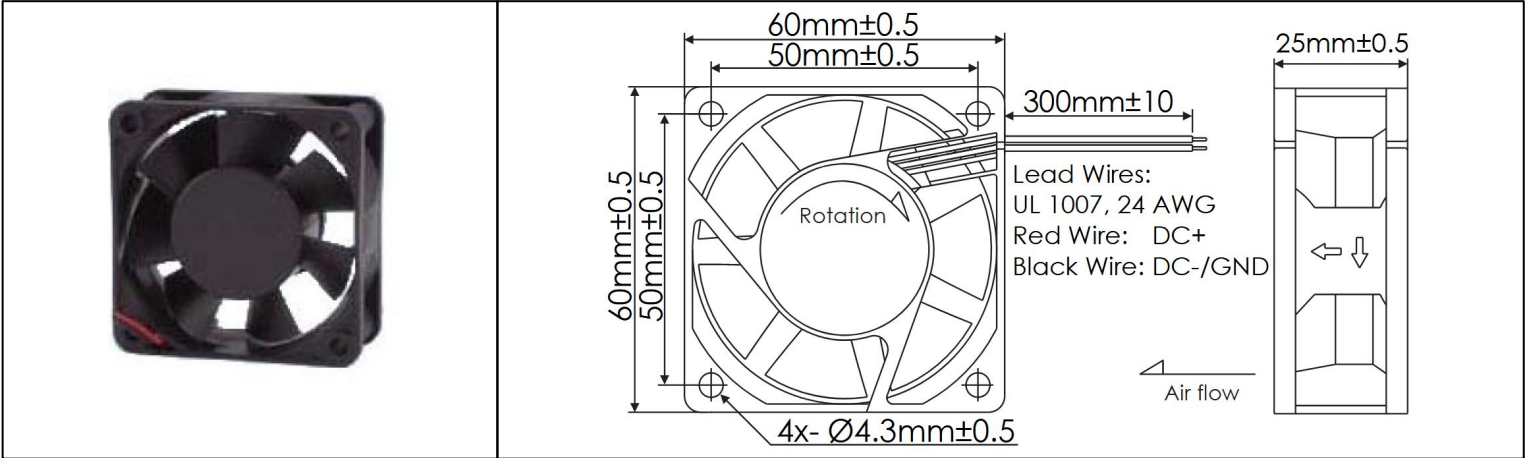


# OD6025 5 Volt Series



DC Fans - 5V  
60mm x 25mm (2.4" x 1.0")



Frame	PBT, UL94 V-0 Plastic	<b>Operating Temperature</b> -20°C ~ +65°C  <b>Storage Temperature</b> -20°C ~ +70°C  <b>Life Expectancy</b> 60,000 Hours (L10 at 45°C)  <b>Available Options</b> Tachometer Output Alarm Output PWM Speed Control Input  Weight: 0.14 lbs	
Impeller	PBT, UL94 V-0 Plastic		
Connection	2x Lead Wires, 24 AWG		
Motor	Brushless DC, Auto Cutoff, Auto Restart, Polarity Protected, Electronically Protected		
Bearing System	Ball Bearings		
Dielectric Strength	500VDC/min, <1mA		
Insulation Resistance	≥10MΩ @ 500 VDC		

Part Number	Rated Voltage (Volts DC)	Voltage Range (Volts DC)	Input Power (Watts)	Rated Current (Amps)	Rated Speed (RPM)	Max Airflow (CFM)	Noise Level (dBA)	Max Static Pressure ("H <sub>2</sub> O)
OD6025-05HB	5	4.5 ~ 5.5	1.6	0.32	3575	25	30.2	0.22
OD6025-05MB	5	4.5 ~ 5.5	1.2	0.24	3180	20	26.4	0.17
OD6025-05LB	5	4.5 ~ 5.5	0.9	0.17	2795	15	21.1	0.14