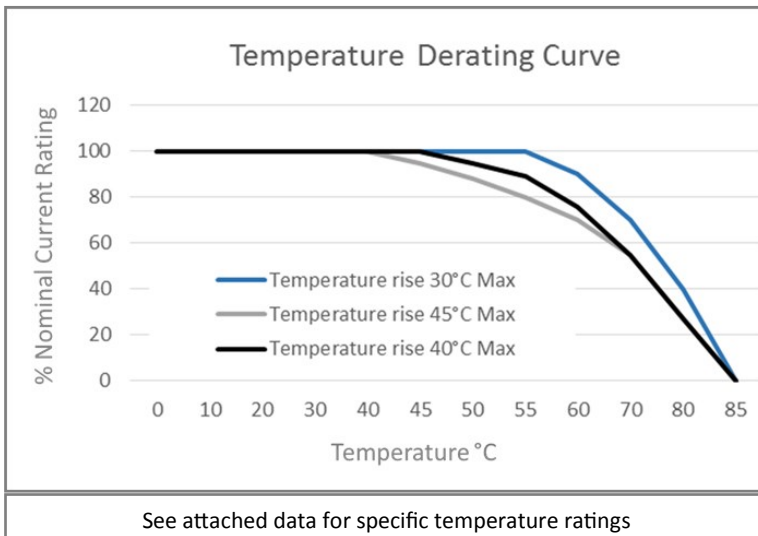


RIX Series IEC Inlet Filters PCB Mounted

The RIX series of general purpose IEC inlet filters offers good performance for both common mode and differential mode interface, in a standard compact size.

A standard IEC inlet filter available from Roxburgh EMC with quick and easy mounting.

- Current ratings, 1A, 3A and 6A
- Rated at 250V
- Also available with increased x and y caps for optimum performance
- Customisation services available
- Available from UK stock



Meets overvoltage category II of IEC60664
Complies with BS EN 60950

UL Standard: UL1283

IEC Standard: IEC 60939-2:2005

CSA Standard: C22.2

Features:

- UL Approved
- General Purpose
- 1 to 6 Amp Current Ratings
- IEC Inlet with fast-on termination

Application Examples:

- Digital Equipment
- Point-of-sale equipment
- Printers
- Inverters
- Vending and Gaming machines

Benefits:

- Quick and easy mounting
- Safety approvals held
- UK stock

Contact us on:

Tel: +44 (0) 1724 273228

Email: roxburghemc@dem-uk.com

DEM Manufacturing
Deltron Emcon House
Hargreaves Way
Sawcliffe Industrial Park
Scunthorpe
DN15 8RF



Tel: 44 (0) 1724 273200
Fax: 44 (0) 1724 280353
Email: sales@dem-uk.com
Web: www.dem-uk.com/roxburgh

A. General Specifications

Model	Rated Voltage AC,DC[V]	Rated Current [A]	Leakage Current Max. [mA]	Temperature Rise Max. [°C]
RIX-01*2-*	250	1	0.35	30
RIX-01*3-*	250	1	0.50	30
RIX-02*2-*	250	2	0.35	30
RIX-02*3-*	250	2	0.50	30
RIX-03*2-*	250	3	0.35	30
RIX-03*3-*	250	3	0.50	30
RIX-06*2-*	250	6	0.35	45
RIX-06*3-*	250	6	0.50	45
RIX-L03*2-*	250	3	0.35	45
RIX-L03*3-*	250	3	0.50	45
RIX-(L)**A0-*	250	1/2/3/6	0.01	30/30/30(45)/45
RIX-(L)**AC-*	250	1/2/3/6	0.075	30/30/30(45)/45
RIX-(L)**AD-*	250	1/2/3/6	0.10	30/30/30(45)/45

*Leakage current measuring method

UL 1283(3rd Edition): -26 and Fig 26.1

*Temperature rise measuring method

VDE 0565-3 : - 2.3.3 and - 4.5

B. Operating Temperature Range

-25°C to +85°C including temperature rise.

C. Withstand Voltage

1500V AC for 1 minute between line and ground.

1800V DC for 1 minute between line and line.

D. Insulation Resistance

300M Ω minimum at 500V DC between line and ground.

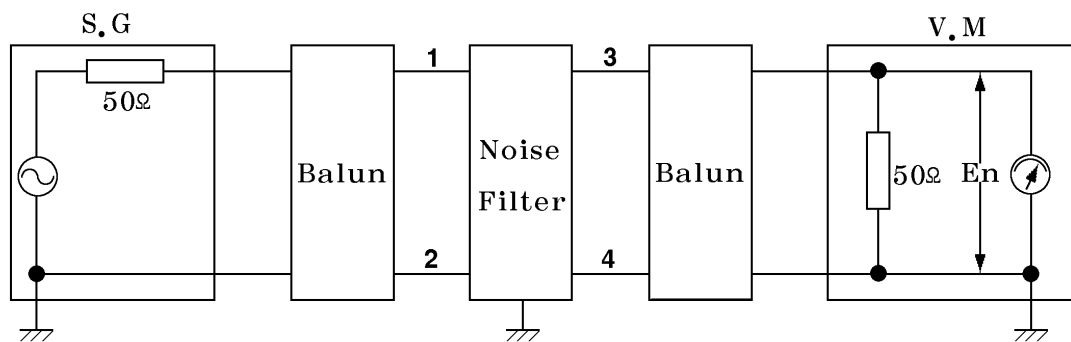
E. Voltage Drop

1 volt maximum at rated current.

F. Circuit Diagram and Component Values

- Refer to attached Appendix page A1

G. Attenuation Measuring Method



OSC Level : 0dB

Insertion loss = $-20\log(E1/E2)$ [dB]

E1 : Level with the Noise Filter in the circuit.

E2 : Level without the Noise Filter in the circuit.

H. Guaranteed Minimum Attenuation In [dB]

- Refer to attached Appendix page A2

I. Shape and Dimension

- Refer to attached Appendix page A3

Item : EMI Filter
Model No : RIX-Series

Rev.4
4 - 4

J. Marking

1. Trademark.
2. Model No.
3. Rated voltage and current.
4. Operating temperature range.
5. Circuit diagram and component value.
6. Lot No.
7. UL, CSA marks.

K. Material List

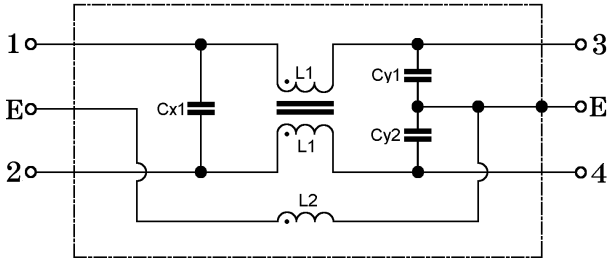
- Refer to attached Appendix page A4

L. Packing

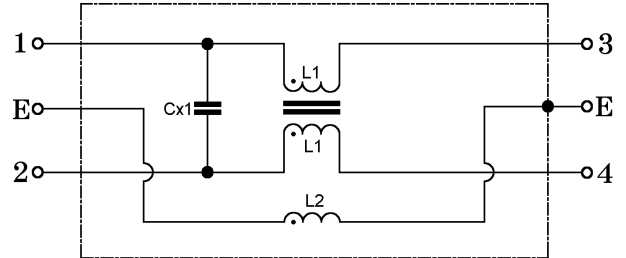
- Refer to attached Appendix page A5

※ .Circuit Diagram and Component Values

1. RIX-****-* TYPE

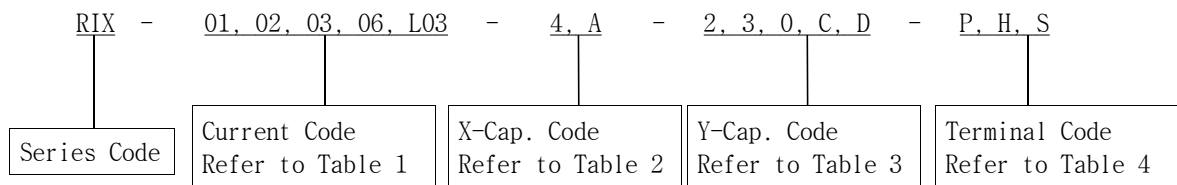


2. RIX-***0-* TYPE



Model No.	Inductance L1	Inductance L2	X-Capacitor Cx1	Y-Capacitor Cy1,2
RIX-01***-	6.0mH +50%, -30%	18.3uH +50%, -30%	*	*
RIX-02***-	2.4mH +50%, -30%	18.3uH +50%, -30%	*	*
RIX-03***-	1.2mH +50%, -30%	18.3uH +50%, -30%	*	*
RIX-06***-	0.53mH +50%, -30%	18.3uH +50%, -30%	*	*
RIX-L03***-	2.4mH +50%, -30%	18.3uH +50%, -30%	*	*
RIX-***42-*	*	18.3uH +50%, -30%	0.047μF ±20%	2200pF ±20%
RIX-***43-*	*	18.3uH +50%, -30%	0.047μF ±20%	3300pF ±20%
RIX-***A2-*	*	18.3uH +50%, -30%	0.1μF ±20%	2200pF ±20%
RIX-***A3-*	*	18.3uH +50%, -30%	0.1μF ±20%	3300pF ±20%
RIX-***A0-*	*	18.3uH +50%, -30%	0.1μF ±20%	NONE
RIX-***AC-*	*	18.3uH +50%, -30%	0.1μF ±20%	330pF ±20%
RIX-***AD-*	*	18.3uH +50%, -30%	0.1μF ±20%	470pF ±20%

Construction of Model No.



* Table 1 : Current Code

Suffix	01	02	03	06	L03
Current	1 A	2 A	3 A	6 A	3 A

* Table 2 : X-Capacitor Code

Suffix	4	A
X-Capacitor	0.047μF	0.1μF

* Table 3 : Y-Capacitor Code

Suffix	2	3	0	C	D
Y-Capacitor	2200pF	3300pF	None	330pF	470pF

* Table 4 : Terminal Code

Suffix	P	H	S
Terminal	PCB Tab	Faston Tab #250	Solder Lug

Item : EMI Filter

Rev.4

Model No : RIX-Series(Appendix)

A 2

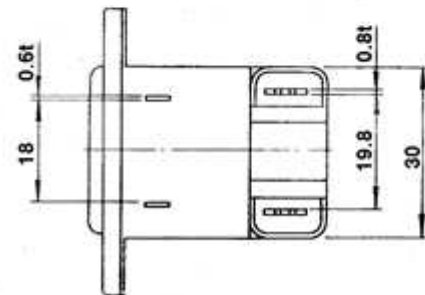
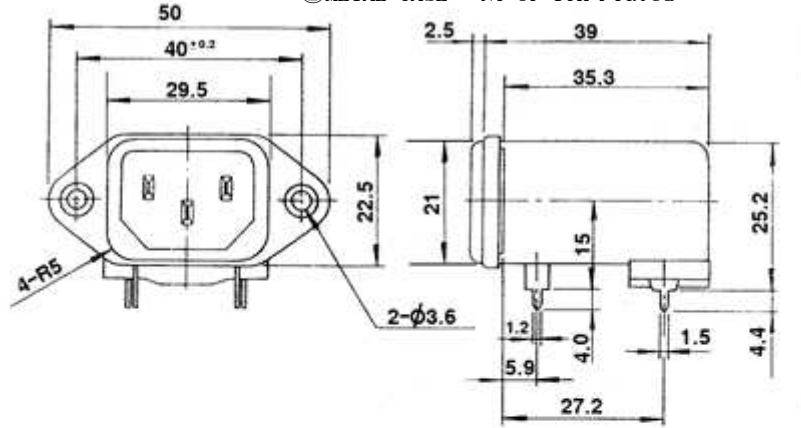
※ .Guaranteed Minimum Attenuation In [dB]

Model	Common mode [MHz]							Normal mode [MHz]						
	0.15	0.45	1	2	5	10	30	0.15	0.45	1	2	5	10	30
RIX-0142-*	30	42	48	47	47	53	50	8	15	20	32	47	52	60
RIX-0143-*	33	43	50	50	50	55	50	8	14	20	35	48	55	60
RIX-01A2-*	32	44	47	43	45	48	50	13	22	25	35	50	52	56
RIX-01A3-*	33	42	50	50	50	58	50	13	20	25	38	50	55	64
RIX-0242-*	25	35	42	45	45	52	53	8	15	16	21	43	50	60
RIX-0243-*	25	35	43	49	49	55	50	8	15	15	27	47	53	60
RIX-02A2-*	25	35	42	45	46	52	52	13	21	21	27	42	48	60
RIX-02A3-*	24	35	43	49	49	55	50	13	20	20	30	46	53	59
RIX-0342-*	19	27	33	40	46	52	50	8	15	19	19	37	47	56
RIX-0343-*	19	27	35	43	47	53	50	8	15	18	18	43	50	57
RIX-03A2-*	19	27	33	40	43	50	50	15	23	25	23	38	45	60
RIX-03A3-*	19	28	35	42	48	55	50	15	22	23	22	45	50	60
RIX-0642-*	9	20	26	33	42	48	50	8	15	20	20	30	40	56
RIX-0643-*	9	20	28	34	43	50	47	8	15	20	20	34	43	55
RIX-06A2-*	9	20	26	33	42	48	50	13	22	25	25	33	43	60
RIX-06A3-*	9	20	28	34	44	52	47	13	21	25	25	37	49	60
RIX-L0342-*	25	35	42	45	45	52	53	8	15	16	21	43	50	60
RIX-L0343-*	25	35	43	49	49	55	50	8	15	15	27	47	53	60
RIX-L03A2-*	25	35	42	45	46	52	52	13	21	21	27	42	48	60
RIX-L03A3-*	24	35	43	49	49	55	50	13	20	20	30	46	53	59
RIX-02AD-*	21	33	38	38	35	38	40	14	24	28	30	31	35	47
RIX-03AC-*	17	28	32	33	32	38	40	14	24	28	28	27	32	45
RIX-03AD-*	17	28	32	35	35	38	40	14	24	28	28	27	32	45
RIX-L03AD-*	21	33	38	38	35	38	40	14	24	28	30	31	35	47

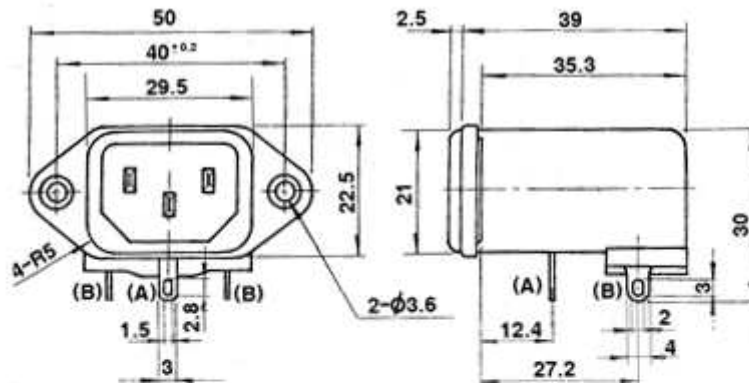
※ .Shape and Dimension Unit : [mm]

- ①GENERAL TOLERANCE : $\pm 0.3\text{mm}$
- ②METAL CASE : Ni or Tin Plated

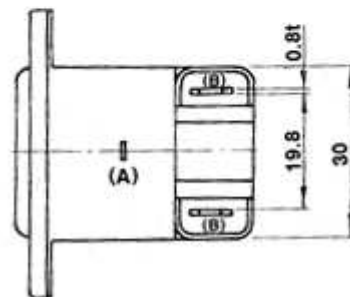
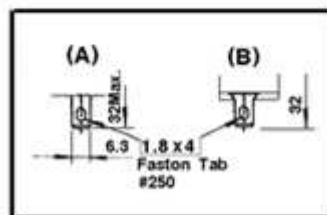
1) RIX-****P** Series
 (P.C.B Mounting Type)



2) RIX-****S** Series
 (Sodering Lug Type)



2-1) Alternate Terminal for RIX-****H**



※ .Packing

1. Quantity & Weight

Packing Case	Q'ty/ 1 Box	Gross Weight(kg)
Carton Box	400	24
Inner Box	100	5.5

2. Packing Case

Packing Case	Q'ty	Material	Dimension(W×L×Hmm)
Carton Box	1/400	SK3SA	455×245×384
Inner Box	1/100	SKSA B Type	235×220×180
Packing Case	1/20	P.E.T	228×209×33
Styrofoam Pad	1/100	PS	220×200×9t
Poly Bag	1/100	P.E ,t=30 μ	400×470

3. Marking

- 1) Model No.
- 2) Q'ty of products
- 3) Lot No.

