

PLEASE CHECK WWW.MOLEX.COM FOR LATEST PART INFORMATION

Part Number: [1040040501](#)
Status: **Active**
Overview: HSAutoLink™ Interconnect Systems
Description: 0.80mm Pitch USCAR Mini B Vertical Header, Through Hole, 5 Circuit, Type A

Documents:

[Drawing \(PDF\)](#) [RoHS Certificate of Compliance \(PDF\)](#)
[Product Specification PS-49616-001 \(PDF\)](#)

General

Product Family	PCB Headers
Series	104004
Application	Signal, Wire-to-Board
Comments	Higher current rating achievable, please contact PM for additional technical information.
Overview	HSAutoLink™ Interconnect Systems
Product Name	HSAutoLink™
UPC	883906580117

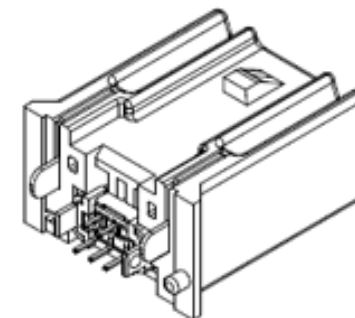
Physical

Breakaway	No
Circuits (Loaded)	5
Circuits (maximum)	5
Color - Resin	Black
Durability (mating cycles max)	25
First Mate / Last Break	No
Glow-Wire Compliant	No
Guide to Mating Part	No
Keying to Mating Part	None
Lock to Mating Part	Yes
Material - Metal	Copper Alloy
Material - Plating Mating	Gold
Material - Plating Termination	Tin
Material - Resin	High Temperature Thermoplastic
Net Weight	3.458/g
Number of Rows	1
Orientation	Vertical
PCB Locator	Yes
PCB Retention	Yes
PCB Thickness - Recommended	1.60mm
Packaging Type	Tray
Pitch - Mating Interface	0.80mm
Pitch - Termination Interface	0.80mm
Plating min - Mating	0.762µm
Plating min - Termination	3.810µm
Polarized to Mating Part	Yes
Polarized to PCB	Yes
Shrouded	No
Stackable	No
Temperature Range - Operating	-40°C to +85°C
Termination Interface: Style	Through Hole

Electrical

Current - Maximum per Contact	1.0A
Voltage - Maximum	5V (RMS)

Material Info



Series image - Reference only

EU ELV

Compliant

EU RoHS

Compliant

REACH SVHC

Not Contained Per -
ED/21/2016 (20 June
2016)

Halogen-Free

Status

Low-Halogen

Need more information on product environmental compliance?

Email productcompliance@molex.com
Please visit the [Contact Us](#) section for any non-product compliance questions.

China ROHS
ELV

Green Image
Compliant

Search Parts in this Series

[104004 Series](#)

Mates With

[HS AutoLink™ Cable Assembly 111014](#)
, [111015](#) , [111005](#) , [111041](#) , [111019](#) ,
[111020](#)

Reference - Drawing Numbers

Product Specification

Sales Drawing

PS-49616-001

SD-104004-001

This document was generated on 07/11/2016

PLEASE CHECK WWW.MOLEX.COM FOR LATEST PART INFORMATION