

Power Supply IC Series for TFT-LCD Panels

Automotive Panel Power Management IC

BM81810MUV-M

General Description

BM81810MUV-M is a power management IC for TFT-LCD panels which are used in car navigation, in-vehicle center panel, and instrument cluster. This IC incorporates VCOM amplifier, Gate Pulse Modulation (GPM) in addition to the power supply for panel driver (SOURCE, GATE, and LOGIC power supplies). Moreover, this IC has a built-in EEPROM for sequence and output voltage setting retention.

Key Specifications

■ Input voltage range:	2.6V to 5.5V
■ AVDD Output voltage range:	5.0V to 17.0V
■ VGH Output voltage range:	8.0V to 35.0V
■ VGL Output voltage range:	-4.0V to -14.0V
■ VDD Output voltage range:	0.9V to 3.4V
■ VCOM Output current:	200 mA (Typ)
■ Switching Frequency:	525KHz, 1.05MHz, 2.1MHz
■ Operating temperature range:	-40°C to +105°C
■ Standby current:	2.0 μA (Typ)

Special Characteristics

■ AVDD output voltage accuracy:	±2%
■ Oscillator Frequency:	±10%

Applications

TFT-LCD Panels which are used in car navigation, in-vehicle center panel, and instrument cluster.

Features

- AEC-Q100 Qualified^(Note 1)
- Alternative Synchronous Buck DC/DC converter or LDO for VDD output
- Synchronous Boost DC/DC converter for AVDD output with integrated load switch.
- VCOM amplifier with 7bit calibrator
- Positive charge pump (Integrated diode, x2/x3) for VGH output
- Negative charge pump for VGL output
- VGH and VCOM temperature compensation
- Gate Pulse Modulation(GPM)
- I²C Interface Output Voltage Setting Control Function (Integrated EEPROM)
- Switching frequency switching function (525kHz, 1.05MHz, 2.1MHz)
- Protection circuits
 - Under-Voltage Lockout
 - Thermal Shut Down
 - Over-Current Protection
 - Over-Voltage Protection
 - Under Voltage Protection (Timer Latch type)
- Input tolerant (SCL, SDA, EN, GSIN) (Note1: Grade 2)

Package

VQFN32SV5050

W(Typ) x D(Typ) x H(Max)

5.0mm x 5.0mm x 1.0mm

Typical Application Circuit (TOP VIEW)

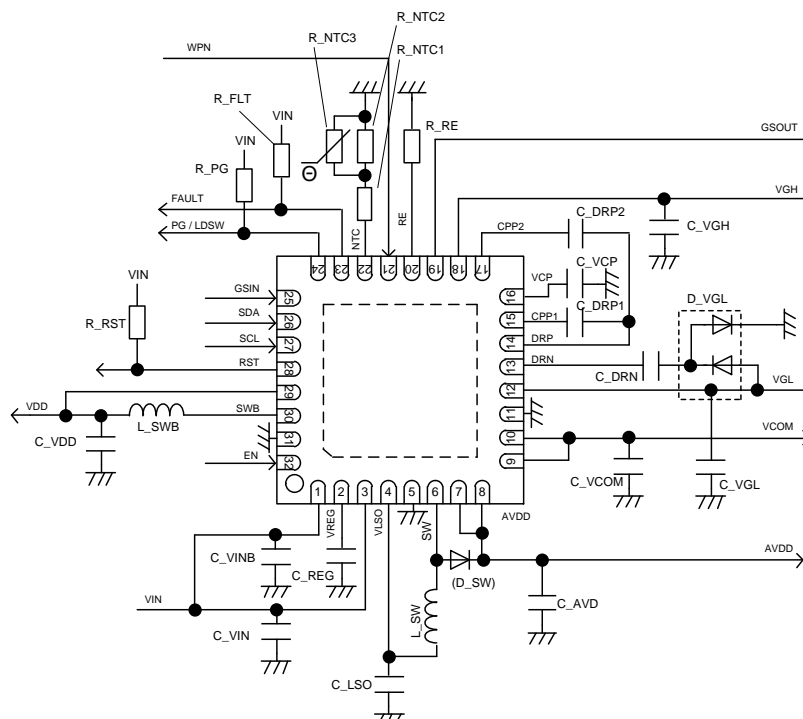


Figure 1. Application Circuit

○Product structure : Silicon integrated circuit ○This product has no designed protection against radioactive rays.

Contents

General Description	1
Key Specifications	1
Special Characteristics	1
Applications	1
Features.....	1
Package.....	1
Typical Application Circuit (TOP VIEW)	1
Pin Configuration (TOP VIEW).....	3
Pin Descriptions.....	3
Absolute Maximum Ratings	4
Thermal Resistance ^(Note 1)	5
Recommended Operating Ratings (Ta=-40 °C to +105 °C)	5
Electrical Characteristics (Unless otherwise specified, Ta=25°C, VIN, VINB=3.3V)	6
Typical Performance Curves.....	10
Application Example 1 (when operated by EN control).....	25
Timing Chart1	27
Application Example 2 (when operated with EN= VCC condition)	29
Timing Chart2	29
Application Example 3 (using LDSW mode)	31
Timing Chart3	33
Serial communication	35
WPN Timing.....	36
I2C Timing Diagram	37
Automatic EEPROM Read Function at Start-up	38
EEPROM Parameter Setting	39
Register Map	40
Command Table.....	41
Check Sum	45
Soft Start Time	46
Block Diagram	47
AVDD Block Function.....	48
VGH Block Function	51
VGL Block Function	54
VCOM Block Function	55
VDD Block Function.....	56
GPM Block Function	58
RESET Block Function	59
PG/LDSW Block Function.....	60
NTC Block Function.....	61
EN Block Function	61
VGH and VCOM temperature compensation.....	62
FAULT Block Function	63
Fail Register Function.....	63
Protection function explanation of POWER MANAGEMENT block	64
Double Register	65
Data Refresh.....	65
PCB Layout Guide	66
EMC Layout Guide	67
I/O Equivalence Circuit	68
Operation Notes.....	71
Ordering Information.....	73
Marking Diagram	73
Physical Dimension, Tape and Reel Information.....	74
Revision History.....	75

Pin Configuration (TOP VIEW)

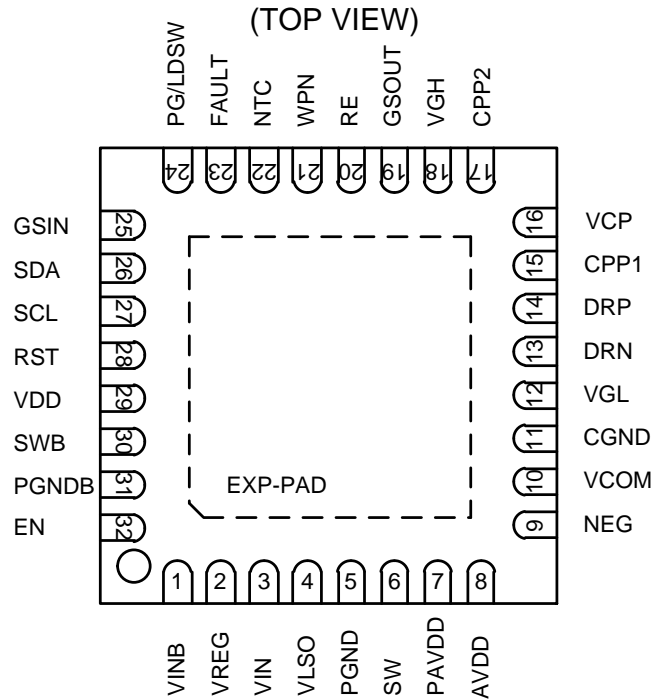


Figure 2. Pin Configuration

Pin Descriptions

Pin No.	Pin Name	Function	Pin No.	Pin Name	Function
1	VINB	Buck DC/DC power supply input	17	CPP2	Built-in Positive charge pump switching Di output 3
2	VREG	Inner power supply output	18	VGH	Positive charge pump feedback & Power Input of Gate Pulse Modulation
3	VIN	Boost DC/DC load switch input	19	GSOUT	Output of Gate Pulse Modulation
4	VLSO	Boost DC/DC load switch output	20	RE	Slope Setting Pin for Gate Pulse Modulation
5	PGND	Boost DC/DC ground	21	WPN	Active Low of EEPROM Writing protection.
6	SW	Boost DC/DC switching pin	22	NTC	Slope setting pin for temperature compensation of the VON and VCOM
7	PAVDD	Boost DC/DC output & output feedback Power Input of DRN	23	FAULT	FAULT signal output
8	AVDD	Power Input of VCOM , DRP	24	PG/LDSW	Power Good signal output or Load SW of PAVDD.
9	NEG	Negative Input of VCOM Amplifier	25	GSIN	Input of Gate Pulse Modulation
10	VCOM	VCOM amplifier output	26	SDA	Serial clock data input (I2C)
11	CGND	Charge pump ground	27	SCL	Serial clock input (I2C)
12	VGL	Negative charge pump feedback	28	RST	Reset output
13	DRN	Negative charge pump driver pin	29	VDD	Buck DC/DC or LDO output feedback input
14	DRP	Positive charge pump driver pin	30	SWB	Buck DC/DC switching pin or LDO output pin
15	CPP1	Built-in Positive charge pump switching Di output 1	31	PGNDB	Buck DC/DC ground
16	VCP	Built-in Positive charge pump switching Di output 2	32	EN	Enable input
			-	EXP-PAD	Connect to Ground.

Absolute Maximum Ratings

Parameter	Symbol	Limits			Unit
		Min	Typ	Max	
Power Supply Voltage	VIN, VINB	-0.3	-	+6.5	V
Output Pin	SWB	-0.3	-	VINB+0.3	V
	VDD	-0.3	-	+6.5	V
	AVDD, PAVDD, SW	-0.3	-	+19	V
	VLSD	-0.3	-	+6.5	V
	VCOM	-0.3	-	AVDD+0.3	V
	DRP	-0.3	-	AVDD+0.3	V
	DRN	-0.3	-	PAVDD+0.3	V
	CPP1, CPP2, VCP	-0.3	-	+36	V
	VGH, GSOUT, RE	-0.3	-	+36	V
	VGL	-15	-	+0.3	V
	VREG	-0.3	-	VIN+0.3	V
	FAULT	-0.3	-	+6.5	V
	PG/LDSW	-0.3	-	+19	V
	RST, NTC	-0.3	-	VIN+0.3	V
Input Pin	NEG	-0.3	-	AVDD+0.3	V
Functional Pin Voltage	SCL, SDA, EN, GSIN	-0.3	-	+6.5	V
	WPN	-0.3	-	VIN+0.3	V
Maximum Junction temperature	Tjmax (Note 1)	-	-	+150	°C
Storage Temperature Range	Tstg	-55	-	+150	°C

(Note 1) Junction temperature at storage time.

Caution : Operating the IC over the absolute maximum ratings may damage the IC. The damage can either be a short circuit between pins or an open circuit between pins and the internal circuitry. Therefore, it is important to consider circuit protection measures, such as adding a fuse, in case the IC is operated over the absolute maximum ratings.

Thermal Resistance (Note 1)

Parameter	Symbol	Thermal Resistance (Typ)		Unit
		1s ^(Note 3)	2s2p ^(Note 4)	
VQFN32SV5050				
Junction to Ambient	θ_{JA}	138.9	39.1	°C/W
Junction to Top Characterization Parameter ^(Note 2)	Ψ_{JT}	11	5	°C/W

(Note 1)Based on JESD51-2A(Still-Air).

(Note 2)The thermal characterization parameter to report the difference between junction temperature and the temperature at the top center of the outside surface of the component package.

(Note 3)Using a PCB board based on JESD51-3.

Layer Number of Measurement Board	Material	Board Size
Single	FR-4	114.3mm x 76.2mm x 1.57mm

Top	
Copper Pattern	Thickness
Footprints and Traces	70μm

(Note 4)Using a PCB board based on JESD51-5, 7.

Layer Number of Measurement Board	Material	Board Size	Thermal Via ^(Note 5)		
			Pitch	Diameter	
4 Layers	FR-4	114.3mm x 76.2mm x 1.6mm	1.20mm	Φ0.30mm	
Top		2 Internal Layers		Bottom	
Copper Pattern	Thickness	Copper Pattern	Thickness	Copper Pattern	Thickness
Footprints and Traces	70μm	74.2mm x 74.2mm	35μm	74.2mm x 74.2mm	70μm

(Note 5) This thermal via connects with the copper pattern of all layers.

Recommended Operating Ratings (Ta=-40 °C to +105 °C)

Parameter	Symbol	Min	Typ	Max	Unit
Power Supply Voltage	VIN, VINB	2.6	-	5.5	V
SWB Current	ISWB	-	-	1.0	A
SW Current	ISW	-	-	2.0	A
Functional Pin Voltage	EN, GSIN, WPN	-0.1	-	+5.5	V
2 Line Serial Pin Voltage	SDA, SCL	-0.1	-	+5.5	V
2 Line Serial Frequency	FCLK	-	-	400	kHz
Operating Ambient Temperature	TA	-40	-	+105	°C
Operating Junction Temperature	TJ	-40	-	+125	°C

Electrical Characteristics (Unless otherwise specified, Ta=25°C, VIN, VINB=3.3V)

1. VDD regulator block (Alternative Buck converter or LDO)

Parameter	Symbol	Limits			Unit	Condition
		Min	Typ	Max		
Output Voltage Range	VDD	0.9	-	3.4	V	50 mV step
Output Voltage Accuracy 1	VDD_R1	2.462	2.5	2.538	V	VDD=2.5 V setting
Output Voltage Accuracy 2	VDD_R2	-2.0	-	+2.0	%	VDD=2.5 V to 3.4 V setting (Ta=-40 to +105 °C)
Output Voltage Accuracy 3	VDD_R3	-3.0	-	+3.0	%	VDD=0.9 V to 2.45 V setting (Ta=-40 to +105 °C)
Soft Start time	VDD_SS	0.85	1	1.15	msec	VDD=1.2 V setting
Under-Voltage Protection voltage	VDD_UVP	VDD×0.7	VDD×0.8	VDD×0.9	V	
SWB H Side ON Resistance	RONH_SWB	-	300	480	mΩ	DCDC mode
SWB L Side ON Resistance	RONL_SWB	-	300	480	mΩ	DCDC mode
SWB H Side ON Resistance	RON_SWB	-	1.0	2.0	Ω	LDO mode
SWB H Side Leak Current	IL_SWBH	-	0	20	μA	(Ta=-40 to +105 °C)
SWB L Side Leak Current	IL_SWBL	-	0	20	μA	(Ta=-40 to +105 °C)
Current Limit	ILMT_SWB1	1.0	1.7	2.7	A	Buck DCDC mode
Current Limit	ILMT_SWB2	0.3	0.5	0.7	A	LDO mode
Maximum Duty	DMAX_SWB	87	95	-	%	Freq=1.05 MHz (Freq=0.525 MHz:98%typ) (Freq=2.10 MHz:87%typ)
Discharge Resistance	DISR_VDD	-	25	50	Ω	

2. Boost DC/DC converter block (AVDD)

Parameter	Symbol	Limits			Unit	Condition
		Min	Typ	Max		
Output Voltage Range	AVDD	5.0	-	17.0	V	0.1 V step
Output Voltage Accuracy1	AVDD_R1	10.342	10.5	10.66	V	AVDD=10.5 V setting
Output Voltage Accuracy2	AVDD_R2	10.29	10.5	10.71	V	AVDD=10.5 V setting (Ta=-40 to +105 °C)
Load Switch Soft Start time	LS_SS	1.7	2	2.3	msec	
Soft Start Time	AVDD_SS	4.25	5	5.75	msec	AVDD=10.5 V setting 5 ms setting
Under-Voltage Protection voltage	AVDD_UVP	AVDD×0.7	AVDD×0.8	AVDD×0.9	V	
Over-Voltage Protection voltage	AVDD_OVP	AVDD×1.03	AVDD×1.1	AVDD×1.2	V	
SW H Side On Resistance	RON_SW	-	250	480	mΩ	
SW L Side On Resistance	RON_SW	-	200	350	mΩ	
SW H Side Leak Current	IL_SWH	-	0	20	μA	(Ta=-40 to +105 °C)
SW L Side Leak Current	IL_SWL	-	0	20	μA	(Ta=-40 to +105 °C)
Current Limit	ILMT_SW	2.0	4.0	6.0	A	AVDD OCP=2 A setting
Current Limit	ILMT_SW	1.0	2.0	2.5	A	AVDD OCP=1 A setting
Load Switch ON Resistance	RON_LS	-	200	350	mΩ	
Maximum Duty	DMAX_SW	83	90	-	%	Freq=1.05 MHz (Freq=0.525 MHz:95%typ) (Freq=2.10 MHz:80%typ)
Discharge Resistance	DISR_AVDD	-	25	50	Ω	

Electrical Characteristics (Unless otherwise specified, Ta=25°C, VIN, VINB=3.3V) – continued

3. VCOM amplifier block (VCOM)

Parameter	Symbol	Limits			Unit	Condition
		Min	Typ	Max		
Output Voltage Range1	VCOM_HOT	0.5x AVDD - 4.0	0.5x AVDD	0.5x AVDD + 4.0	V	40 mV step
Output Voltage Range2	VCOM_COLD	VCOM HOT - 0.63	-	VCOM HOT	V	10 mV step
Output Voltage Range3	VCOM_CAL	VCOM HOT - 0.63	VCOM HOT	VCOM HOT +0.63V	V	10 mV step
Output Voltage Range4	VCOM_RNG	0.2xAVDD	-	0.7x AVDD	V	
Calibration Resolution	RES_CAL	-	7	-	Bit	
Integral Non-Linearity Error (INL)	INL_CAL	-1	-	+1	LSB	
Differential Non-Linearity Error (DNL)	DNLCAL	-1	-	+1	LSB	
Output Current Ability (Source)	ISOURCE	-	200	-	mA	
Output Current Ability (Sink)	ISINK	-	200	-	mA	
Load Stability	VLOAD	-	10	70	mV	Io=-15 mA to +15 mA
Slew Rate	SR	30	60	80	V/μsec	

4. Positive charge pump block (VGH)

Parameter	Symbol	Limits			Unit	Condition
		Min	Typ	Max		
Output Voltage Range 1	VGH_HOT	8.0	-	35	V	0.2 V step
Output Voltage Range 2	VGH_COLD	VGH HOT	-	VGH HOT +15V	V	0.2 V step *Max = 35 V
Output Voltage Accuracy 1	VGH_R1	17.46	18	18.54	V	VGH=18 V setting
Output Voltage Accuracy 2	VGH_R2	17.1	18	18.9	V	VGH=18 V setting (Ta=-40 to +105 °C)
Soft Start time	VGH_SS	4.25	5	5.75	msec	VGH=18 V setting
Under-Voltage Protection voltage	VGH_UVP	VGH×0.7	VGH×0.8	VGH×0.9	V	
DRP H Side On Resistance	RON_DRPH	-	10	20	Ω	
DRP L Side On Resistance	RON_DRPL	-	10	20	Ω	
AVDD-CPP1 On Resistance	RON_CPP1	-	10	20	Ω	
CPP1-VCP On Resistance	RON_CPP2	-	10	20	Ω	
VCP-CPP2 On Resistance	RON_CPP3	-	10	20	Ω	
CPP2-VGH On Resistance	RON_CPP4	-	10	20	Ω	
Discharge Resistance	DISR_VGH	-	150	300	Ω	

5. Negative charge pump block (VGL)

Parameter	Symbol	Limits			Unit	Condition
		Min	Typ	Max		
Output Voltage Range	VGL	-14.0	-	-4.0	V	0.1 V step
Output Voltage Accuracy 1	VGL_R1	-6.18	-6	-5.82	V	VGL=-6.0 V setting
Output Voltage Accuracy 2	VGL_R2	-6.3	-6	-5.7	V	VGL=-6.0 V setting (Ta=-40 to +105 °C)
Soft Start time	VGL_SS	4.25	5	5.75	msec	
Under-Voltage Protection voltage	VGL_UVP	VGL×0.7	VGL×0.8	VGL×0.9	V	
DRN H Side On Resistance	RON_DRNH	-	10	20	Ω	
DRN L Side On Resistance	RON_DRNN	-	10	20	Ω	
Discharge Resistance	DISR_VGL	-	250	500	Ω	

Electrical Characteristics (Unless otherwise specified, Ta=25°C, VIN, VINB=3.3V) – continued

6. Temperature compensation block (NTC)

Parameter	Symbol	Limits			Unit	Condition
		Min	Typ	Max		
NTC HOT Voltage	VNTC_H	0.475	0.5	0.525	V	
NTC COLD Voltage	VNTC_H	1.1875	1.25	1.3125	V	
NTC Current	INTC	36	40	44	μA	
NTC Resolution	RES_NTC	-	4	-	Bit	

7. Gate Pulse Modulation block (GPM)

Parameter	Symbol	Limits			Unit	Condition
		Min	Typ	Max		
GPM High Switch On Resistance	RON_GPMH	-	15	30	Ω	
GPM Low Switch On Resistance	RON_GPML	-	30	-	Ω	
GPM Propagation Delay1	T_GPM1	-	0.1	0.3	μsec	No Capacitive Load 0.1 μS setting
GPM Propagation Delay2	T_GPM2	-	0.5	1.0	μsec	No Capacitive Load 0.5 μS setting
GPM Propagation Delay3	T_GPM3	-	1.0	1.75	μsec	No Capacitive Load 1.0 μS setting
GPM Propagation Delay4	T_GPM4	-	1.5	2.5	μsec	No Capacitive Load 1.5 μS setting
GSIN Pull Down Resistance	RGSIN	70	100	130	kΩ	
GSIN Input High Voltage	VGSINH	1.5	-	-	V	
GSIN Input Low Voltage	VGSINL	-	-	0.6	V	

Electrical Characteristics (Unless otherwise specified, Ta=25°C, VIN, VINB=3.3V) – continued

8. Overall (Entire device)

Parameter	Symbol	Limits			Unit	Condition
		Min	Typ	Max		
Inside Regulator Voltage						
VREG Output Voltage	VREG	2.15	2.3	2.45	V	
Load Stability	ΔV	-	20	100	mV	IVREG=5 mA
Oscillator Block						
Oscillating Frequency 1	FOSC1	475	525	575	KHz	
Oscillating Frequency 2	FOSC2	950	1050	1150	KHz	
Oscillating Frequency 3	FOSC3	1900	2100	2300	KHz	
Under Voltage Lock Out (UVLO) Circuit						
UVLO release voltage	VUVLO1	2.5	2.55	2.6	V	
UVLO detection voltage	VUVLO2	2.0	2.1	2.2	V	
Hysteresis	VHYS_UVL	-	0.45	-	V	
Reset Circuit Block						
Reset Voltage Range	VRST	0.6	*	3.3	V	0.1 V step
Reset Voltage Accuracy	VRST_R1	1.9	2.0	2.1	V	VRST=2.0 V setting
Hysteresis	VHYS_RST	-	0.1	-	V	
Reset Delay time Range	T_Delay2	0	-	40	msec	
FAULT/ PG / RST Signal Output Block						
Output Off Leak Current	IL	-	0	10	μ A	
Output On Resistance	RON_O	-	1	2	k Ω	
Control Signal Block1 SDA, SCL, WPN						
Minimum Output Voltage	VSDA	-	-	0.4	V	ISDA=3 mA
H Level Input Voltage	VIH	1.5	-	-	V	
L Level Input Voltage	VIL	-	-	0.6	V	
WPN Pull Down Resistance	RWPN	70	100	130	k Ω	
Control Signal Block2 EN						
Pull-Down Resistance Value	REN_L	280	400	520	k Ω	EN=Low
	REN_H	420	600	780	k Ω	EN=High
H Level Input Voltage	VENH	1.5	-	-	V	
L Level Input Voltage	VENL	-	-	0.6	V	
Overall						
Standby Current1	ISTB1	-	2.0	5.0	μ A	EN=GND
Standby Current2	ISTB2	-	-	20	μ A	EN=GND (Ta=-40 to +105 °C)
Consumption Current	ICC1	-	2.0	5.0	mA	EN=VIN, No switching

9. EEPROM

Parameter	Symbol	Limits			Unit	Condition
		Min	Typ	Max		
Rewritable cycle	Cyc	100	-	-	Times	TJ<125 °C
Programmable time	Twr	-	-	50	msec	
Data hold years	DHY	20	-	-	Years	TJ<125 °C

Typical Performance Curves

(Unless otherwise specified VIN=3.3V, VDD=2.5V, AVDD=10.5V, VGH=18V, VGL=-6.0V, VCOM=5.25V and Ta=25°C)

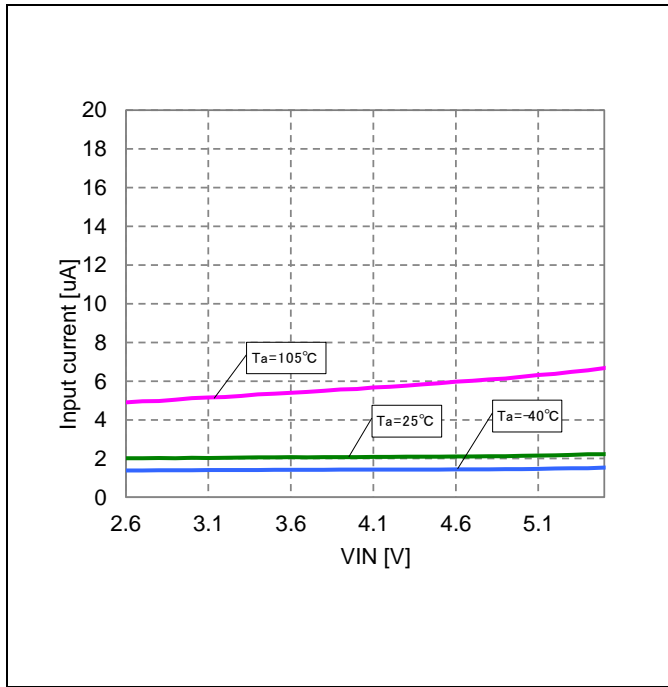


Figure 3. Standby Current(EN=L)

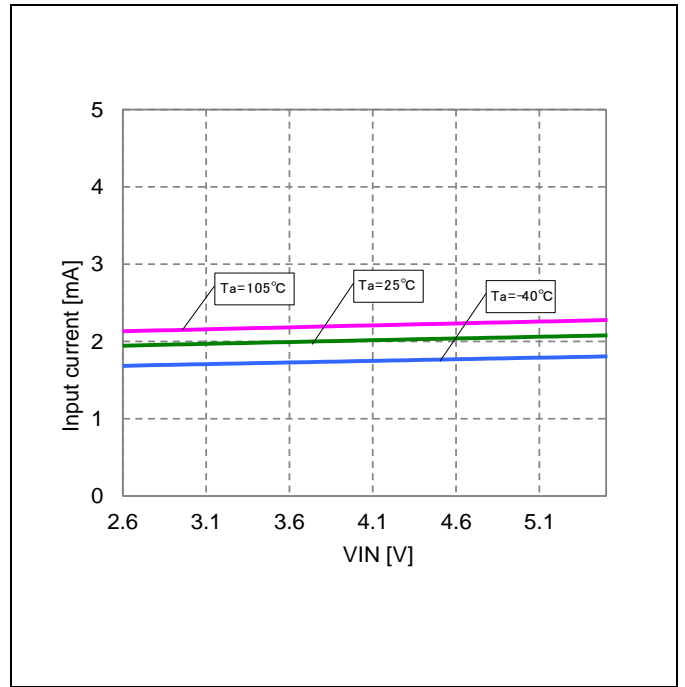


Figure 4. Circuit Current(EN=H, no switching)

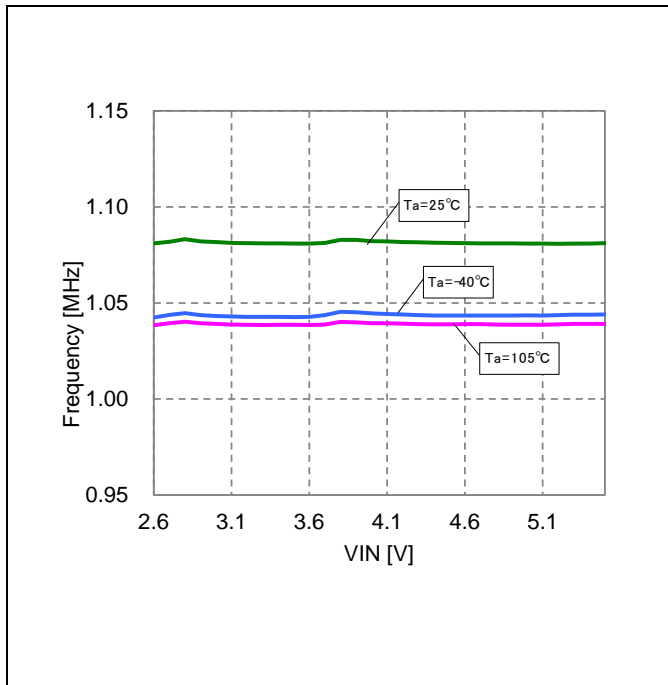


Figure 5. Switching Frequency (Dependent on input voltage)

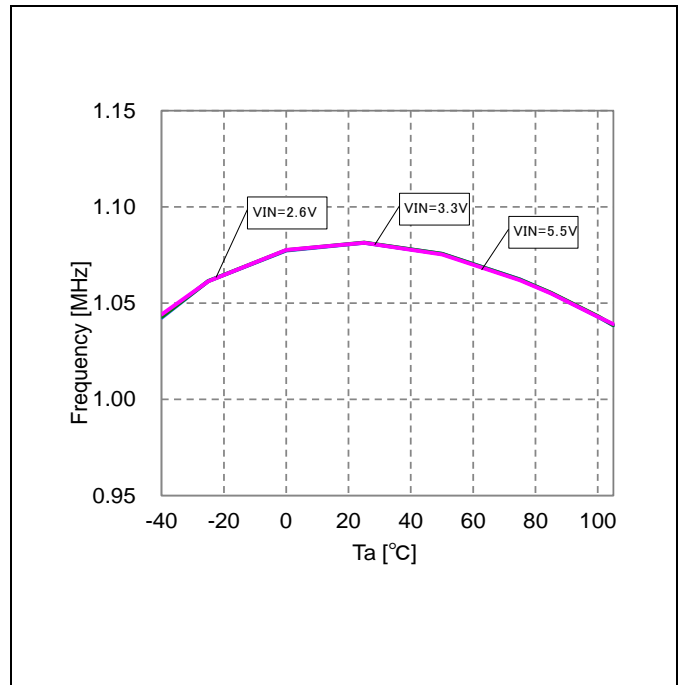


Figure 6. Switching Frequency (Dependent on temperature)

Typical Performance Curves - continued

(Unless otherwise specified VIN=3.3V, VDD=2.5V, AVDD=10.5V, VGH=18V, VGL=-6.0V, VCOM=5.25V and Ta=25°C)

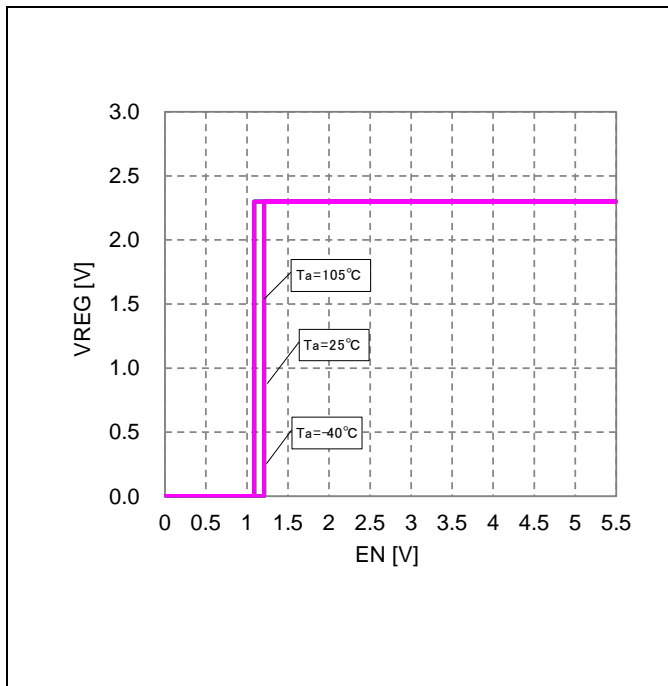


Figure 7. H/L threshold voltage (control signals)

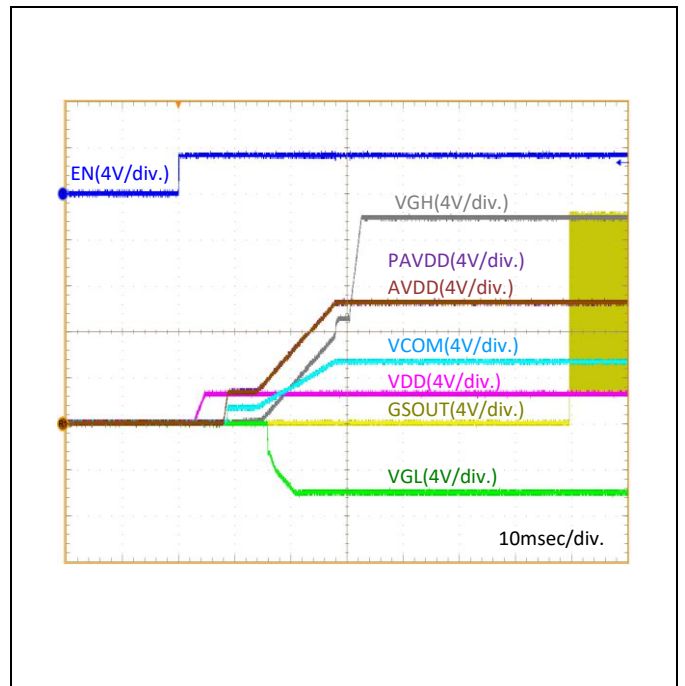


Figure 8. Power on waveform (when operated by EN control, Function select = PG)

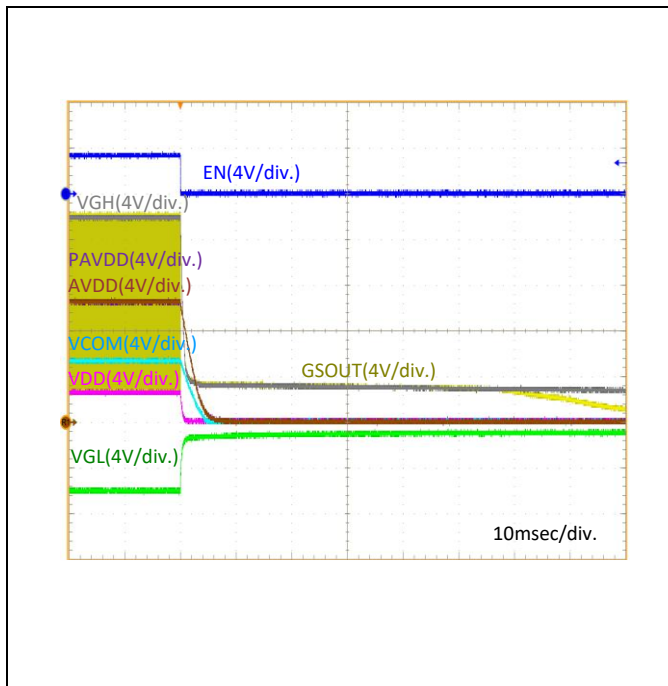


Figure 9. Power off waveform (when operated by EN control, Function select = PG)

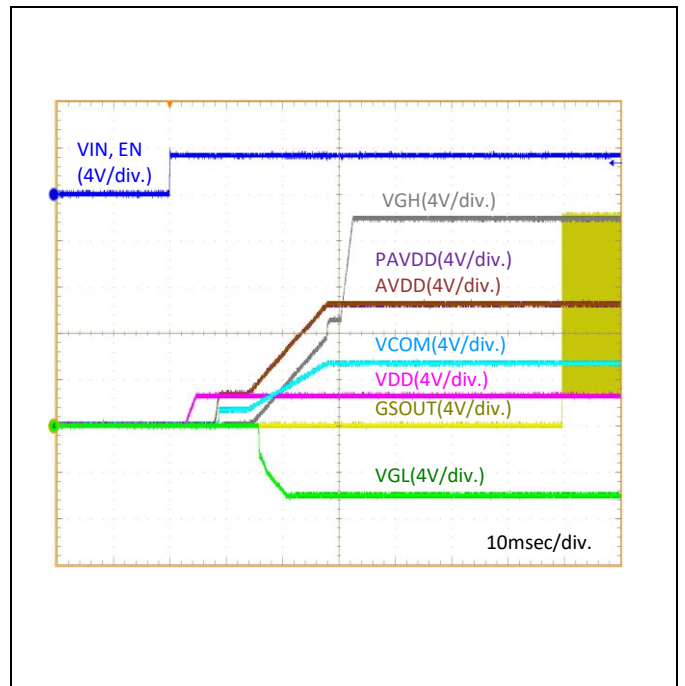


Figure 10. Power on waveform (when operated with EN=VCC, Function select = PG)

Typical Performance Curves - continued

(Unless otherwise specified VIN=3.3V, VDD=2.5V, AVDD=10.5V, VGH=18V, VGL=-6.0V, VCOM=5.25V and Ta=25°C)

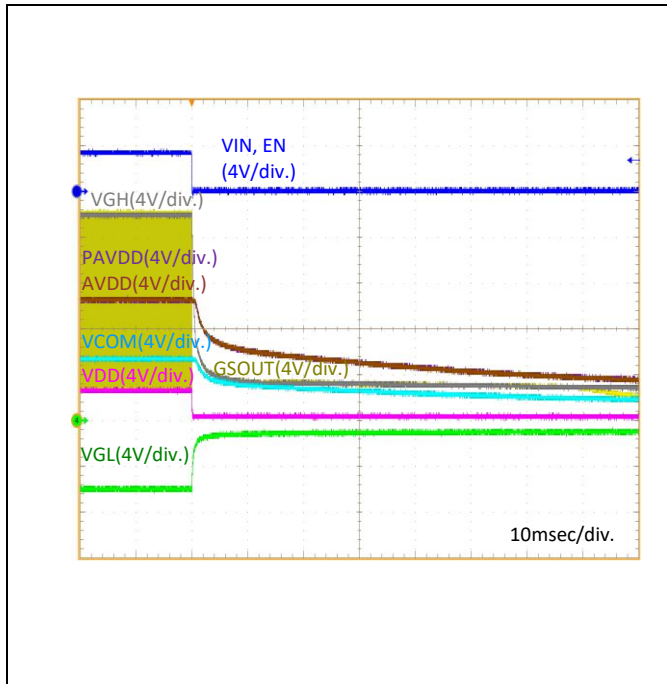


Figure 11. Power off waveform (when operated with EN=VCC, Function select = PG)

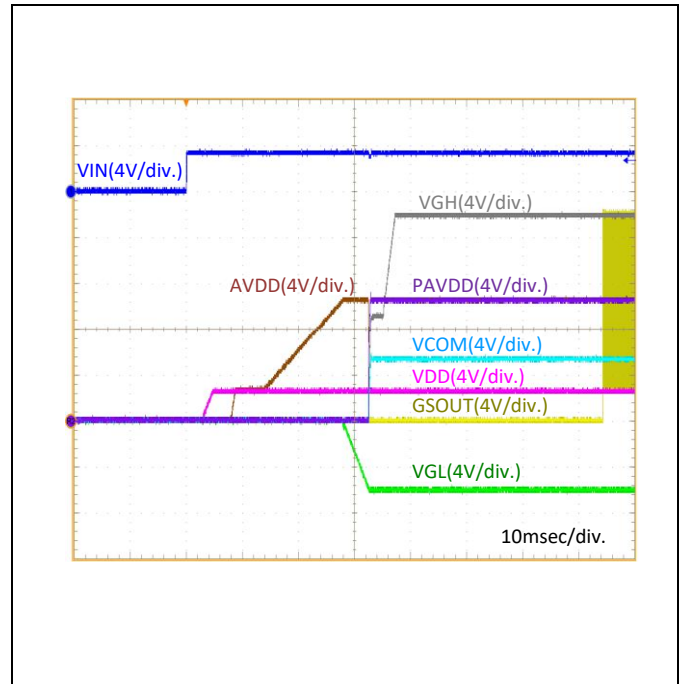


Figure 12. Power on waveform (when operated by EN control, Function select = LDSW)

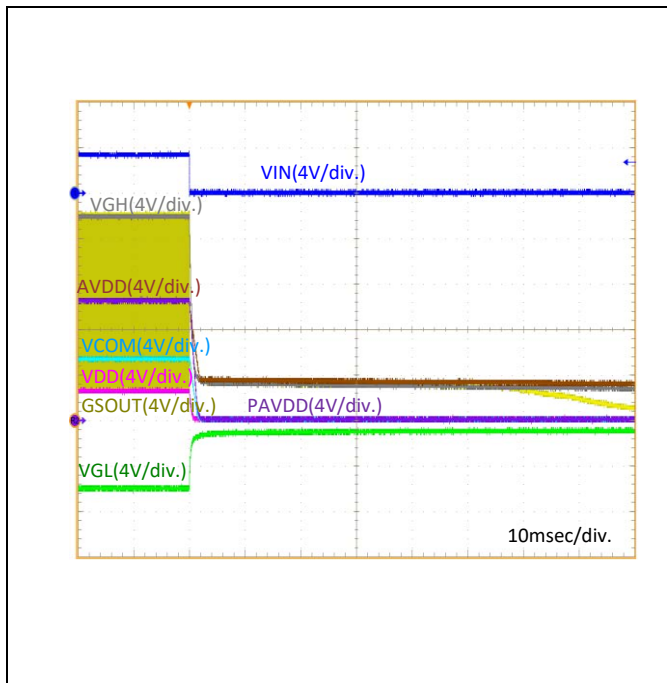


Figure 13. Power off waveform (when operated by EN control, Function select = LDSW)

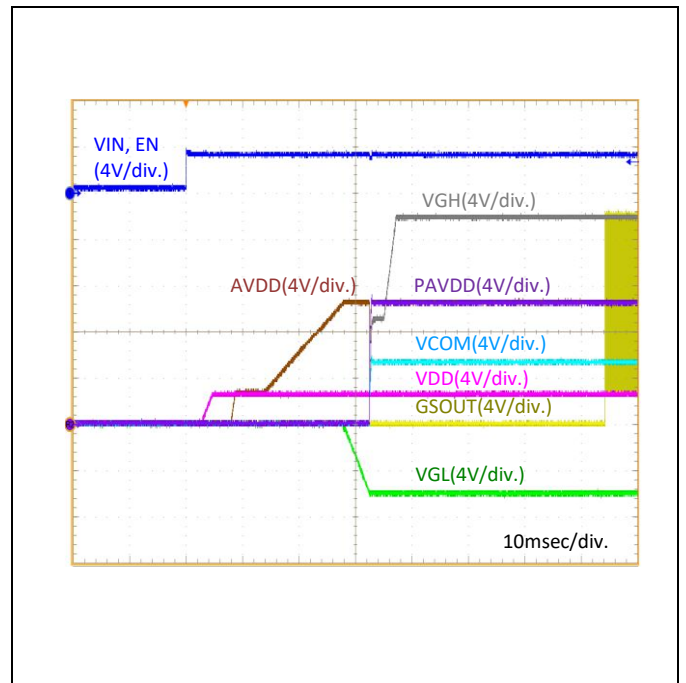


Figure 14. Power on waveform (when operated with EN=VCC, Function select = LDSW)

Typical Performance Curves - continued

(Unless otherwise specified VIN=3.3V, VDD=2.5V, AVDD=10.5V, VGH=18V, VGL=-6.0V, VCOM=5.25V and Ta=25°C)

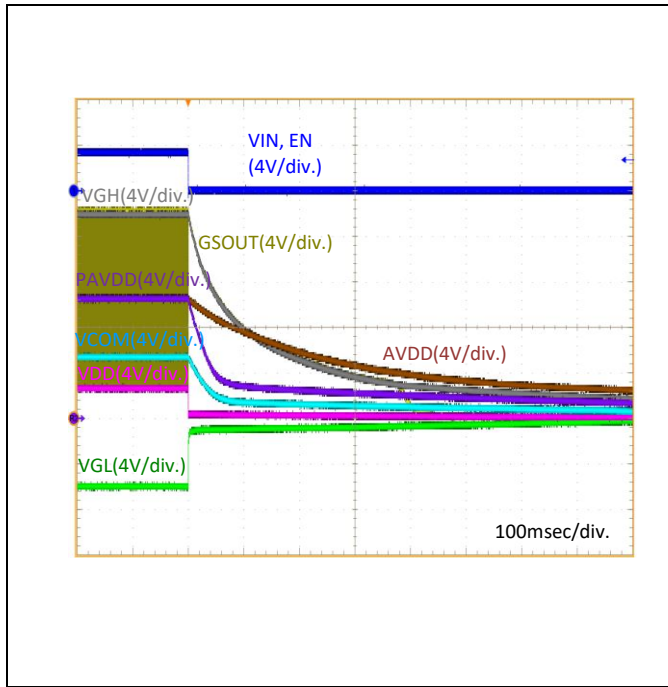


Figure 15. Power off waveform (when operated with EN=VCC, Function select = LDSW)

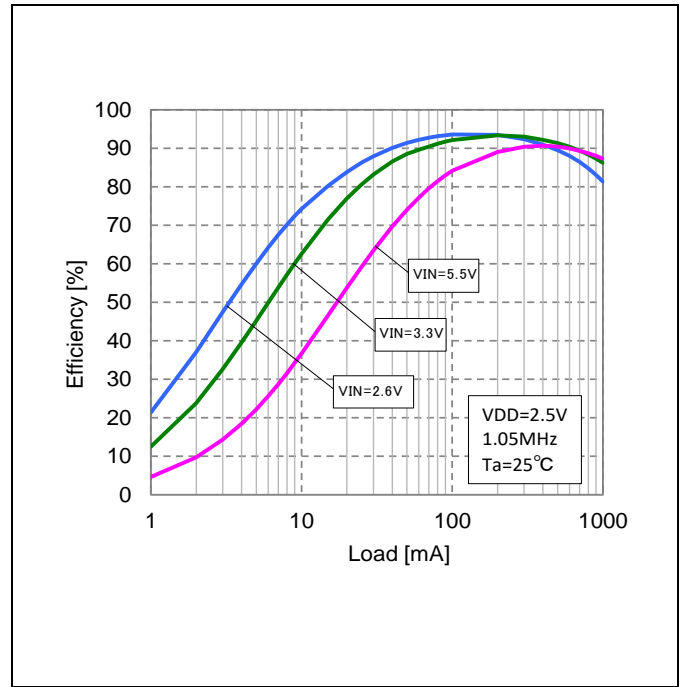


Figure 16. Efficiency (VDD DC/DC mode)

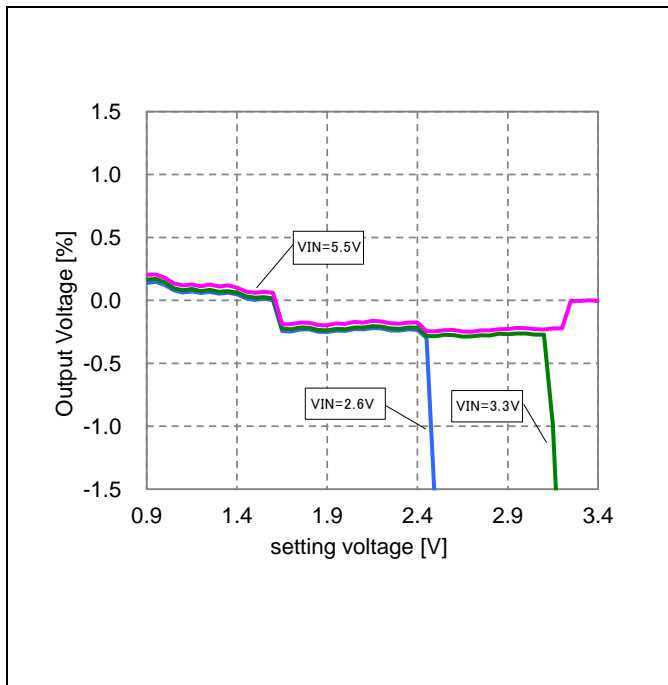


Figure 17. Output voltage accuracy (VDD DC/DC mode, dependent on input voltage)

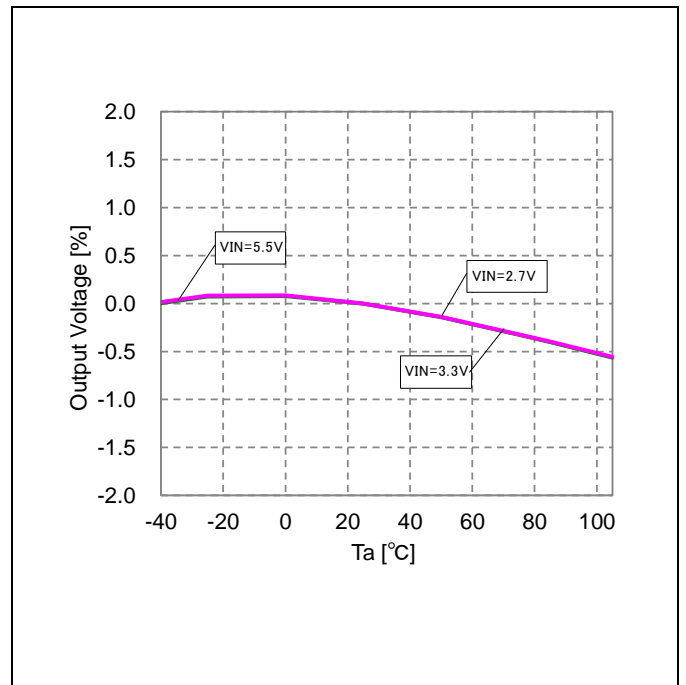


Figure 18. Output voltage accuracy (VDD DC/DC mode, dependent on temperature)

Typical Performance Curves - continued

(Unless otherwise specified VIN=3.3V, VDD=2.5V, AVDD=10.5V, VGH=18V, VGL=-6.0V, VCOM=5.25V and Ta=25°C)

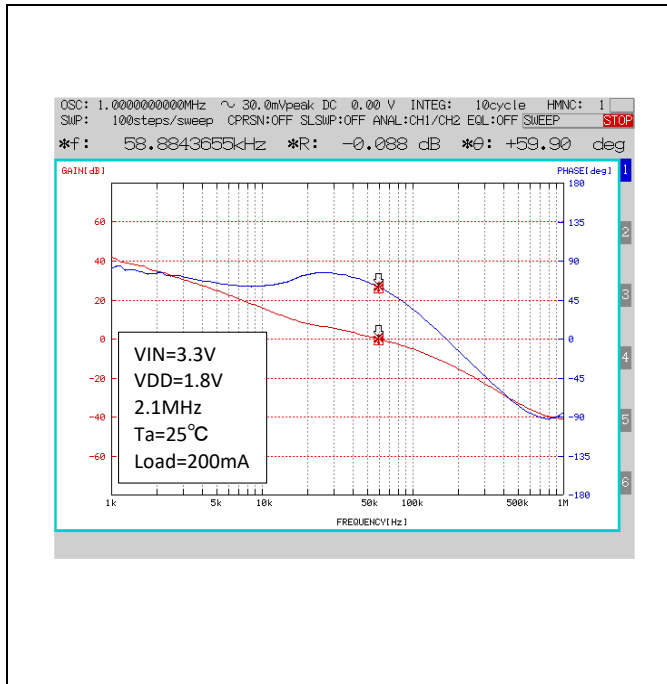


Figure 19. Phase margin (VDD DC/DC mode)

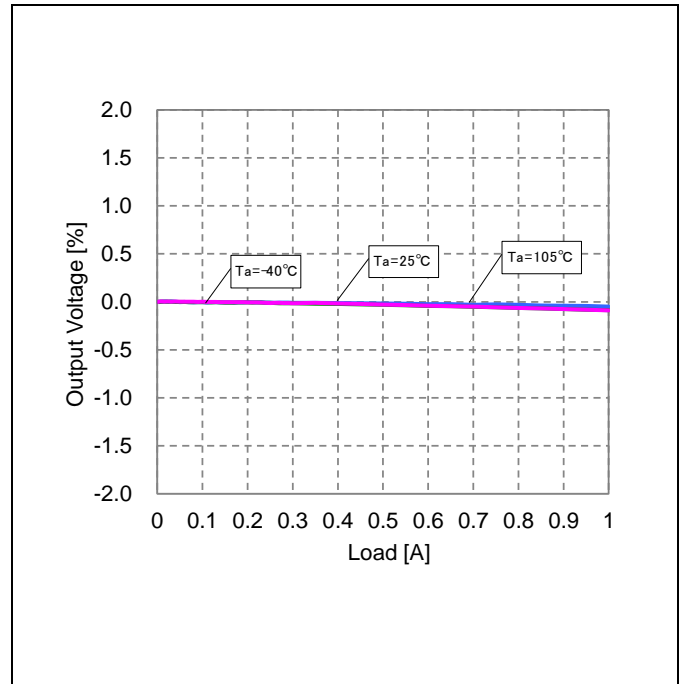


Figure 20. Load Regulation (VDD DC/DC mode)

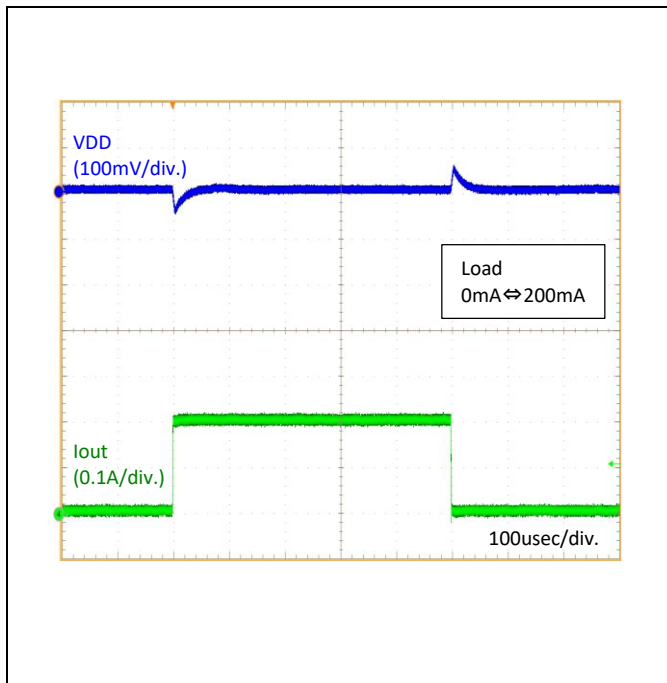


Figure 21. Load Transient (VDD DC/DC mode)

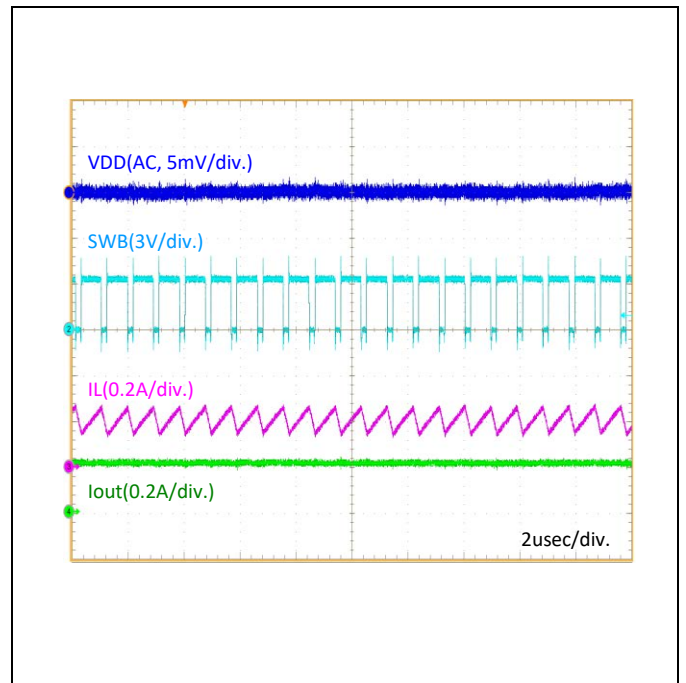


Figure 22. Switching waveform (VDD DC/DC mode)

Typical Performance Curves - continued

(Unless otherwise specified VIN=3.3V, VDD=2.5V, AVDD=10.5V, VGH=18V, VGL=-6.0V, VCOM=5.25V and Ta=25°C)

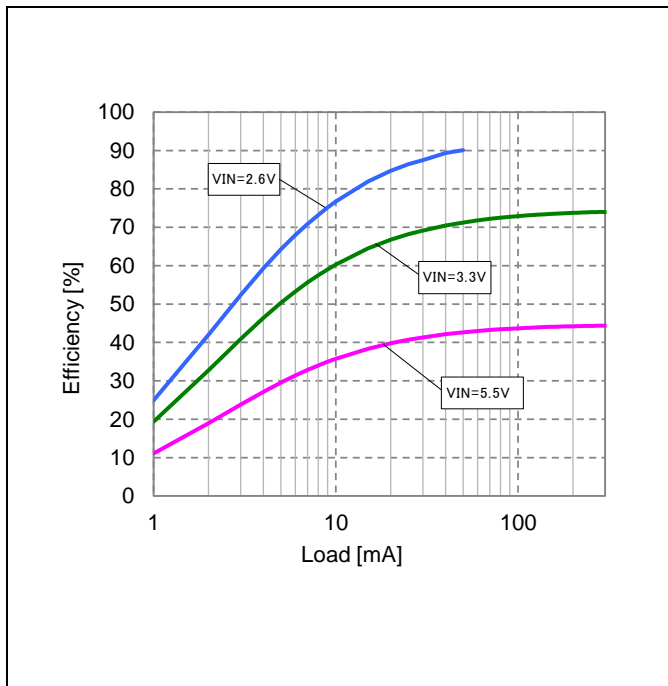


Figure 23. Efficiency (VDD LDO mode)

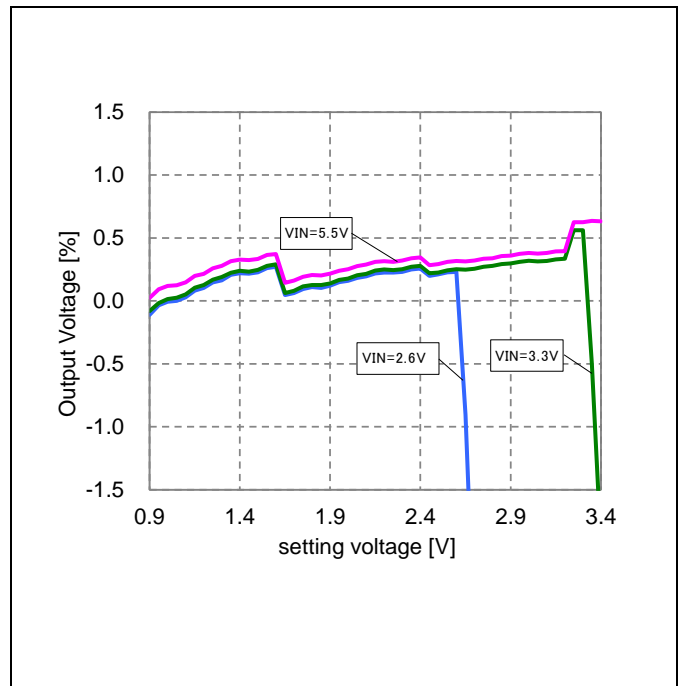


Figure 24. Output voltage accuracy (VDD LDO mode, dependent on input voltage)

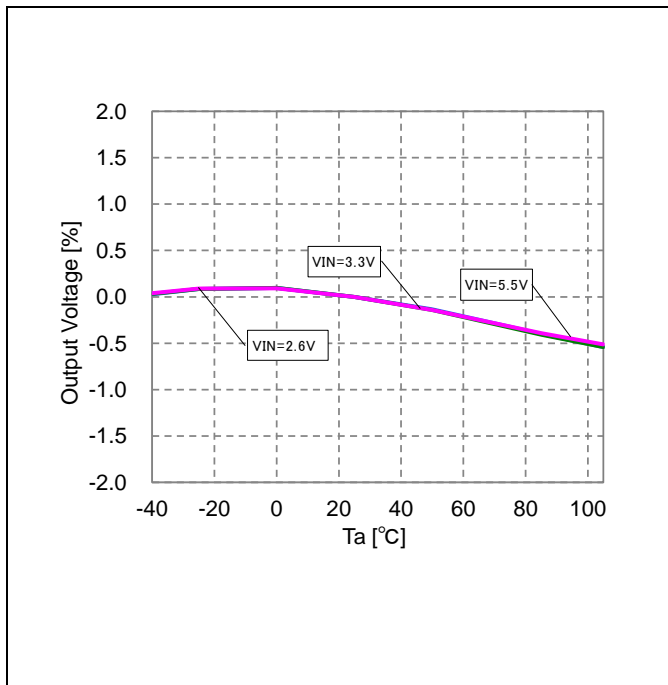


Figure 25. Output voltage accuracy (VDD LDO mode, dependent on temperature)

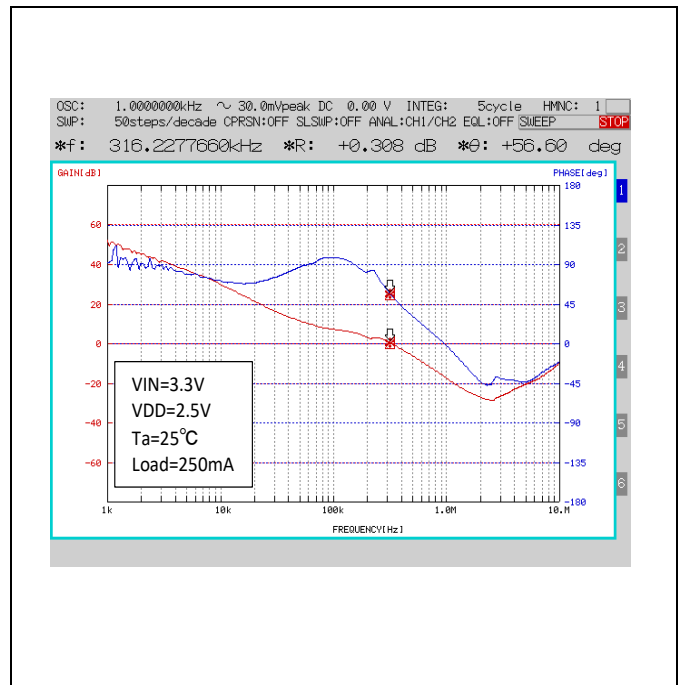


Figure 26. Phase margin (VDD LDO mode)

Typical Performance Curves - continued

(Unless otherwise specified VIN=3.3V, VDD=2.5V, AVDD=10.5V, VGH=18V, VGL=-6.0V, VCOM=5.25V and Ta=25°C)

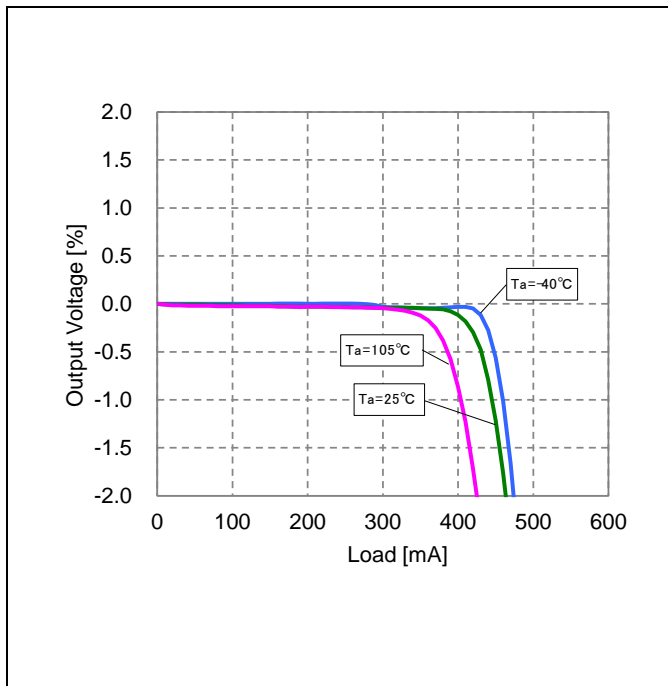


Figure 27. Load Regulation (VDD LDO mode)

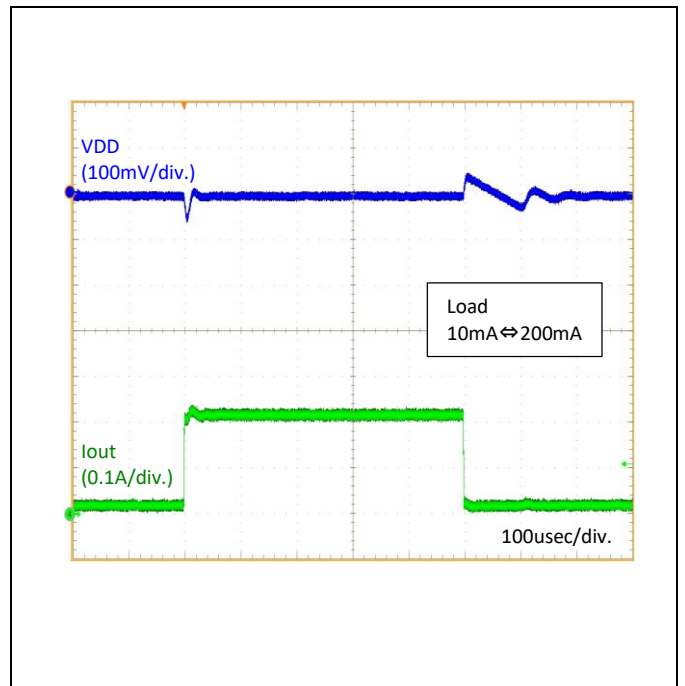


Figure 28. Load Transient (VDD LDO mode)

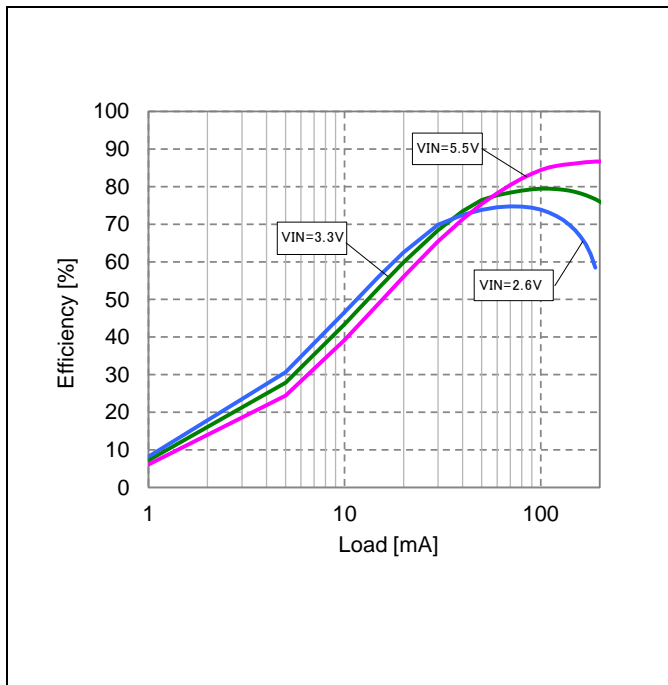


Figure 29. Efficiency (AVDD)

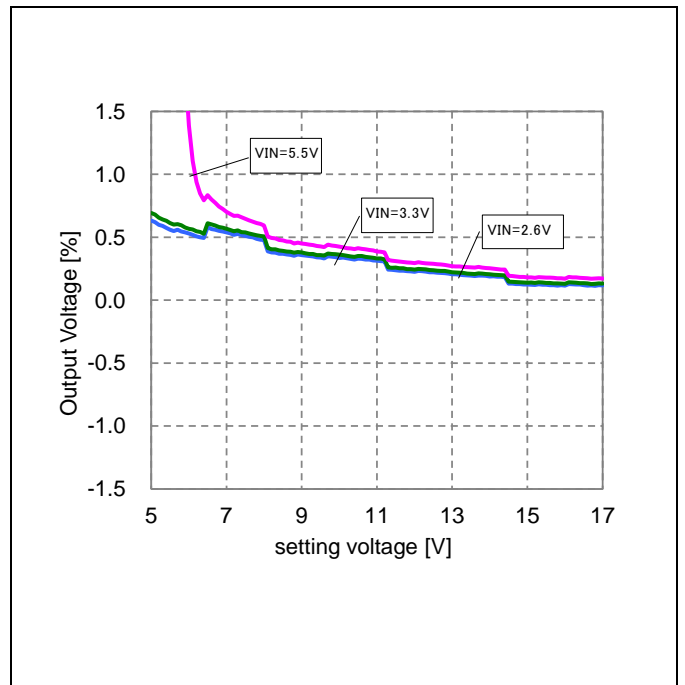


Figure 30. Output voltage accuracy (AVDD, dependent on input voltage)

Typical Performance Curves - continued

(Unless otherwise specified VIN=3.3V, VDD=2.5V, AVDD=10.5V, VGH=18V, VGL=-6.0V, VCOM=5.25V and Ta=25°C)

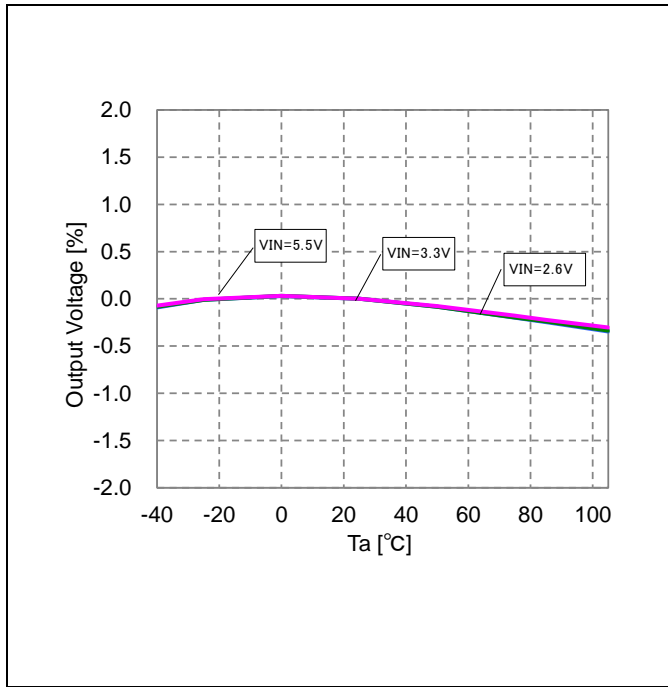


Figure 31. Output voltage accuracy (AVDD, dependent on temperature)

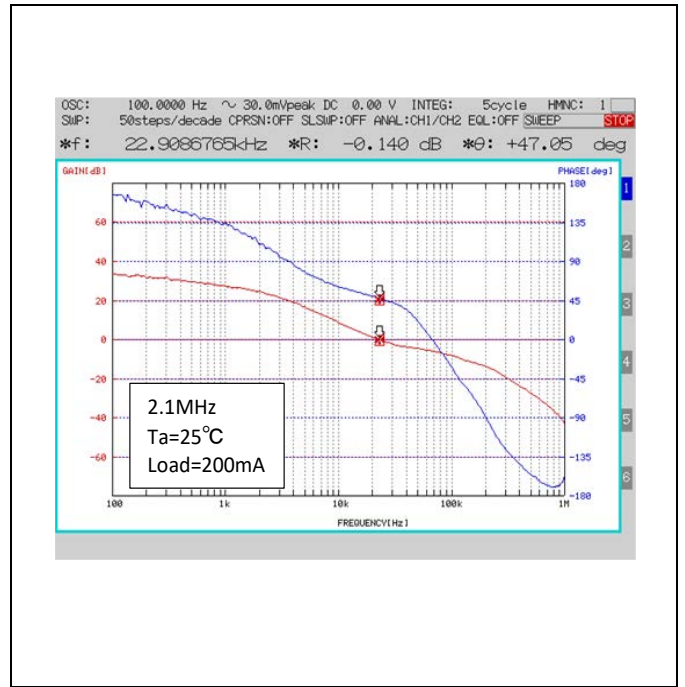


Figure 32. Phase margin (AVDD)

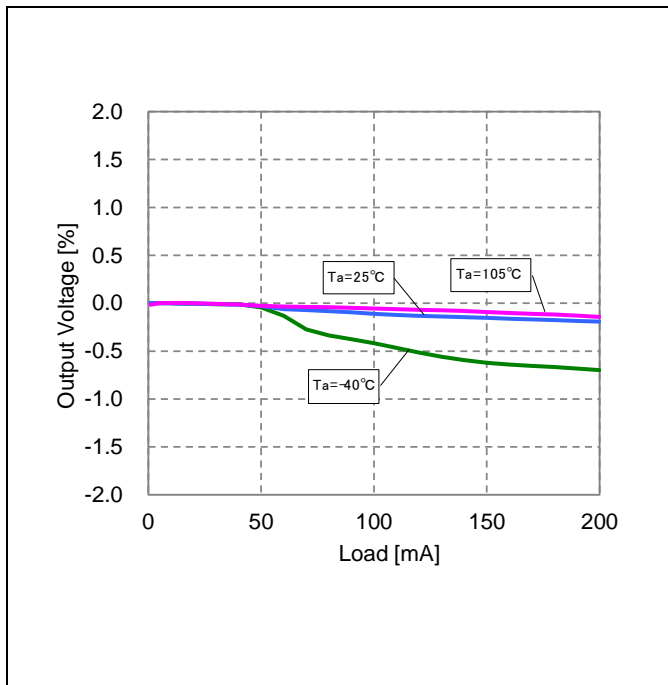


Figure 33. Load Regulation (AVDD)

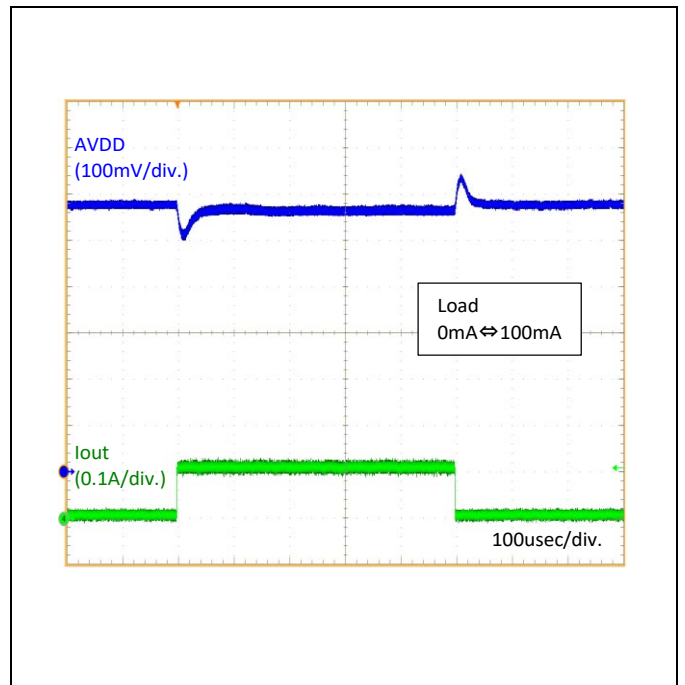


Figure 34. Load Transient (AVDD)

Typical Performance Curves - continued

(Unless otherwise specified VIN=3.3V, VDD=2.5V, AVDD=10.5V, VGH=18V, VGL=-6.0V, VCOM=5.25V and Ta=25°C)

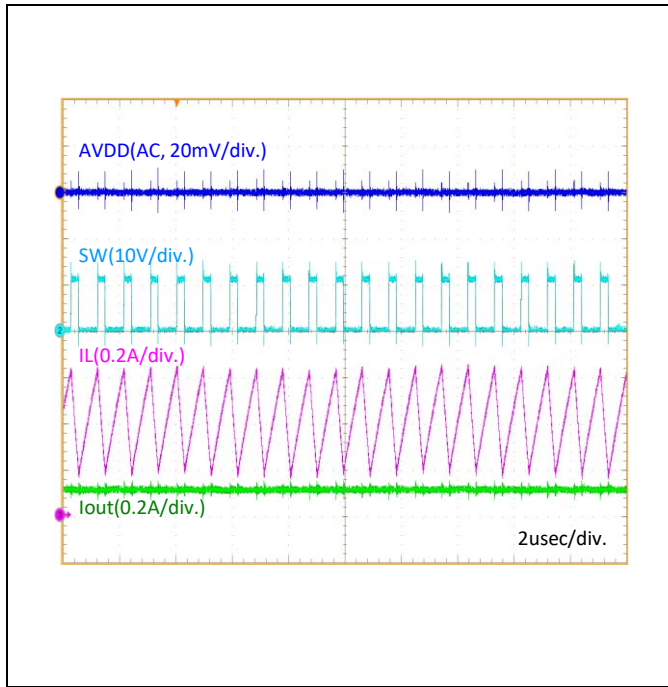


Figure 35. Switching waveform (AVDD)

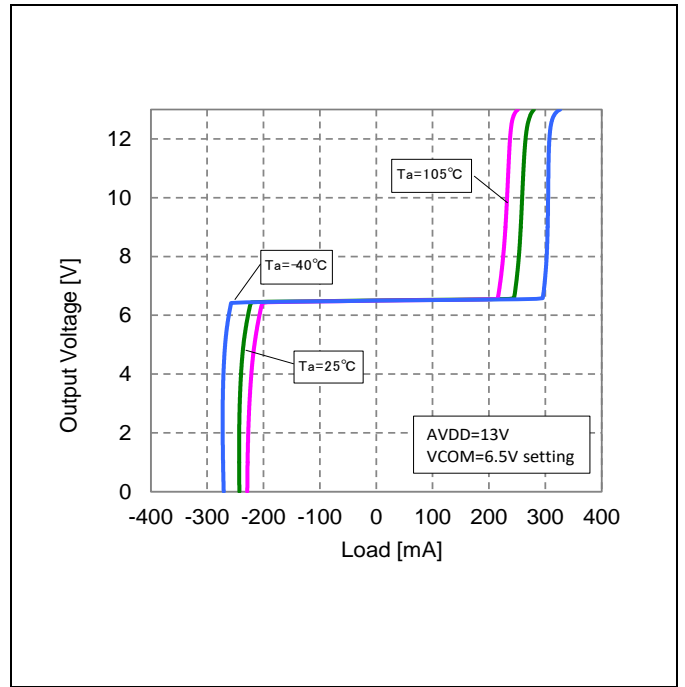


Figure 36. Output Current (VCOM)

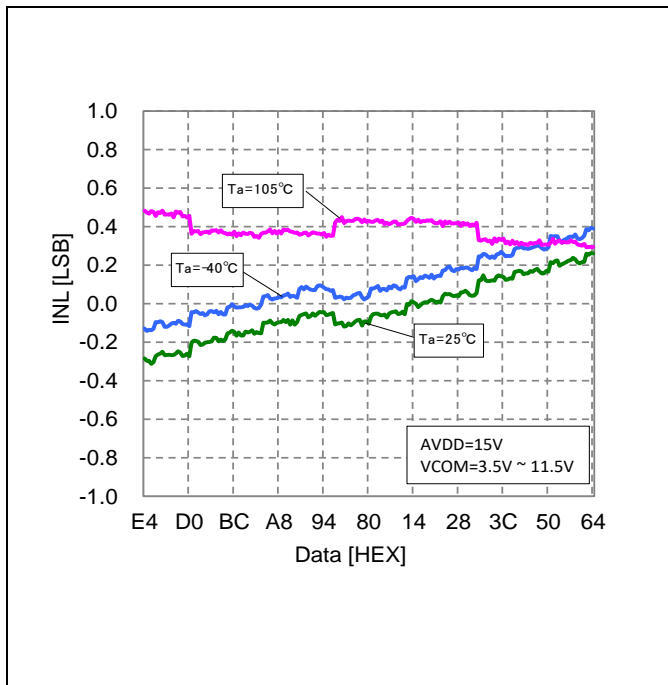


Figure 37. DAC INL (VCOM)

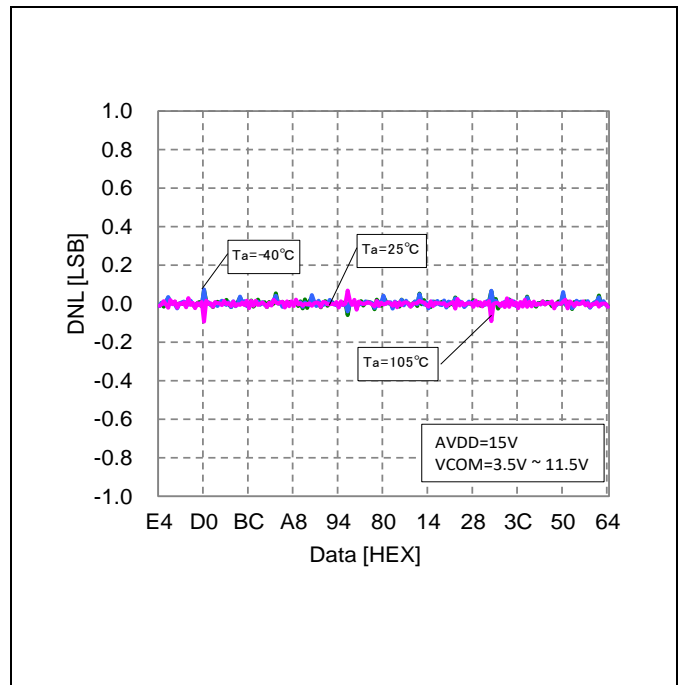


Figure 38. DAC DNL (VCOM)

Typical Performance Curves - continued

(Unless otherwise specified VIN=3.3V, VDD=2.5V, AVDD=10.5V, VGH=18V, VGL=-6.0V, VCOM=5.25V and Ta=25°C)

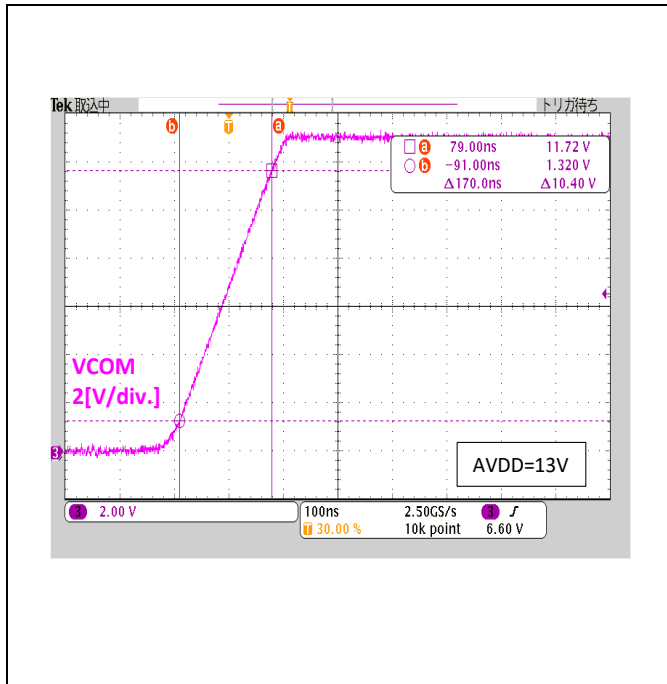


Figure 39. Slew Rate (VCOM, rise)

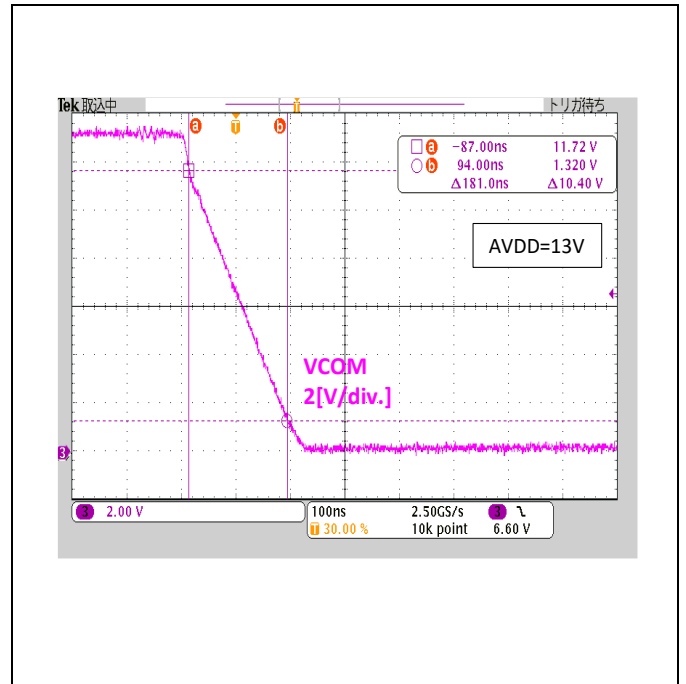


Figure 40. Slew Rate (VCOM, fall)

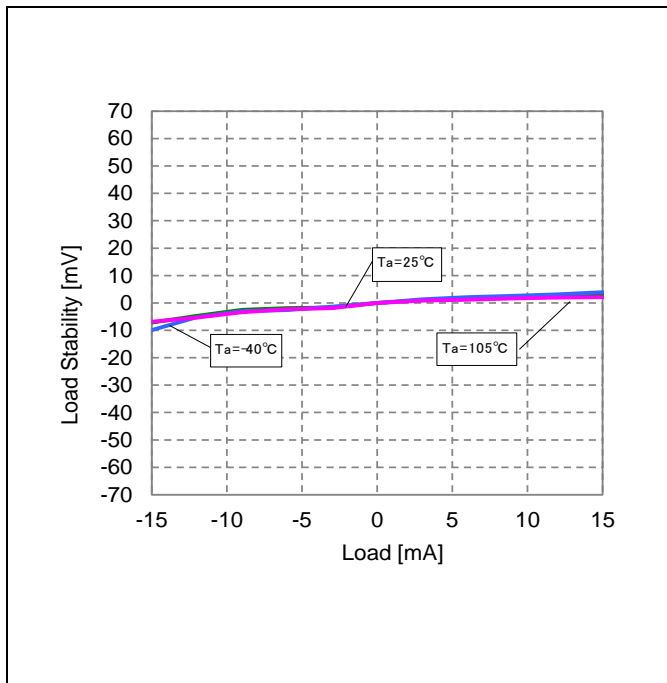


Figure 41. Load Regulation (VCOM)

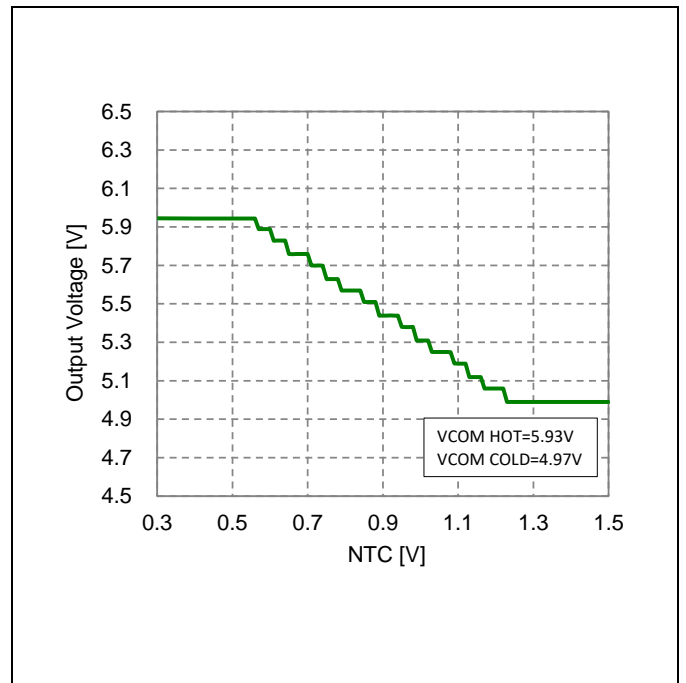


Figure 42. NTC Function (VCOM)

Typical Performance Curves - continued

(Unless otherwise specified $V_{IN}=3.3V$, $V_{DD}=2.5V$, $AV_{DD}=10.5V$, $V_{GH}=18V$, $V_{GL}=-6.0V$, $V_{COM}=5.25V$ and $T_a=25^\circ C$)

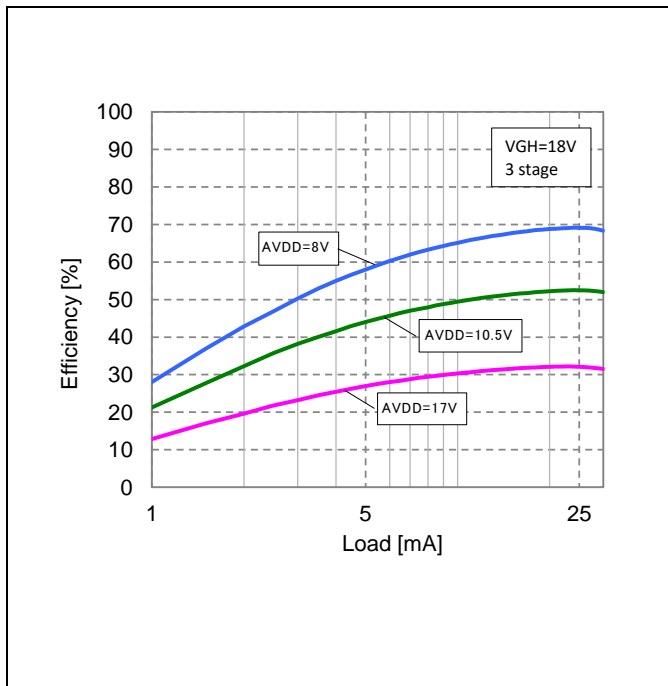


Figure 43. Efficiency (VGH)

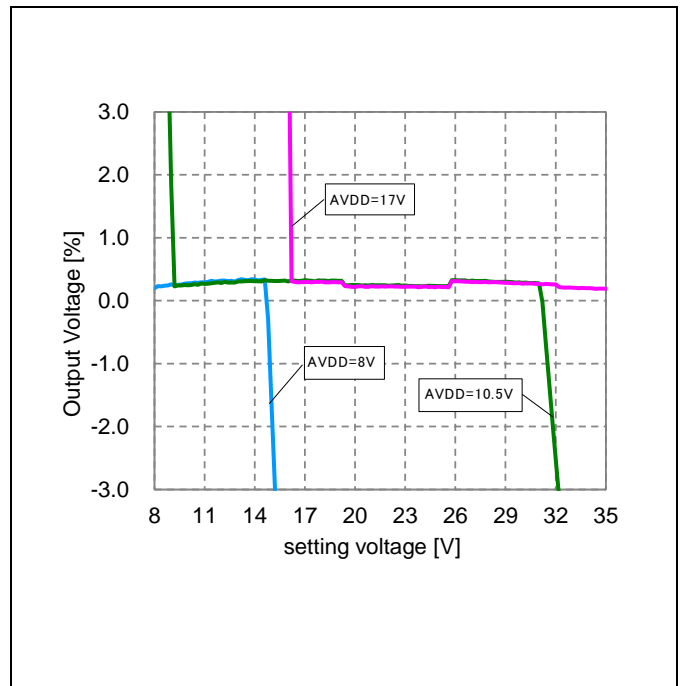


Figure 44. Output voltage accuracy (VGH, dependent on input voltage)

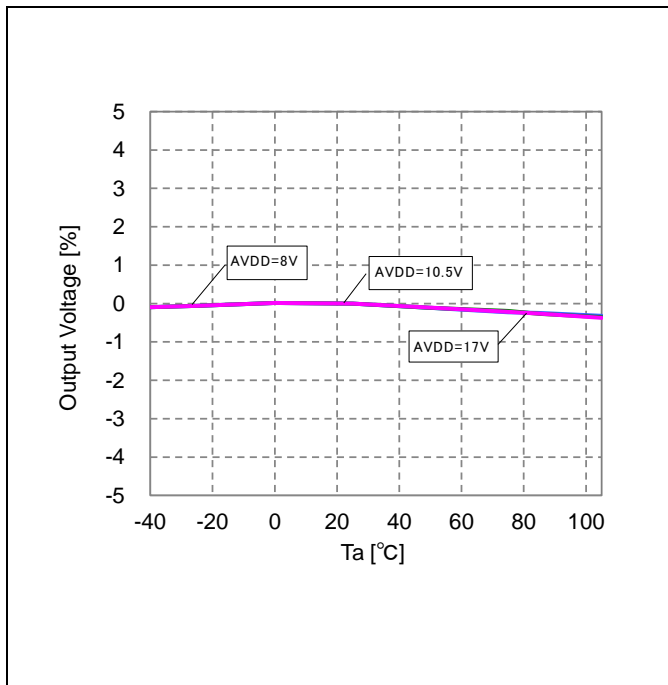


Figure 45. Output voltage accuracy (VGH, dependent on temperature)

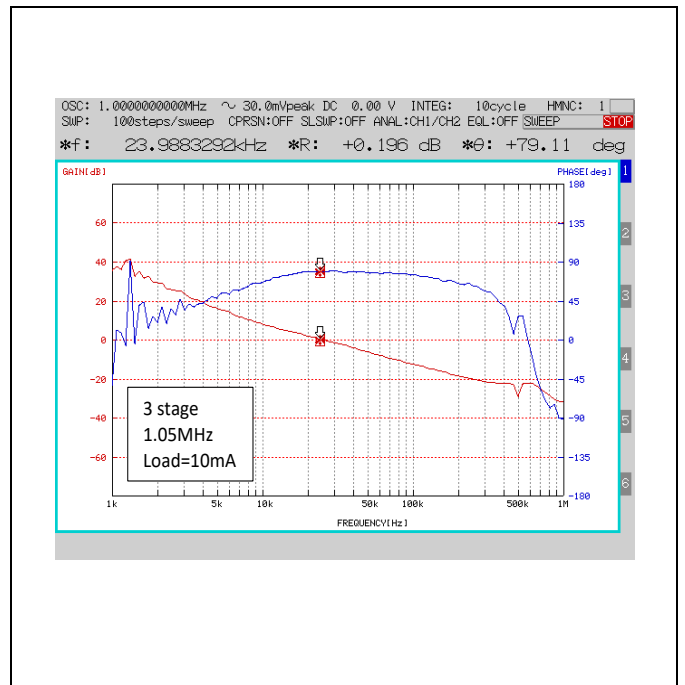


Figure 46. Phase margin (VGH)

Typical Performance Curves - continued

(Unless otherwise specified VIN=3.3V, VDD=2.5V, AVDD=10.5V, VGH=18V, VGL=-6.0V, VCOM=5.25V and Ta=25°C)

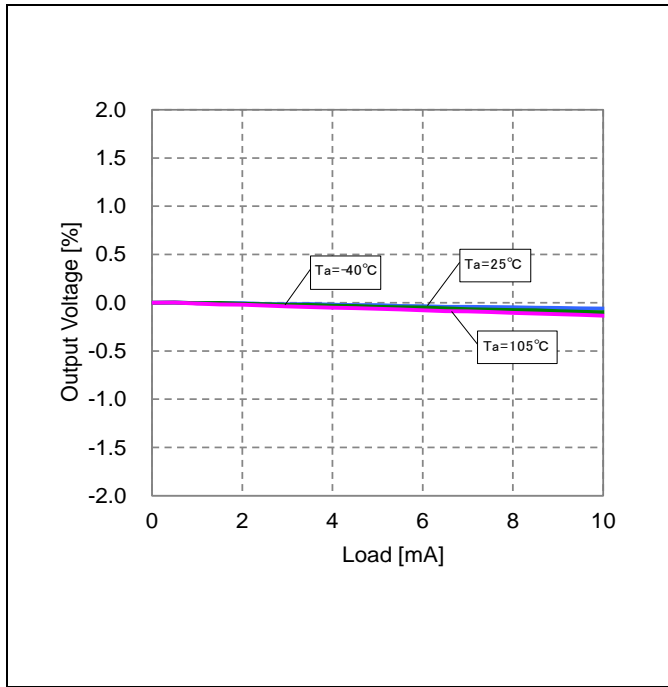


Figure 47. Load Regulation (VGH)

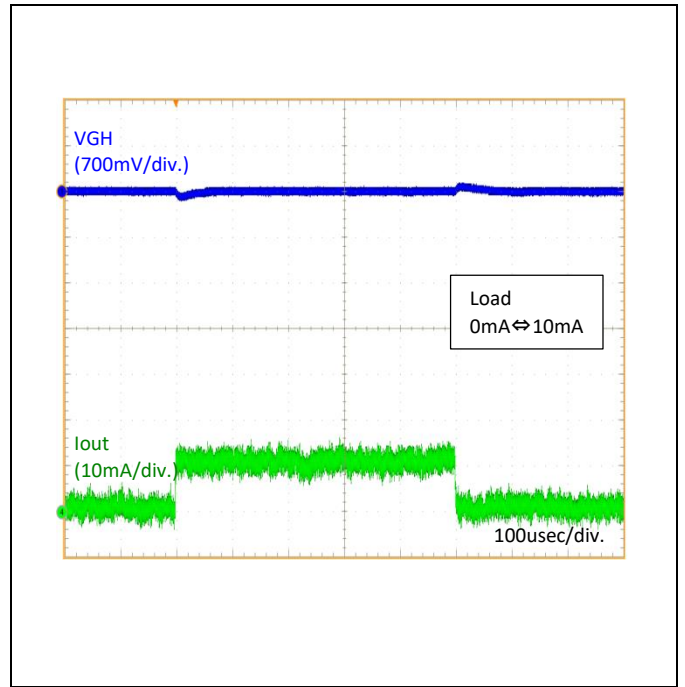


Figure 48. Load Transient (VGH)

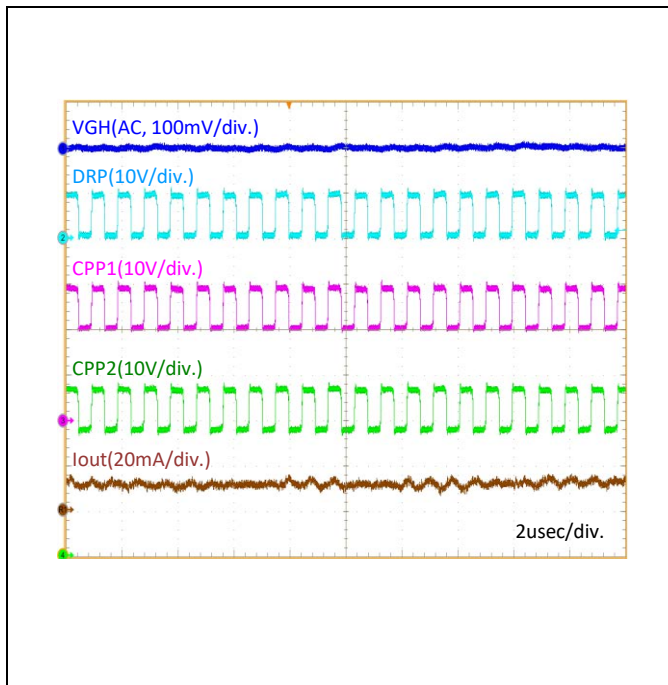


Figure 49. Switching waveform (VGH)

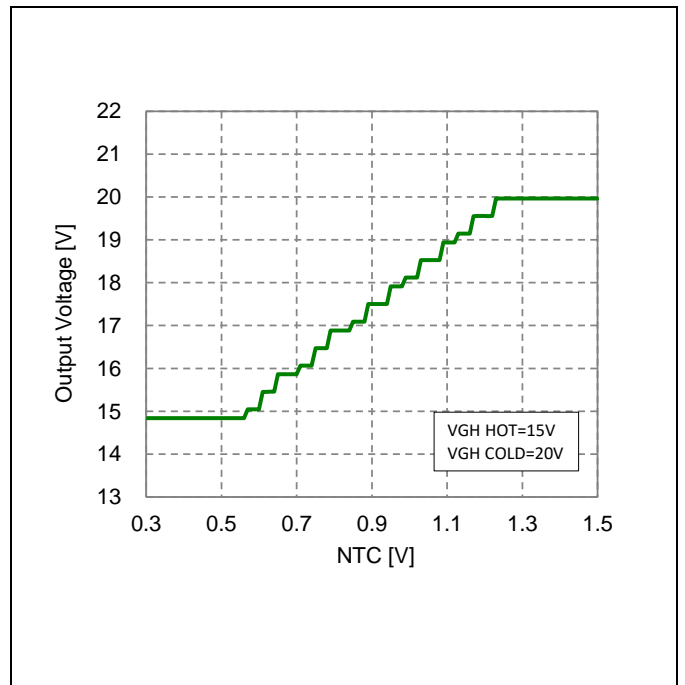


Figure 50. NTC Function (VGH)

Typical Performance Curves - continued

(Unless otherwise specified VIN=3.3V, VDD=2.5V, AVDD=10.5V, VGH=18V, VGL=-6.0V, VCOM=5.25V and Ta=25°C)

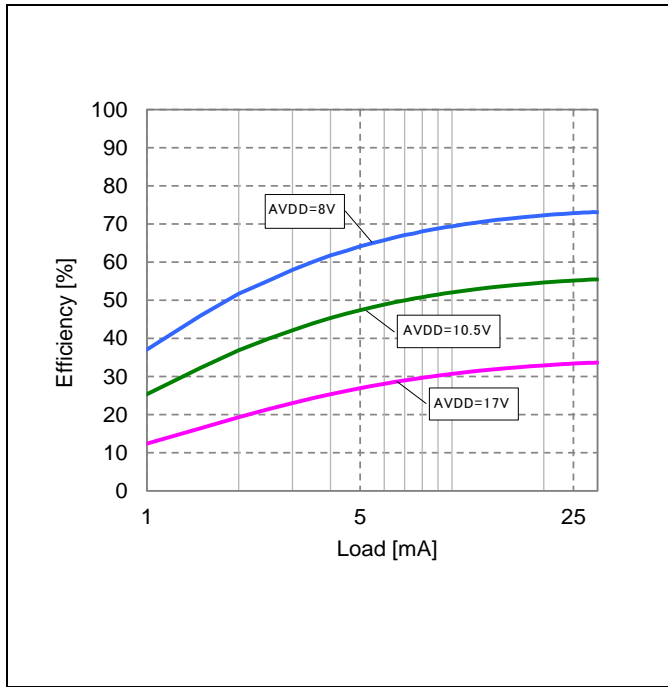


Figure 51. Efficiency (VGL)

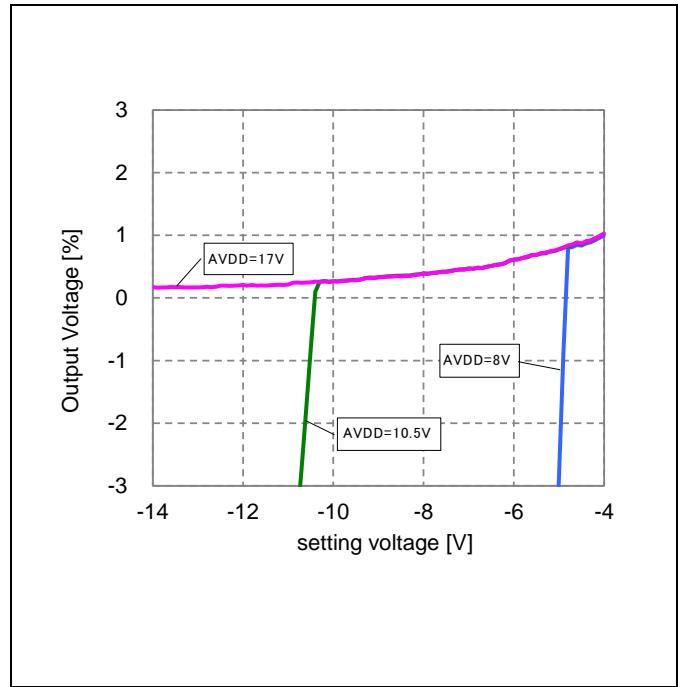


Figure 52. Output voltage accuracy (VGL, dependent on input voltage)

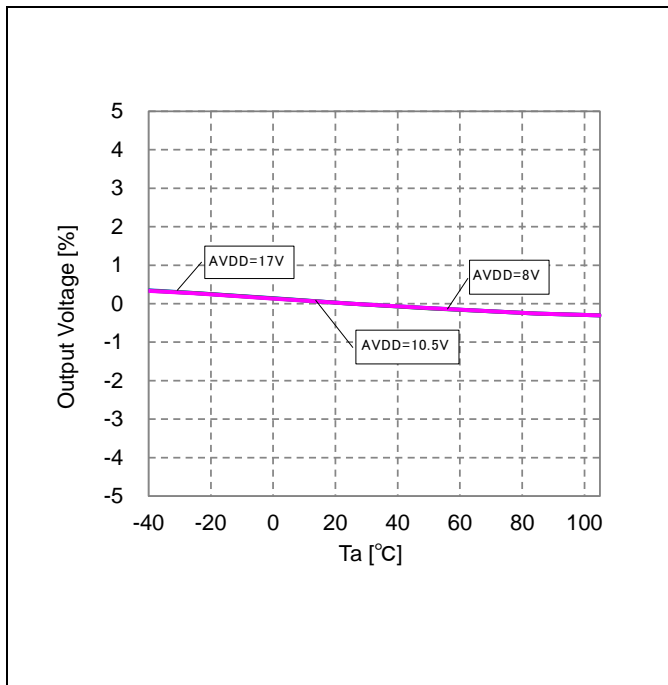


Figure 53. Output voltage accuracy (VGL, dependent on temperature)

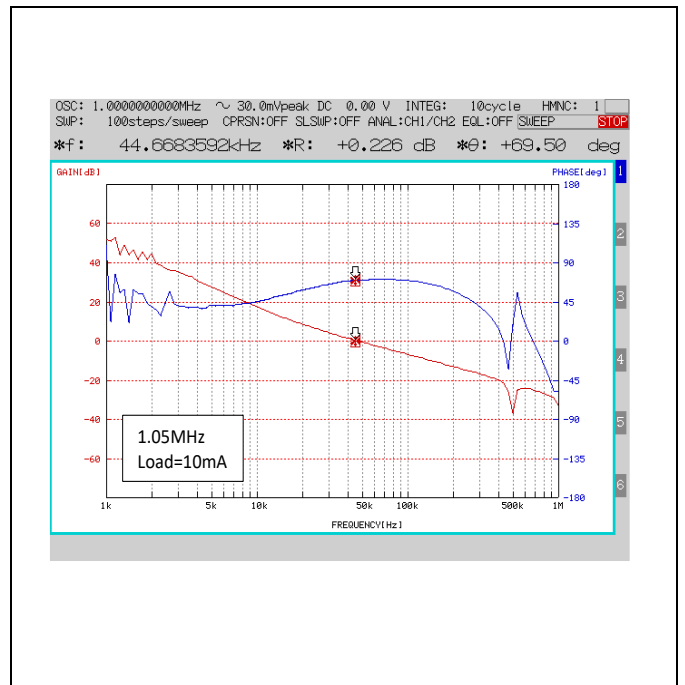


Figure 54. Phase margin (VGL)

Typical Performance Curves - continued

(Unless otherwise specified VIN=3.3V, VDD=2.5V, AVDD=10.5V, VGH=18V, VGL=-6.0V, VCOM=5.25V and Ta=25°C)

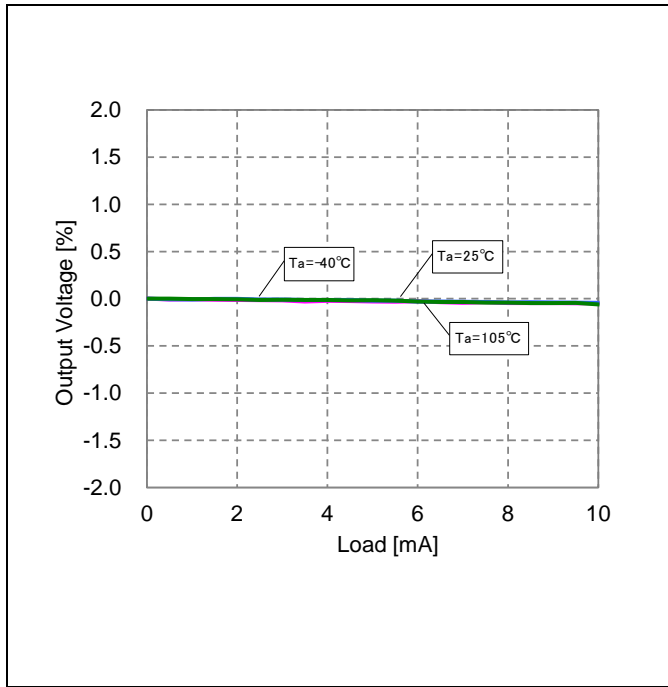


Figure 55. Load Regulation (VGL)

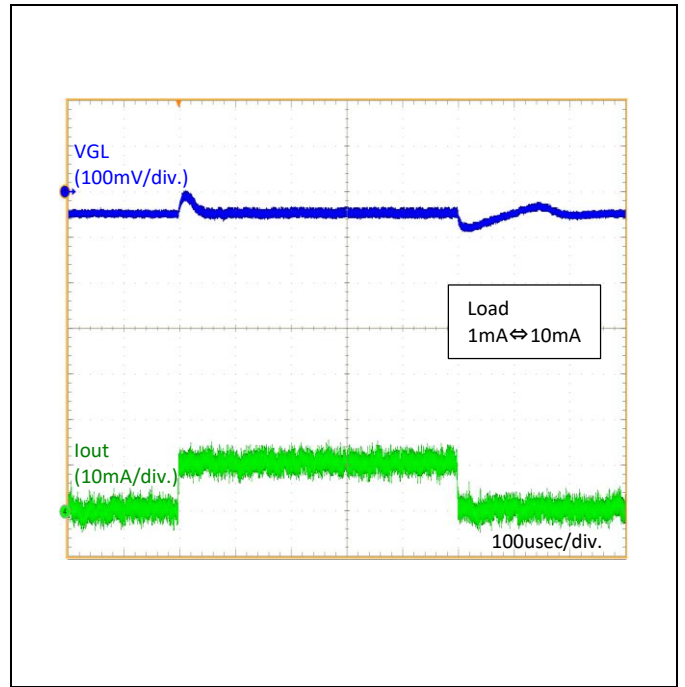


Figure 56. Load Transient (VGL)

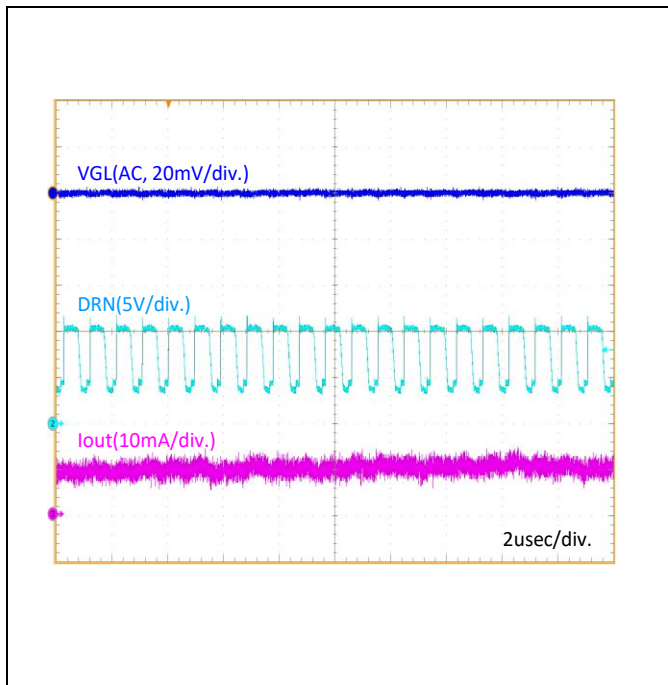


Figure 57. Switching waveform (VGL)

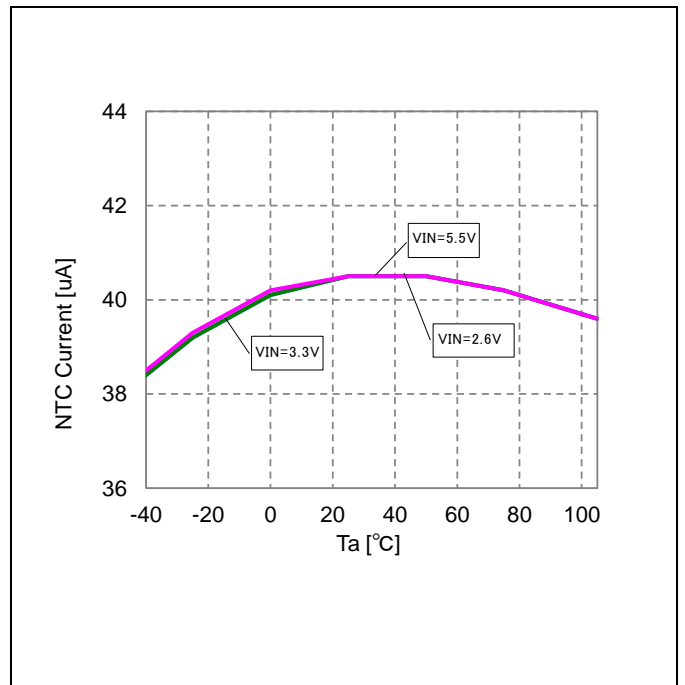


Figure 58. NTC current

Typical Performance Curves - continued

(Unless otherwise specified VIN=3.3V, VDD=2.5V, AVDD=10.5V, VGH=18V, VGL=-6.0V, VCOM=5.25V and Ta=25°C)

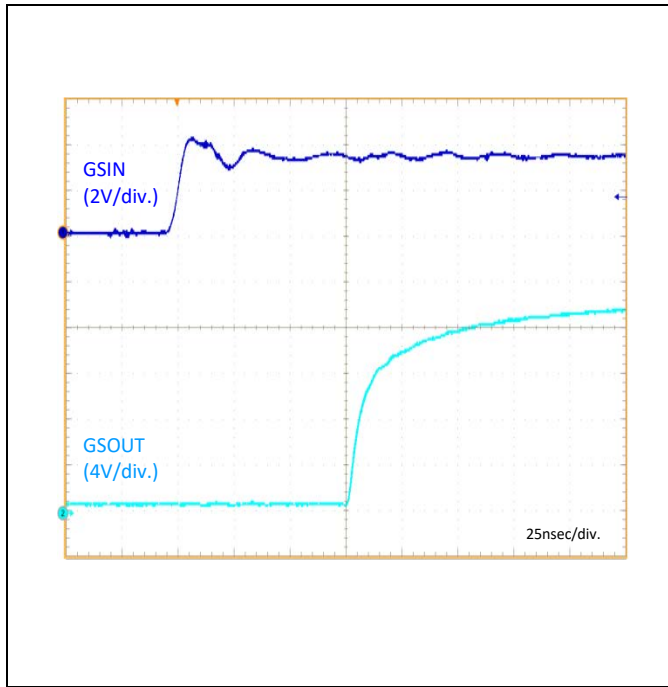


Figure 59. Propagation Delay (GPM, rise)

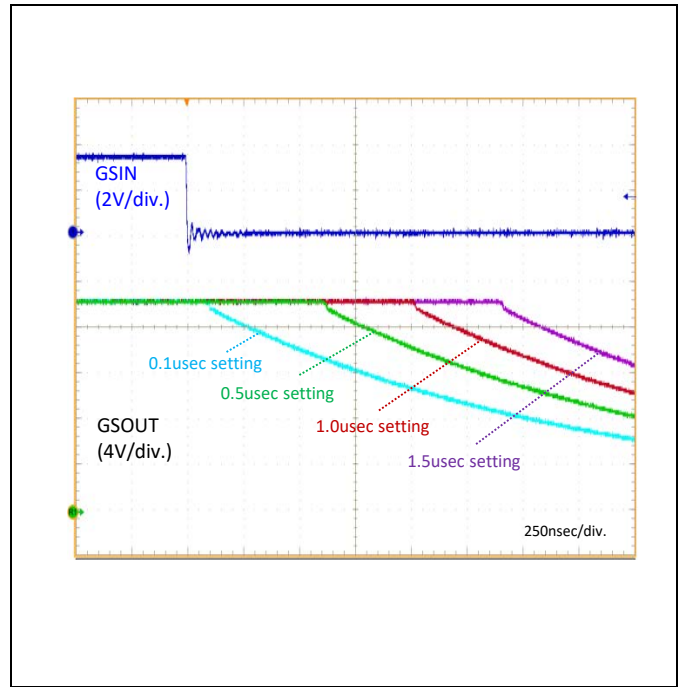


Figure 60. Propagation Delay (GPM, fall)

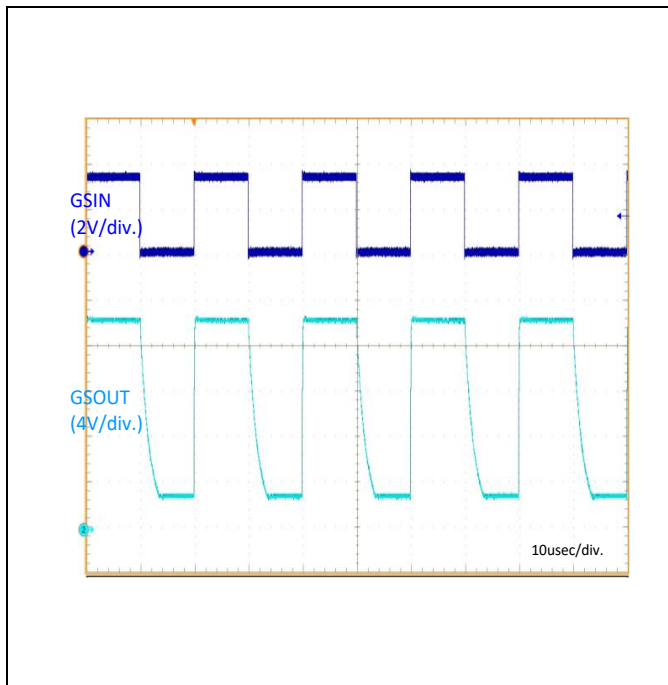


Figure 61. Waveform (GPM)

Application Example 1 (when operated by EN control)

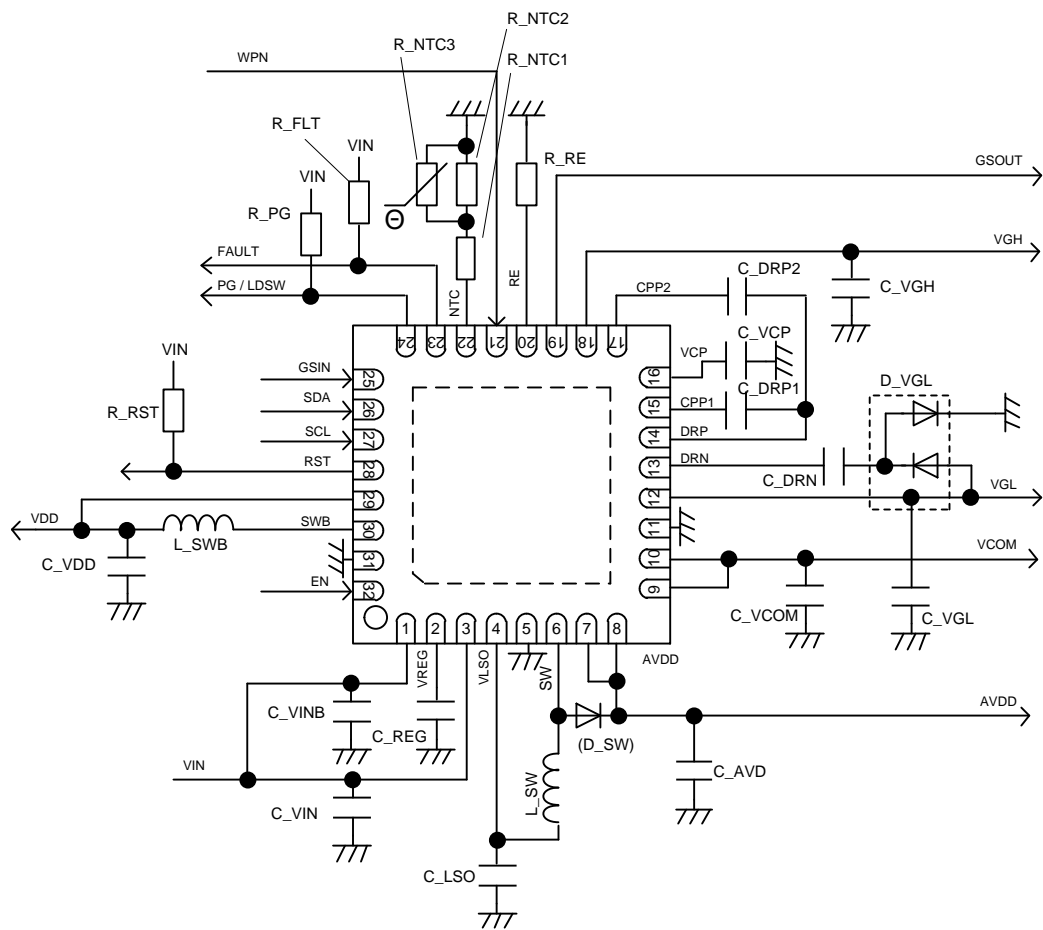


Figure 62. Application Circuit
(Function Select = PG)

Application Example 1 (when operated by EN control) – continued

Application circuit components list

(Unless otherwise specified VIN=3.3V, VDD=2.5V, AVDD=10.5V, VGH=18V, VGL=-6.0V, VCOM=5.25V)

Parts name	Value			Unit	Company	Parts Number	Comment
	Min (Note 1)	Typ	Max				
C_VIN	10	10 x 2	-	μF	MURATA	GRT21BC81A106KE01	
C_VINB	4.7	10	-	μF	MURATA	GRT21BC81A106KE01	No need @ VDD LDO mode
C_REG	0.047	0.1	0.47	μF	MURATA	GRT188R71H104KE13	
C_LSO	10	10 x 2	-	μF	MURATA	GRT21BC81A106KE01	
C_AVD	5.0	10 x 3	10 x 6	μF	MURATA	GRT31CC81E106KE01	See p.49 in detail.
L_SW	-	4.7	-	μH	TDK	LTF5022T-4R7N2R0-H	See p.49 in detail.
D_SW	-	-	-	-	ROHM	(RB060M-30DD)	Please insert D_SW when improving the efficiency is necessary.
C_VDD	10	10 x 2	47	μF	MURATA	GRT21BC81A106KE01	
L_SWB	-	4.7	-	μH	TDK	LTF5022T-4R7N2R0-H	
C_VCOM	-	-	-	μF	MURATA	-	
C_VGL	0.47	1.0	4.7	μF	MURATA	GRT21BC81E105KE13	
C_DRN	-	0.1	-	μF	MURATA	GRT188R71H104KE13	
D_VGL		-		-	ROHM	RB558WFH	
C_VGH	0.47	2.2	4.7	μF	MURATA	GRT21BC8YA225KE13	
C_CPP1	-	0.1	-	μF	MURATA	GRT188R71H104KE13	
C_VCP	-	1.0	-	μF	MURATA	GRT188C81E105KE13	
C_CPP2	-	0.1	-	μF	MURATA	GRT188R71H104KE13	
R_RE	0.2	2.0	-	kΩ	ROHM	MCR03	
R_NTC1	-	4.7	-	kΩ	ROHM	MCR03	
R_NTC2	-	33	-	kΩ	ROHM	MCR03	
R_NTC3	-	10	-	kΩ	MURATA	NCU18XH103F6SRB	
R_FLT	47	100	200	kΩ	ROHM	MCR03	
R_PG	47	100	200	kΩ	ROHM	MCR03	
R_RST	47	100	200	kΩ	ROHM	MCR03	

(Note 1) Please set in consideration of temperature properties and DC bias properties not to become less than the minimum.
Please consider it based on enough evaluations with the actual model.

Application Example 1 (when operated by EN control) – continued
Timing Chart1

Start-up Sequence (when operated by EN control)

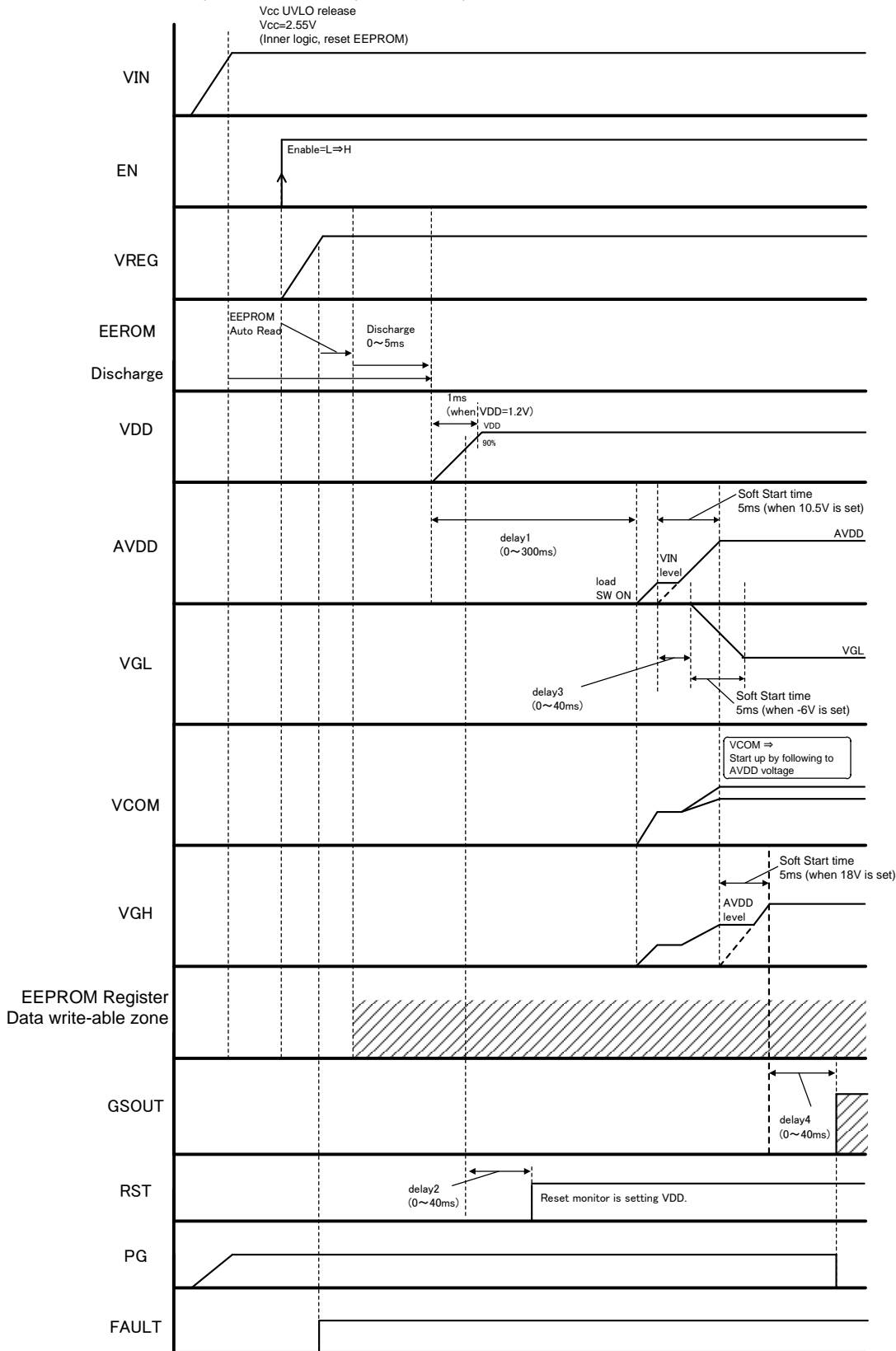


Figure 63. Start-Up Sequence Diagram (when operated by EN control)

Application Example 1 (when operated by EN control) – continued

OFF Sequence (when operated by EN control)

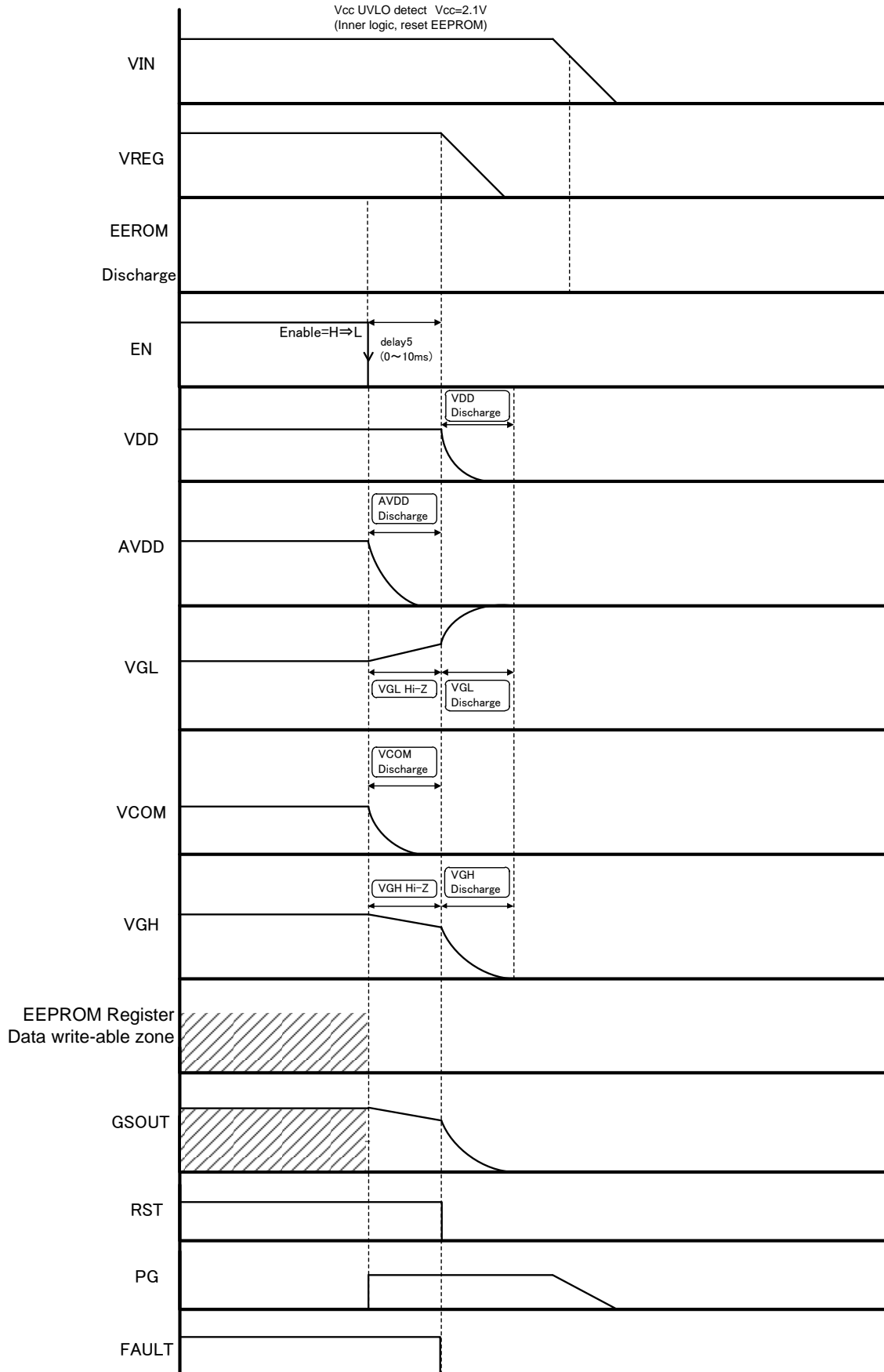


Figure 64. OFF Sequence Block (when operated by EN control)

Application Example 2 (when operated with EN= VCC condition)
Timing Chart2

Start-up Sequence (when operated with EN= VCC condition)

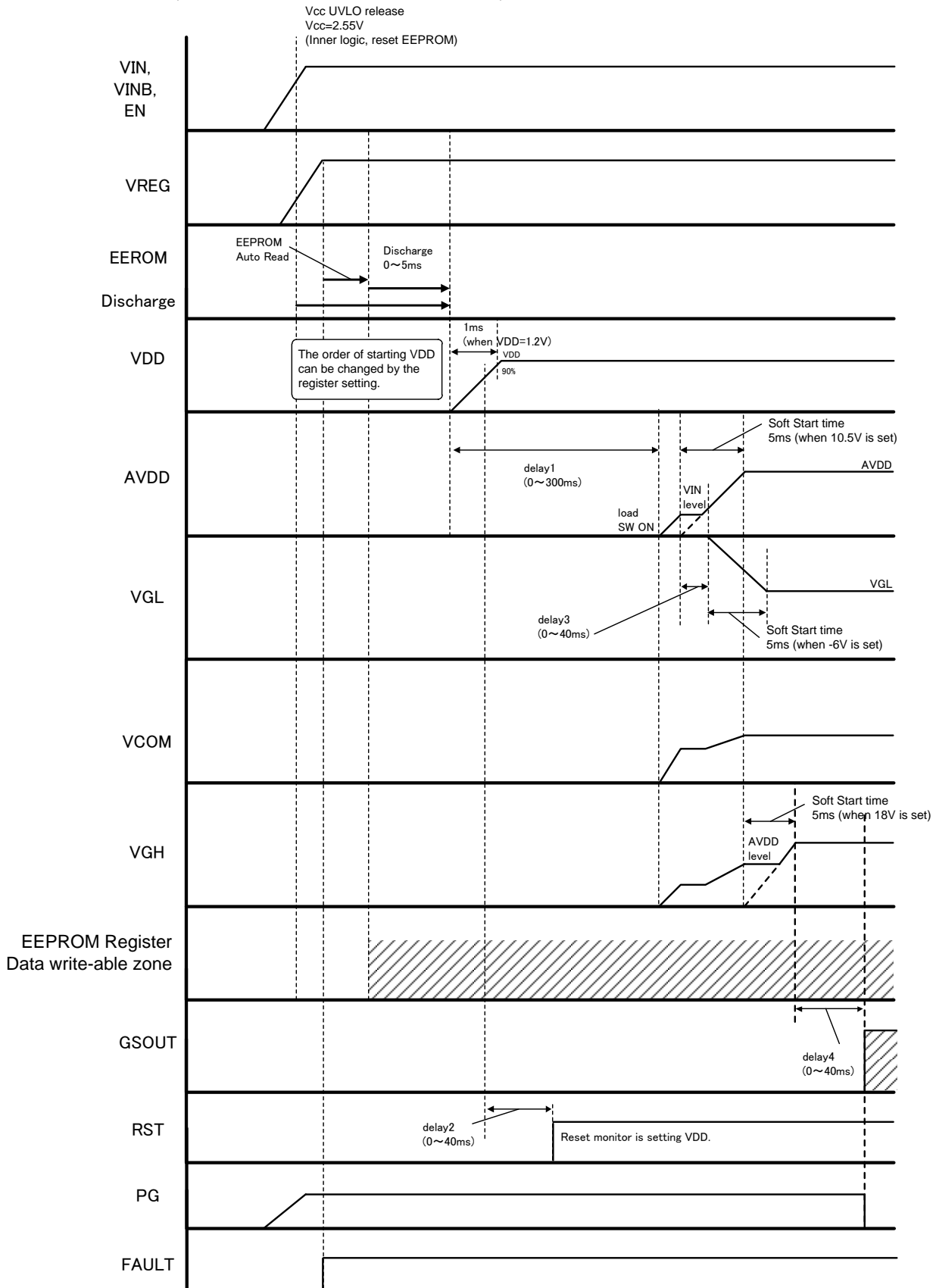


Figure 65. Start-Up Sequence Diagram (when operated with EN= VCC condition)

Timing Chart2 - continued

OFF Sequence (when operated with EN= VCC condition)

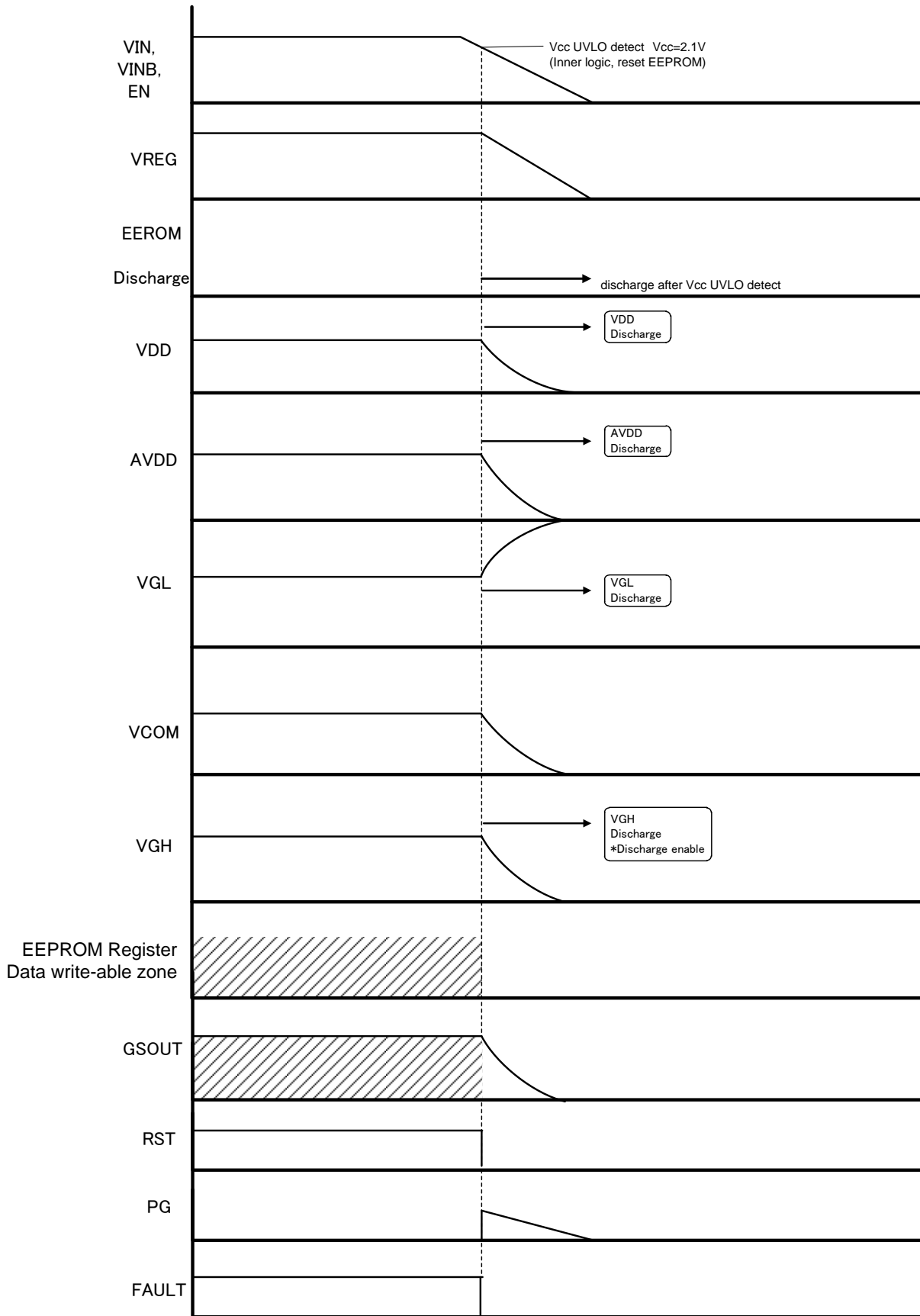


Figure 66. OFF Sequence Diagram (when operated with EN= VCC condition)

Application Example 3 (using LDSW mode)

In case of activating in order of VGL => AVDD => VGH, changing the application contracture to following make is possible. In this case please set Register08h (Function Select) of the EEPROM to "1".

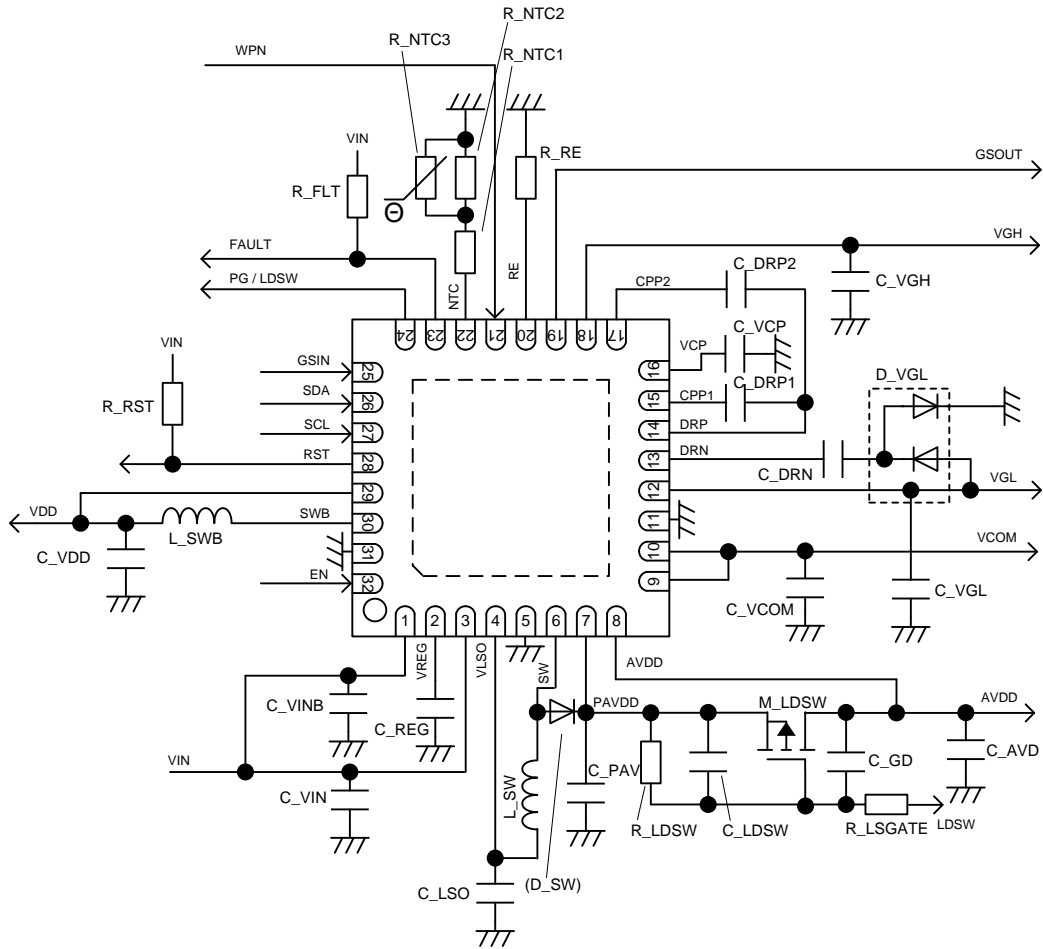


Figure 67. Application Circuit (Function Select = LDSW)

Application Example 3 (using LDSW mode) - continued

Application circuit components list

(Unless otherwise specified VIN=3.3V, VDD=2.5V, AVDD=10.5V, VGH=18V, VGL=-6.0V, VCOM=5.25V and Ta=25°C)

Parts name	Value			Unit	Company	Parts Number	Comment
	Min (Note 1)	Typ	Max				
C_VIN	10	10 x 2	-	μF	MURATA	GRT21BC81A106KE01	
C_VINB	4.7	10	-	μF	MURATA	GRT21BC81A106KE01	No need @ VDD LDO mode
C_REG	0.047	0.1	0.47	μF	MURATA	GRT188R71H104KE13	
C_LSO	10	10 x 2	-	μF	MURATA	GRT21BC81A106KE01	
C_PAVD	5.0	10 x 2	10 x 5	μF	MURATA	GRT31CC81E106KE01	See p.49 in detail.
C_AVD	2.2	4.7	10	μF	MURATA	GRT31CC81E475KE01	See p.49 in detail.
L_SW	-	4.7	-	μH	TDK	LTF5022T-4R7N2R0-H	See p.49 in detail.
D_SW	-	-	-	-	ROHM	(RB060M-30DD)	Please insert D_SW when improving the efficiency is necessary.
M_LDSW	-	-	-	-	ROHM	RTR030P02FHA	
R_LDSW	-	100	-	kΩ	ROHM	MCR03	
C_LDSW	-	0.47	-	μF	MURATA	GRT21BR71H474KE01	
C_GD	-	33	-	nF	MURATA	GRT155R71H333KE01	
R_LSGATE	-	100	-	kΩ	ROHM	MCR03	
C_VDD	10	10 x 2	47	μF	MURATA	GRT21BC81A106KE01	
L_SWB	-	4.7	-	μH	TDK	LTF5022T-4R7N2R0-H	
C_VCOM	-	-	-	μF	MURATA	-	
C_VGL	0.47	1.0	4.7	μF	MURATA	GRT21BC81E105KE13	
C_DRN	-	0.1	-	μF	MURATA	GRT188R71H104KE13	
D_VGL	-	-	-	-	ROHM	RB558WFH	
C_VGH	0.47	2.2	4.7	μF	MURATA	GRT21BC8YA225KE13	
C_CPP1	-	0.1	-	μF	MURATA	GRT188R71H104KE13	
C_VCP	-	1.0	-	μF	MURATA	GRT188C81E105KE13	
C_CPP2	-	0.1	-	μF	MURATA	GRT188R71H104KE13	
R_RE	0.2	2.0	-	kΩ	ROHM	MCR03	
R_NTC1	-	4.7	-	kΩ	ROHM	MCR03	
R_NTC2	-	33	-	kΩ	ROHM	MCR03	
R_NTC3	-	10	-	kΩ	MURATA	NCU18XH103F6SRB	
R_FLT	47	100	200	kΩ	ROHM	MCR03	
R_RST	47	100	200	kΩ	ROHM	MCR03	

(Note 1) Please set in consideration of temperature properties and DC bias properties not to become less than the minimum.
Please consider it based on enough evaluations with the actual model.

Timing Chart3

Start-up Sequence (when operated with LDSW function)

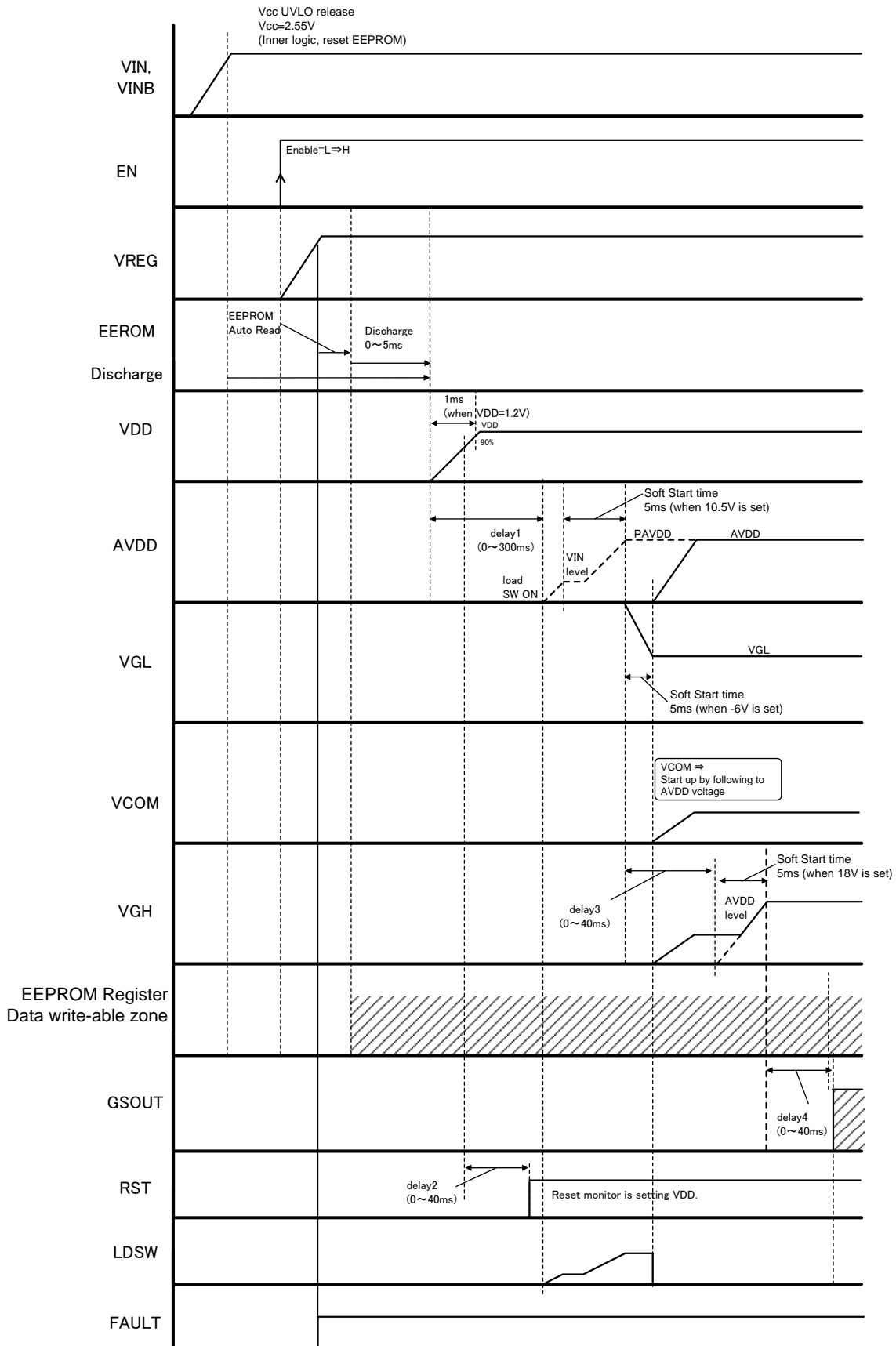


Figure 68. Start-Up Sequence Diagram (when operated with LDSW Function)

Timing Chart3 - continued

OFF Sequence (when operated with LDSW function)

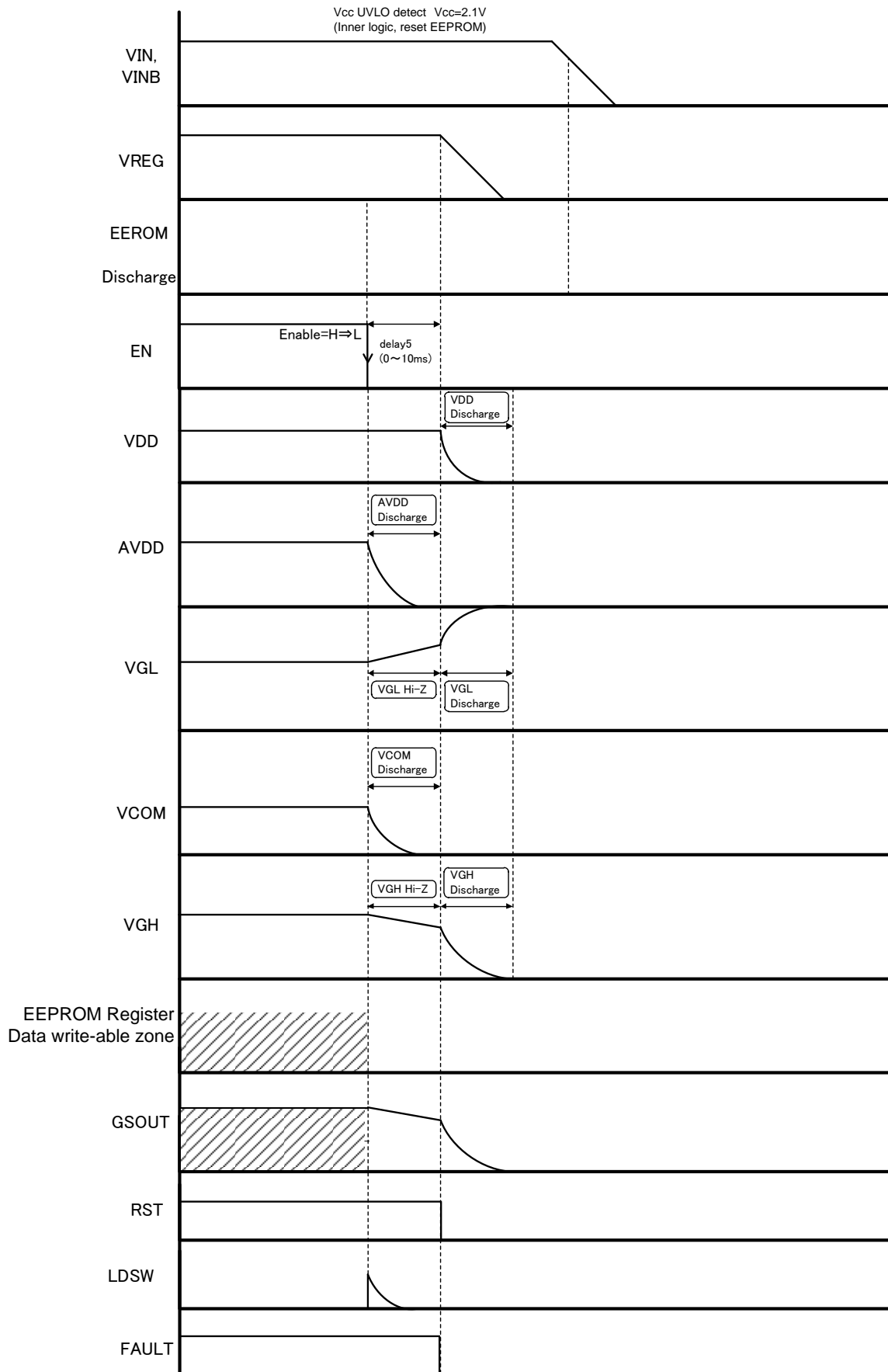


Figure 69. OFF Sequence Diagram (when operated with LDSW Function)

Serial communication

This IC has two device-address-differential EEPROM installed and data is send or received to/from EEPROM using 2-line serial interface (SCL, SDA). Communication format for data sending or receiving to/from each EEPROM is shown below.

EEPROM I2C Format for DVR (VCOM calibrator)

Write operation	Start	Device address							R/W	ACK	DATA							ACK	STOP
		1	0	0	1	1	1	1	0	0	D6	D5	D4	D3	D2	D1	D0	P	
Read operation	Start	Device address							R/W	ACK	DATA							ACK	STOP
		1	0	0	1	1	1	1	1	0	D6	D5	D4	D3	D2	D1	D0	X	

When Device Address = 1001111(R/W) is selected, Data is Read or Write EEPROM for DVR(VCOM calibrator).

During Write mode

- When P=1, the sending data is written only to Register.
- When WPN=Low and P=0, the sending data is written only to Register.
- When WPN=High and P=0, the sending data is written both to Register and EEPROM.

During Read mode

The last bit of received data is "Don't care".

"D6" is ± select bit: 0 = "+", 1="-" from VCOM(HOT) value.

[D5:D0] are voltage band from VCOM(HOT).

The voltage band is calculated; 10mV x [D5:D0],

For example,

[D6:D0,P] = 82h(D6=1, [D5:D0]=1'd, P=0) ... VCOM = VCOM(HOT) – 1 x 10mV;

[D6:D0,P] = 7Eh(D6=0, [D5:D0]=63'd, P=0) ... VCOM = VCOM(HOT) + 63 x 10mV;

Sequence of DVR side EEPROM during Read/Write mode is shown in below chart.

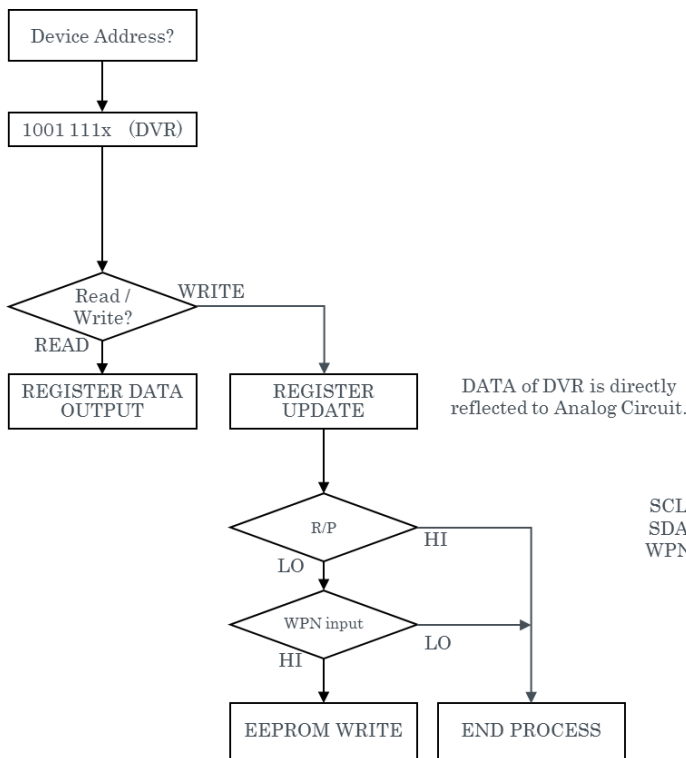


Figure 70

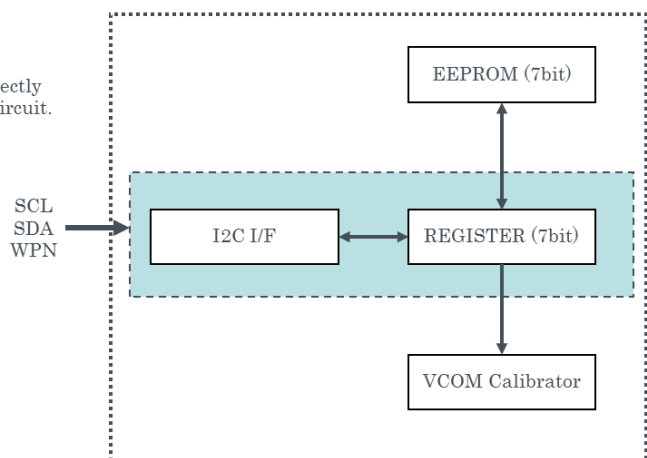


Figure 71

Serial communication - continued

EEPROM I2C Format for Power Management IC (PMIC)

Write operation	Start	Device address							R/W	ACK	Register Address							ACK	N-bytes Data							ACK	Stop									
		1	0	0	0	0	0	0	0	0	0	00h ~ 0Dh, 10h, 11h	0								0								0							
Read operation	Start	Device address							R/W	ACK	Register Address							ACK	Repeated Start	Device Address							ACK	N-bytes Data							ACK	Stop
		1	0	0	0	0	0	0	0	0	0	00h ~ 0Dh, 10h, 11h	0								0								1							

Device Address of BM81810MUV-M is 1000 000x.
Multi write is possible until Register 00h to 0Dh.

	EN	WPN	Start-up(0Ch[7])	PMIC (00h to 0Dh)	Output Function
1	Low	Low	-	-	Shutdown
2	High	Low	-	Register	Active
3	High	High	0*	Register & EEPROM	Shutdown
4	High	High	1	Register & EEPROM	Active

* In the mass production shipment process, please write Start-up (0Ch[7]) to "1" in EEPROM.

The following are the settings if you want to send the Data by I2C.

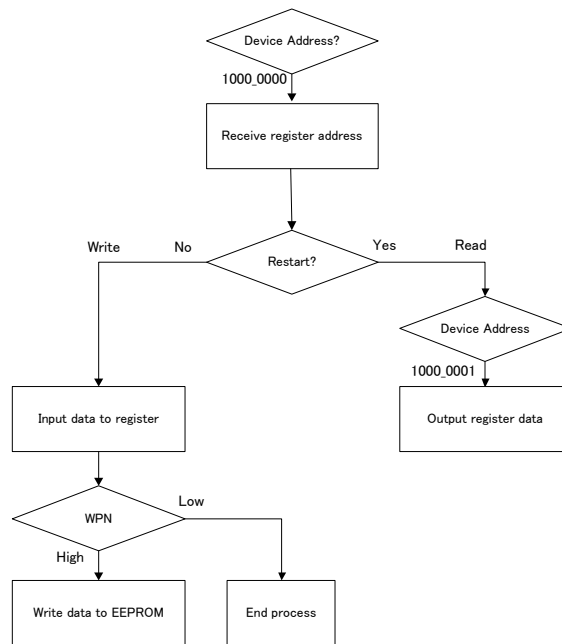


Figure 72

WPN Timing

WPN is normally fixed as Low.

In case of writing to EEPROM, WPN is set to High, and the timing will be as below.

Because the maximum of the auto-read time from EEPROM is 5ms, please between EN signal and I2C input than 5ms.

Also, because the maximum of writing time to EEPROM is 50ms, please between I2C STOP signal and EN falling signal than 50ms.

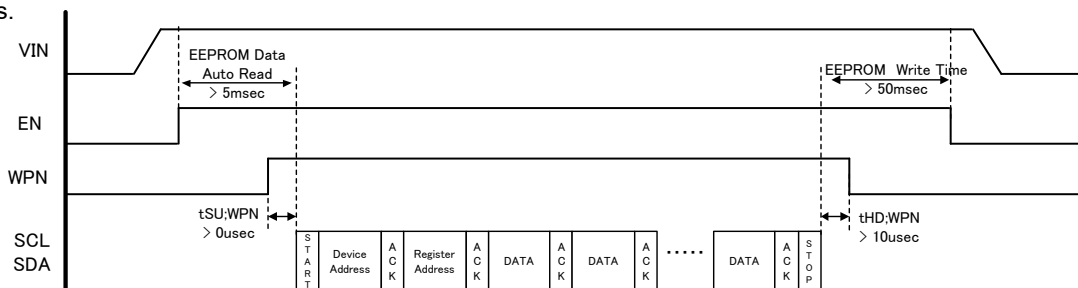


Figure 73

I2C Timing Diagram

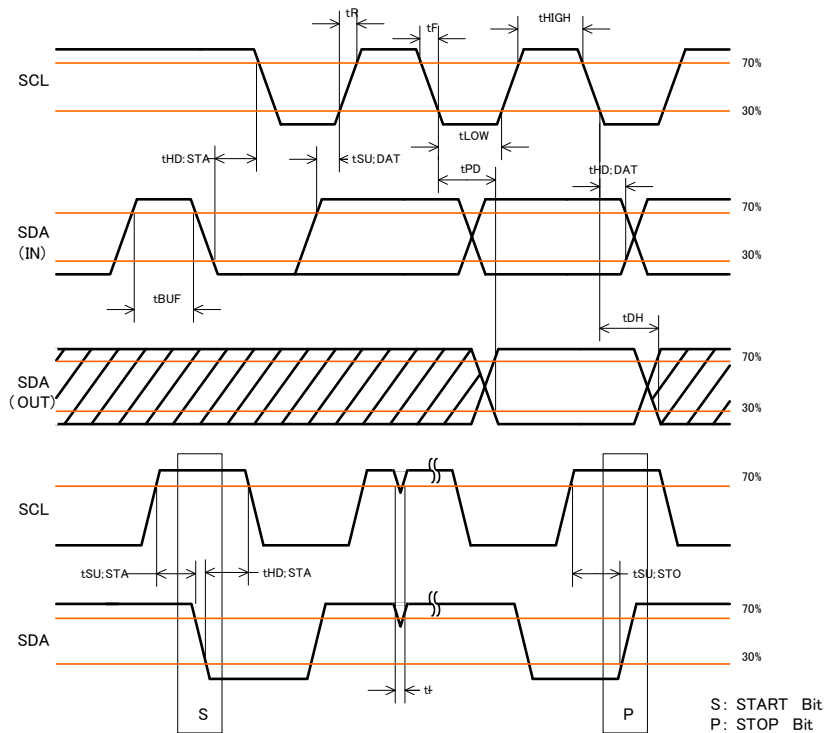


Figure 74. I2C Timing Diagram

Timing standard values

Parameter	Symbol	NORMAL MODE			FAST MODE			Unit
		Min	Typ	Max	Min	Typ	Max	
SCL frequency	fSCL	-	-	100	-	-	400	kHz
SCL high time	tHIGH	4.0	-	-	0.6	-	-	μs
SCL low time	tLOW	4.7	-	-	1.2	-	-	μs
Rise Time	tR	-	-	1.0	-	-	0.3	μs
Fall Time	tF	-	-	0.3	-	-	0.3	μs
Start condition hold time	tHD;STA	4.0	-	-	0.6	-	-	μs
Start condition setup time	tSU;STA	4.7	-	-	0.6	-	-	μs
SDA hold time	tHD;DAT	0	-	-	0	-	-	ns
SDA setup time	tSU;DAT	200	-	-	100	-	-	ns
Acknowledge delay time	tPD	-	-	0.9	-	-	0.9	μs
Acknowledge hold time	tDH	-	0.1	-	-	0.1	-	μs
Stop condition setup time	tSU;STO	4.0	-	-	0.6	-	-	μs
Bus release time	tBUF	4.7	-	-	1.2	-	-	μs
Noise spike width	TI	-	0.1	-	-	0.1	-	μs

Automatic EEPROM Read Function at Start-up

Upon BM81810MUV-M start-up, a reset signal is generated and each register is initialized. After VREG activation is finished, data which is stored in the EEPROM is copied to the registers. The automatic EEPROM read function at start-up is further explained by the flow chart below.

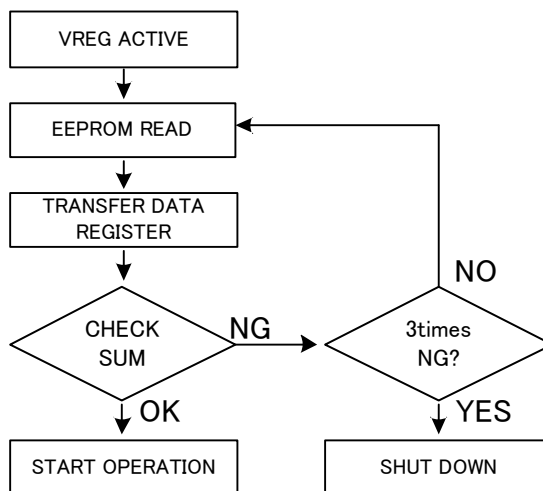


Figure 75. Automatic EEPROM Read Function at Start-up

EEPROM Parameter Setting

■EEPROM / Main Register Map (device address : 1000000x)				
Device Address: 1000000x (PMIC)				
Register Address	Bits	Function	Resolution	Comments
00h	8	AVDD Output voltage	0.1V [5.0V to 17.0V]	AVDD Output voltage setting
01h	8	VGH(HOT) Output voltage	0.2V [8.0V to 35.0V]	VGH(HOT) Output voltage setting
02h	8	Δ VGH(COLD) Voltage [6:0] VGH NTC Enalbe [7]	0.2V [VGH(HOT) + 15V] 0:Disable, 1:Enable	
03h	8	VGL Output voltage	0.1V [-14.0V to -4.0V]	VGL Output voltage setting
04h	8	VCOM(HOT) Output voltage	40mV [0.5xAVDD ±4.0V]	VCOM(HOT) Output voltage setting
05h	8	Δ VCOM(COLD) Voltage [6:0] VCOM NTC Enalbe [7]	10mV [VCOM(HOT) - 0.63V] 0:Disable, 1:Enable	
06h	8	VDD Output voltage [5:0] VDD mode select [6] VDD Phase [7]	0.05V [0.9V to 3.4V] 0 : DC/DC, 1 : LDO See P.56 page.	VDD Output voltage setting Select VDD operation mode DC/DC or LDO select VDD Phase
07h	8	Reset Voltage [4:0] Reset monitor select [5] GPM input delay [7:6]	0.1V [0.6V to 3.3V] 0:VDD, 1:VIN 00: 0.1usec, 01: 0.5usec, 10: 1.0usec, 11: 1.5usec	Reset voltage setting Select monitor pin of reset function GPM input propagation delay time setting
08h	8	Discharge time [2:0] Delay1 time [6:3] Function Select [7]	1msec [0 to 5msec] [0 to 300msec] 0: PG, 1: LDSW	Pre-discharge time setting Load switch of AVDD start-up delay time setting 24pin function select
09h	8	Delay2 time [2:0] DoubleReg [3] Delay3 time [6:4] DataRef [7]	5msec [0 to 30msec, 40msec] 0: Disable, 1: Enable 5msec [0 to 30msec, 40msec] 0: Disable, 1: Enable	Reset start delay time setting Double Register Function VGL or VGH start-up delay time setting Data Refresh Function
0Ah	8	Delay4 time [2:0] AR_Time [3] Delay5 time [6:4] VGH Discharge enable [7]	5msec [0 to 30msec, 40msec] 0: 0.5sec, 1: 1.0sec 2msec [0 to 10msec] 0: Enable, 1: Disable	GPM start delay time setting Data Refresh Time VDD stop delay time setting VGH Discharge function enable
0Bh	8	AVDD Coil[1:0] AVDD SW Slew Rate [3:2] AVDD SS time [5:4] AVDD OCP Select [6] AVDD COMP [7]	See p.49 page. See p.48 page. 5msec [5msec to 20msec] 0: 2A, 1: 1A See p.49 page.	select AVDD Coil inductance 4step slew rate setting (11:fast → 00:slow) AVDD softstart time setting AVDD OCP min value select AVDD phase compensation setting
0Ch	8	AVDD Frequency [1:0] VDD Frequency [3:2] VGH / VGL Frequency [5:4] VGH mode select [6] start-up bit [7]	00:2.1MHz, 01:1.05MHz, 10:525KHz, 11:525KHz 00:2.1MHz, 01:1.05MHz, 10:525KHz, 11:525KHz AVDD Frequency (00: x1, 01: --, 10: --, 11: --) 0: x3 mode, 1: x2 or x4 mode 0:Disable, 1:Enable	Select AVDD switching frequency Select VDD switching frequency Select VGH and VGL switching frequency. Choose only "00" . Select VGH charge pump mode

Device Address: 1001111x (VCOM)				
Register Address	Bits	Function	Resolution	Comments
-	7	VCOM Calibrator	+/- 0.01V [VCOM +/- 0.63V]	VCOM Calibrator

When Start-up bit(REG0Ch[7]) is "1", below Register cannot be modified.

- VGH NTC Enable REG02h[7]
- VCOM NTC Enable REG05h[7]
- VDD mode select REG06h[6]
- Function select REG08h[7]
- VGH mode select REG0Ch[6]

To change those Register setting, start-up bit(REG0Ch[7]) should be in "0".
After changing the register value, set the Start-up bit(REG0Ch[7]) to "1" again to start up with the changed setting.

Register Map

Device Address : 1000000x (PMIC)

Register Address	D7	D6	D5	D4	D3	D2	D1	D0	Default
00h	AVDD Output Voltage								68h
01h	VGH HOT Output Voltage								59h
02h	VGH NTC Enable	Δ VGH COLD Voltage							83h
03h	VGL Output Voltage								3Bh
04h	VCOM HOT Output Voltage								80h
05h	VCOM NTC Enable	Δ VCOM COLD Voltage							99h
06h	VDD Phase Select	VDD MODE	VDD Output Voltage						20h
07h	GPM Input Delay		Reset Monitor Select	Reset Voltage					04h
08h	Function Select	Delay1 time			Discharge time				09h
09h	Data Refresh	Delay3 time		DoubleReg	Delay2 time				13h
0Ah	VGH Discharge Enable	Delay5 time		AR_Time	Delay4 time				87h
0Bh	AVDD COMP	AVDD OCP Select	AVDD SS Time		AVDD SW Slew Rate		AVDD Coil Select		3Ch
0Ch	Start-up Bit	VGH mode select	VGH/VGL Frequency		VDD Frequency		AVDD Frequency		05h
0Dh	Check Sum								60h
10h	AVDD UVP	VDD UVP	VGH UVP	VGL UVP	Double Register Error	AVDD OCP	TSD	Check sum Error	00h

Device Address : 1001111x (VCOM)

Register Address	D6	D5	D4	D3	D2	D1	D0	P	Default
-	VCOM Calibration Voltage							P	80h

Register Map - continued
Command Table

		Register Address															
		00h	01h	02h		03h	04h		05h	06h		07h		08h			
DATA (HEX)	AVDD Output Voltage [7:0]	VGH HOT Output Voltage [7:0]	VGH NTC Enable [7]	AVDD COLD Voltage [6:0]	VGL Output Voltage [7:0]	VCOM HOT Output Voltage [7:0]	VCOM NTC Enable [7]	AVDD COLD Voltage [6:0]	VDD Phase [7]	VDD MODE [6]	VDD Output Voltage [5:0]	GPM Input Delay [7:6]	Reset Monitor Select [5]	Reset Voltage [4:0]	Function Select [7]	Delay1 time [6:3]	Discharge time [2:0]
00h	5.0 V	8.0 V	Disable	+0.0V	-4.0 V	AVDD2	Disable	-0.00V	VD Phase Set 1	DC/DC	0.90 V	0.1 usec	VDD	0.6 V	3.3 V	0 msec	0 msec
01h	+0.2V			AVDD2+0.04V		-0.01V		0.95 V			0.7 V			1 msec			
02h	+0.4V			AVDD2+0.08V		-0.02V		1.00 V			0.8 V			2 msec			
03h	+0.6V			AVDD2+0.12V		-0.03V		1.05 V			0.9 V			3 msec			
04h	+0.8V			AVDD2+0.16V		-0.04V		1.10 V			1.0 V			4 msec			
05h	+1.0V			AVDD2+0.20V		-0.05V		1.15 V			1.1 V			5 msec			
06h	+1.2V			AVDD2+0.24V		-0.06V		1.20 V			1.2 V			5 msec			
07h	+1.4V			AVDD2+0.28V		-0.07V		1.25 V			1.3 V			5 msec			
08h	+1.6V			AVDD2+0.32V		-0.08V		1.30 V			1.4 V			5 msec			
09h	+1.8V			AVDD2+0.36V		-0.09V		1.35 V			1.5 V			5 msec			
0Ah	+2.0V	AVDD2+0.40V	-0.10V	1.40 V	1.6 V	5 msec											
0Bh	+2.2V	AVDD2+0.44V	-0.11V	1.45 V	1.7 V	5 msec											
0Ch	+2.4V	AVDD2+0.48V	-0.12V	1.50 V	1.8 V	5 msec											
0Dh	+2.6V	AVDD2+0.52V	-0.13V	1.55 V	1.9 V	5 msec											
0Eh	+2.8V	AVDD2+0.56V	-0.14V	1.60 V	2.0 V	5 msec											
0Fh	+3.0V	AVDD2+0.60V	-0.15V	1.65 V	2.1 V	5 msec											
10h	+3.2V	AVDD2+0.64V	-0.16V	1.70 V	2.2 V	5 msec											
11h	+3.4V	AVDD2+0.68V	-0.17V	1.75 V	2.3 V	5 msec											
12h	+3.6V	AVDD2+0.72V	-0.18V	1.80 V	2.4 V	5 msec											
13h	+3.8V	AVDD2+0.76V	-0.19V	1.85 V	2.5 V	5 msec											
14h	+4.0V	AVDD2+0.80V	-0.20V	1.90 V	2.6 V	5 msec											
15h	+4.2V	AVDD2+0.84V	-0.21V	1.95 V	2.7 V	5 msec											
16h	+4.4V	AVDD2+0.88V	-0.22V	2.00 V	2.8 V	5 msec											
17h	+4.6V	AVDD2+0.92V	-0.23V	2.05 V	2.9 V	5 msec											
18h	+4.8V	AVDD2+0.96V	-0.24V	2.10 V	3.0 V	5 msec											
19h	+5.0V	AVDD2+1.00V	-0.25V	2.15 V	3.1 V	5 msec											
1Ah	+5.2V	AVDD2+1.04V	-0.26V	2.20 V	3.2 V	5 msec											
1Bh	+5.4V	AVDD2+1.08V	-0.27V	2.25 V	3.3 V	5 msec											
1Ch	+5.6V	AVDD2+1.12V	-0.28V	2.30 V	3.4 V	5 msec											
1Dh	+5.8V	AVDD2+1.16V	-0.29V	2.35 V	3.5 V	5 msec											
1Eh	+6.0V	AVDD2+1.20V	-0.30V	2.40 V	3.6 V	5 msec											
1Fh	+6.2V	AVDD2+1.24V	-0.31V	2.45 V	3.7 V	5 msec											
20h	+6.4V	AVDD2+1.28V	-0.32V	2.50 V	3.8 V	5 msec											
21h	+6.6V	AVDD2+1.32V	-0.33V	2.55 V	3.9 V	5 msec											
22h	+6.8V	AVDD2+1.36V	-0.34V	2.60 V	4.0 V	5 msec											
23h	+7.0V	AVDD2+1.40V	-0.35V	2.65 V	4.1 V	5 msec											
24h	+7.2V	AVDD2+1.44V	-0.36V	2.70 V	4.2 V	5 msec											
25h	+7.4V	AVDD2+1.48V	-0.37V	2.75 V	4.3 V	5 msec											
26h	+7.6V	AVDD2+1.52V	-0.38V	2.80 V	4.4 V	5 msec											
27h	+7.8V	AVDD2+1.56V	-0.39V	2.85 V	4.5 V	5 msec											
28h	+8.0V	AVDD2+1.60V	-0.40V	2.90 V	4.6 V	5 msec											
29h	+8.2V	AVDD2+1.64V	-0.41V	2.95 V	4.7 V	5 msec											
2Ah	+8.4V	AVDD2+1.68V	-0.42V	3.00 V	4.8 V	5 msec											
2Bh	+8.6V	AVDD2+1.72V	-0.43V	3.05 V	4.9 V	5 msec											
2Ch	+8.8V	AVDD2+1.76V	-0.44V	3.10 V	5.0 V	5 msec											
2Dh	+9.0V	AVDD2+1.80V	-0.45V	3.15 V	5.1 V	5 msec											
2Eh	+9.2V	AVDD2+1.84V	-0.46V	3.20 V	5.2 V	5 msec											
2Fh	+9.4V	AVDD2+1.88V	-0.47V	3.25 V	5.3 V	5 msec											
30h	+9.6V	AVDD2+1.92V	-0.48V	3.30 V	5.4 V	5 msec											
31h	+9.8V	AVDD2+1.96V	-0.49V	3.35 V	5.5 V	5 msec											
32h	+10.0V	AVDD2+2.00V	-0.50V	3.40 V	5.6 V	5 msec											
33h	+10.2V	AVDD2+2.04V	-0.51V	3.45 V	5.7 V	5 msec											
34h	+10.4V	AVDD2+2.08V	-0.52V	3.50 V	5.8 V	5 msec											
35h	+10.6V	AVDD2+2.12V	-0.53V	3.55 V	5.9 V	5 msec											
36h	+10.8V	AVDD2+2.16V	-0.54V	3.60 V	6.0 V	5 msec											
37h	+11.0V	AVDD2+2.20V	-0.55V	3.65 V	6.1 V	5 msec											
38h	+11.2V	AVDD2+2.24V	-0.56V	3.70 V	6.2 V	5 msec											
39h	+11.4V	AVDD2+2.28V	-0.57V	3.75 V	6.3 V	5 msec											
3Ah	+11.6V	AVDD2+2.32V	-0.58V	3.80 V	6.4 V	5 msec											
3Bh	+11.8V	AVDD2+2.36V	-0.59V	3.85 V	6.5 V	5 msec											
3Ch	+12.0V	AVDD2+2.40V	-0.60V	3.90 V	6.6 V	5 msec											
3Dh	+12.2V	AVDD2+2.44V	-0.61V	3.95 V	6.7 V	5 msec											
3Eh	+12.4V	AVDD2+2.48V	-0.62V	4.00 V	6.8 V	5 msec											
3Fh	+12.6V	AVDD2+2.52V	-0.63V	4.05 V	6.9 V	5 msec											
40h	+12.8V	AVDD2+2.56V	-0.64V	4.10 V	7.0 V	5 msec											
41h	+13.0V	AVDD2+2.60V	-0.65V	4.15 V	7.1 V	5 msec											
42h	+13.2V	AVDD2+2.64V	-0.66V	4.20 V	7.2 V	5 msec											
43h	+13.4V	AVDD2+2.68V	-0.67V	4.25 V	7.3 V	5 msec											
44h	+13.6V	AVDD2+2.72V	-0.68V	4.30 V	7.4 V	5 msec											
45h	+13.8V	AVDD2+2.76V	-0.69V	4.35 V	7.5 V	5 msec											
46h	+14.0V	AVDD2+2.80V	-0.70V	4.40 V	7.6 V	5 msec											
47h	+14.2V	AVDD2+2.84V	-0.71V	4.45 V	7.7 V	5 msec											
48h	+14.4V	AVDD2+2.88V	-0.72V	4.50 V	7.8 V	5 msec											
49h	+14.6V	AVDD2+2.92V	-0.73V	4.55 V	7.9 V	5 msec											
4Ah	+14.8V	AVDD2+2.96V	-0.74V	4.60 V	8.0 V	5 msec											
4Bh	+15.0V	AVDD2+3.00V	-0.75V	4.65 V	8.1 V	5 msec											
4Ch	+15.2V	AVDD2+3.04V	-0.76V	4.70 V	8.2 V	5 msec											
4Dh	+15.4V	AVDD2+3.08V	-0.77V	4.75 V	8.3 V	5 msec											
4Eh	+15.6V	AVDD2+3.12V	-0.78V	4.80 V	8.4 V	5 msec											
4Fh	+15.8V	AVDD2+3.16V	-0.79V	4.85 V	8.5 V	5 msec											
50h	+16.0V	AVDD2+3.20V	-0.80V	4.90 V	8.6 V	5 msec											
51h	+16.2V	AVDD2+3.24V	-0.81V	4.95 V	8.7 V	5 msec											
52h	+16.4V	AVDD2+3.28V	-0.82V	5.00 V	8.8 V	5 msec											
53h	+16.6V	AVDD2+3.32V	-0.83V	5.05 V	8.9 V	5 msec											
54h	+16.8V	AVDD2+3.36V	-0.84V	5.10 V	9.0 V	5 msec											
55h	+17.0V	AVDD2+3.40V	-0.85V	5.15 V	9.1 V	5 msec											
56h	+17.2V	AVDD2+3.44V	-0.86V	5.20 V	9.2 V	5 msec											
57h	+17.4V	AVDD2+3.48V	-0.87V	5.25 V	9.3 V	5 msec											
58h	+17.6V	AVDD2+3.52V	-0.88V	5.30 V	9.4 V	5 msec											
59h	+17.8V	AVDD2+3.56V	-0.89V	5.35 V	9.5 V	5 msec											
5Ah	+18.0V	AVDD2+3.60V	-0.90V	5.40 V	9.6 V	5 msec											
5Bh	+18.2V	AVDD2+3.64V	-0.91V	5.45 V	9.7 V	5 msec											
5Ch	+18.4V	AVDD2+3.68V	-0.92V	5.50 V	9.8 V	5 msec											
5Dh	+18.6V	AVDD2+3.72V	-0.93V	5.55 V	9.9 V	5 msec											
5Eh	+18.8V	AVDD2+3.76V	-0.94V	5.60 V	10.0 V	5 msec											
5Fh	+19.0V	AVDD2+3.80V	-0.95V	5.65 V	10.1 V	5 msec											
60h	+19.2V	AVDD2+3.84V	-0.96V	5.70 V	10.2 V	5 msec											
61h	+19.4V	AVDD2+3.88V	-0.97V	5.75 V	10.3 V	5 msec											
62h	+19.6V	AVDD2+3.92V	-0.98V	5.80 V	10.4 V	5 msec											
63h	+19.8V	AVDD2+3.96V	-0.99V	5.85 V	10.5 V	5 msec											
64h	+20.0V	AVDD2+4.00V	-1.00V	5.90 V	10.6 V	5 msec											
65h	+20.2V	AVDD2+4.04V	-1.01V	5.95 V	10.7 V	5 msec											
66h	+20.4V	AVDD2+4.08V	-1.02V	6.00 V	10.8 V	5 msec											
67h	+20.6V	AVDD2+4.12V	-1.03V	6.05 V	10.9 V	5 msec											
68h	+20.8V	AVDD2+4.16V	-1.04V	6.10 V	11.0 V	5 msec											
69h	+21.0V	AVDD2+4.20V	-1.05V	6.15 V	11.1 V	5 msec											
6Ah	+21.2V	AVDD2+4.24V	-1.06V	6.20 V	11.2 V	5 msec											
6Bh	+21.4V	AVDD2+4.28V	-1.07V	6.25 V	11.3 V	5 msec											
6Ch	+21.6V	AVDD2+4.32V	-1.08V	6.30 V	11.4 V	5 msec											
6Dh	+21.8V	AVDD2+4.36V	-1.09V	6.35 V	11.5 V	5 msec											
6Eh	+22.0V	AVDD2+4.40V	-1.10V	6.40 V	11.6 V	5 msec											
6Fh	+22.2V	AVDD2+4.44V	-1.11V	6.45 V	11.7 V	5 msec											
70h	+22.4V	AVDD2+4.48V	-1.12V	6.50 V	11.8 V	5 msec											
71h	+22.6V	AVDD2+4.52V	-1.13V	6.55 V	11.9 V	5 msec											
72h	+22.8V	AVDD2+4.56V	-1.14V	6.60 V	12.0 V	5 msec											
73h	+23.0V	AVDD2+4.60V	-1.15V	6.65 V	12.1 V	5 msec											
74h	+23.2V	AVDD2+4.64V	-1.16V	6.70 V	12.2 V	5 msec											
75h	+23.4V	AVDD2+4.68V	-1.17V	6.75 V	12.3 V	5 msec											
76h	+23.6V	AVDD2+4.72V	-1.18V	6.80 V	12.4 V	5 msec											
77h	+23.8V	AVDD2+4.76V	-1.19V	6.85 V	12.5 V	5 msec											
78h	+24.0V	AVDD2+4.80V	-1.20V	6.90 V	12.6 V	5 msec											
79h	+24.2V	AVDD2+4.84V	-1.21V	6.95 V	12.7 V	5 msec											
7Ah	+24.4V	AVDD2+4.88V	-1.22V	7.00 V	12.8 V	5 msec											
7Bh	+24.6V	AVDD2+4.92V	-1.23V	7.05 V	12.9 V	5 msec											
7Ch	+24.8V	AVDD2+4.96V	-1.24V	7.10 V	13.0 V	5 msec											
7Dh	+25.0V	AVDD2+5.00V	-1.25V	7.15 V	13.1 V	5 msec											
7Eh	+25.2V	AVDD2+5.04V	-1.26V	7.20 V	13.2 V	5 msec											
7Fh	+25.4V	AVDD2+5.08V	-1.27V	7.25 V	13.3 V	5 msec											

Command Table - continued

DATA (HEX)	Register Address														Function Select [7]	Delay1 time [6:3]	Discharge time [2:0]
	00h	01h	02h	03h	04h	05h	06h	07h	08h	09h	0Ah	0Bh	0Ch	0Dh			
AVDD Output Voltage [7:0]	VGH HOT Output Voltage [7:0]	VGH NTC Enable [7]	ΔVGH COLD Voltage [6:0]	VCL Output Voltage [7:0]	VCOM HOT Output Voltage [7:0]	VCOM NTC Enable [7]	ΔVCOM COLD Voltage [6:0]	VDD Phase [7]	VDD MODE [6]	VDD Output Voltage [5:0]	GPM Input Delay [7:6]	Reset Monitor Select [5]	Reset Voltage [4:0]				
80h	12.9 V	25.8 V		+0.0V	-12.9 V	AVDD/2	-0.00V			0.90 V			0.6 V			0 msec	
81h	13.0 V	26.0 V		+0.2V	-13.0 V	AVDD/2-0.04V	-0.01V			0.95 V			0.7 V			1 msec	
82h	13.1 V	26.2 V		+0.4V	-13.1 V	AVDD/2-0.08V	-0.02V			1.00 V			0.8 V			2 msec	
83h	13.2 V	26.4 V		+0.6V	-13.2 V	AVDD/2-0.12V	-0.03V			1.05 V			0.9 V			3 msec	
84h	13.3 V	26.6 V		+0.8V	-13.3 V	AVDD/2-0.16V	-0.04V			1.10 V			1.0 V			4 msec	
85h	13.4 V	26.8 V		+1.0V	-13.4 V	AVDD/2-0.20V	-0.05V			1.15 V			1.1 V				
86h	13.5 V	27.0 V		+1.2V	-13.5 V	AVDD/2-0.24V	-0.06V			1.20 V			1.2 V			5 msec	
87h	13.6 V	27.2 V		+1.4V	-13.6 V	AVDD/2-0.28V	-0.07V			1.25 V			1.3 V				
88h	13.7 V	27.4 V		+1.6V	-13.7 V	AVDD/2-0.32V	-0.08V			1.30 V			1.4 V			0 msec	
89h	13.8 V	27.6 V		+1.8V	-13.8 V	AVDD/2-0.36V	-0.09V			1.35 V			1.5 V			1 msec	
8Ah	13.9 V	27.8 V		+2.0V	-13.9 V	AVDD/2-0.40V	-0.10V			1.40 V			1.6 V			2 msec	
8Bh	14.0 V	28.0 V		+2.2V		AVDD/2-0.44V	-0.11V			1.45 V			1.7 V			3 msec	
8Ch	14.1 V	28.2 V		+2.4V		AVDD/2-0.48V	-0.12V			1.50 V			1.8 V			4 msec	
8Dh	14.2 V	28.4 V		+2.6V		AVDD/2-0.52V	-0.13V			1.55 V			1.9 V				
8Eh	14.3 V	28.6 V		+2.8V		AVDD/2-0.56V	-0.14V			1.60 V			2.0 V			5 msec	
8Fh	14.4 V	28.8 V		+3.0V		AVDD/2-0.60V	-0.15V			1.65 V			2.1 V				
90h	14.5 V	29.0 V		+3.2V		AVDD/2-0.64V	-0.16V			1.70 V			2.2 V			0 msec	
91h	14.6 V	29.2 V		+3.4V		AVDD/2-0.68V	-0.17V			1.75 V			2.3 V			1 msec	
92h	14.7 V	29.4 V		+3.6V		AVDD/2-0.72V	-0.18V			1.80 V			2.4 V			2 msec	
93h	14.8 V	29.6 V		+3.8V		AVDD/2-0.76V	-0.19V			1.85 V			2.5 V			3 msec	
94h	14.9 V	29.8 V		+4.0V		AVDD/2-0.80V	-0.20V			1.90 V			2.6 V			4 msec	
95h	15.0 V	30.0 V		+4.2V		AVDD/2-0.84V	-0.21V			1.95 V			2.7 V				
96h	15.1 V	30.2 V		+4.4V		AVDD/2-0.88V	-0.22V			2.00 V			2.8 V			5 msec	
97h	15.2 V	30.4 V		+4.6V		AVDD/2-0.92V	-0.23V			2.05 V			2.9 V				
98h	15.3 V	30.6 V		+4.8V		AVDD/2-0.96V	-0.24V			2.10 V			3.0 V			0 msec	
99h	15.4 V	30.8 V		+5.0V		AVDD/2-1.00V	-0.25V			2.15 V			3.1 V			1 msec	
9Ah	15.5 V	31.0 V		+5.2V		AVDD/2-1.04V	-0.26V			2.20 V			3.2 V			2 msec	
9Bh	15.6 V	31.2 V		+5.4V		AVDD/2-1.08V	-0.27V			2.25 V			3.3 V			3 msec	
9Ch	15.7 V	31.4 V		+5.6V		AVDD/2-1.12V	-0.28V			2.30 V			3.4 V			4 msec	
9Dh	15.8 V	31.6 V		+5.8V		AVDD/2-1.16V	-0.29V			2.35 V			3.5 V				
9Eh	15.9 V	31.8 V		+6.0V		AVDD/2-1.20V	-0.30V			2.40 V			3.6 V			5 msec	
9Fh	16.0 V	32.0 V		+6.2V		AVDD/2-1.24V	-0.31V			2.45 V			3.7 V				
A0h	16.1 V	32.2 V		+6.4V		AVDD/2-1.28V	-0.32V			2.50 V			3.8 V			0 msec	
A1h	16.2 V	32.4 V		+6.6V		AVDD/2-1.32V	-0.33V			2.55 V			3.9 V			1 msec	
A2h	16.3 V	32.6 V		+6.8V		AVDD/2-1.36V	-0.34V			2.60 V			4.0 V			2 msec	
A3h	16.4 V	32.8 V		+7.0V		AVDD/2-1.40V	-0.35V			2.65 V			4.1 V			3 msec	
A4h	16.5 V	33.0 V		+7.2V		AVDD/2-1.44V	-0.36V			2.70 V			4.2 V			4 msec	
A5h	16.6 V	33.2 V		+7.4V		AVDD/2-1.48V	-0.37V			2.75 V			4.3 V				
A6h	16.7 V	33.4 V		+7.6V		AVDD/2-1.52V	-0.38V			2.80 V			4.4 V			5 msec	
A7h	16.8 V	33.6 V		+7.8V		AVDD/2-1.56V	-0.39V			2.85 V			4.5 V				
A8h	16.9 V	33.8 V		+8.0V		AVDD/2-1.60V	-0.40V			2.90 V			4.6 V			0 msec	
A9h	34.0 V			+8.2V		AVDD/2-1.64V	-0.41V			2.95 V			4.7 V			1 msec	
AAh	34.2 V			+8.4V		AVDD/2-1.68V	-0.42V			3.00 V			4.8 V			2 msec	
ABh	34.4 V			+8.6V		AVDD/2-1.72V	-0.43V			3.05 V			4.9 V			3 msec	
ABh	34.6 V			+8.8V		AVDD/2-1.76V	-0.44V			3.10 V			5.0 V			4 msec	
ADh	34.8 V			+9.0V		AVDD/2-1.80V	-0.45V			3.15 V			5.1 V				
AEh				+9.2V		AVDD/2-1.84V	-0.46V			3.20 V			5.2 V			5 msec	
AFh				+9.4V		AVDD/2-1.88V	-0.47V			3.25 V			5.3 V				
B0h				+9.6V		AVDD/2-1.92V	-0.48V			3.30 V			5.4 V			0 msec	
B1h				+9.8V		AVDD/2-1.96V	-0.49V			3.35 V			5.5 V			1 msec	
B2h				+10.0V		AVDD/2-2.00V	-0.50V						5.6 V			2 msec	
B3h				+10.2V		AVDD/2-2.04V	-0.51V						5.7 V			3 msec	
B4h				+10.4V		AVDD/2-2.08V	-0.52V						5.8 V			4 msec	
B5h				+10.6V		AVDD/2-2.12V	-0.53V						5.9 V				
B6h				+10.8V		AVDD/2-2.16V	-0.54V						6.0 V			5 msec	
B7h				+11.0V		AVDD/2-2.20V	-0.55V						6.1 V				
B8h				+11.2V		AVDD/2-2.24V	-0.56V			3.40 V			6.2 V			0 msec	
B9h				+11.4V		AVDD/2-2.28V	-0.57V						6.3 V			1 msec	
BAh				+11.6V		AVDD/2-2.32V	-0.58V						6.4 V			2 msec	
BAh				+11.8V		AVDD/2-2.36V	-0.59V						6.5 V			3 msec	
BAh				+12.0V		AVDD/2-2.40V	-0.60V						6.6 V			4 msec	
BDh				+12.2V		AVDD/2-2.44V	-0.61V						6.7 V				
BEh				+12.4V		AVDD/2-2.48V	-0.62V						6.8 V			5 msec	
BFh				+12.6V		AVDD/2-2.52V	-0.63V						6.9 V				
C0h			Enable	+12.8V		AVDD/2-2.56V	-0.64V	Enable	VD Phase Set 2	0.90 V			0.6 V	Enable		0 msec	
C1h				+13.0V		AVDD/2-2.60V	-0.65V			0.95 V			0.7 V			1 msec	
C2h				+13.2V		AVDD/2-2.64V	-0.66V			1.00 V			0.8 V			2 msec	
C3h				+13.4V		AVDD/2-2.68V	-0.67V			1.05 V			0.9 V			3 msec	
C4h				+13.6V		AVDD/2-2.72V	-0.68V			1.10 V			1.0 V			4 msec	
C5h				+13.8V	-14.0 V	AVDD/2-2.76V	-0.69V			1.15 V			1.1 V				
C6h				+14.0V		AVDD/2-2.80V	-0.70V			1.20 V			1.2 V			5 msec	
C7h				+14.2V		AVDD/2-2.84V	-0.71V			1.25 V			1.3 V				
C8h				+14.4V		AVDD/2-2.88V	-0.72V			1.30 V			1.4 V			0 msec	
C9h				+14.6V		AVDD/2-2.92V	-0.73V			1.35 V			1.5 V			1 msec	
CAh				+14.8V		AVDD/2-2.96V	-0.74V			1.40 V			1.6 V			2 msec	
CAh						AVDD/2-3.00V	-0.75V			1.45 V			1.7 V			3 msec	
CAh						AVDD/2-3.04V	-0.76V			1.50 V			1.8 V			4 msec	
CAh						AVDD/2-3.08V	-0.77V			1.55 V			1.9 V				
CAh						AVDD/2-3.12V	-0.78V			1.60 V			2.0 V			5 msec	
CAh						AVDD/2-3.16V	-0.79V			1.65 V			2.1 V				
CAh						AVDD/2-3.20V	-0.80V			1.70 V			2.2 V			0 msec	
CAh						AVDD/2-3.24V	-0.81V			1.75 V			2.3 V			1 msec	
CAh						AVDD/2-3.28V	-0.82V			1.80 V			2.4 V			2 msec	
CAh						AVDD/2-3.32V	-0.83V			1.85 V			2.5 V			3 msec	
D4h	17.0 V					AVDD/2-3.36V	-0.84V			1.90 V			2.6 V			4 msec	
D5h						AVDD/2-3.40V	-0.85V			1.95 V			2.7 V				
D6h						AVDD/2-3.44V	-0.86V			2							

Command Table - continued

DATA (HEX)	Register Address														Start-up Bit [7]	VGH mode select [6]	VGH/VGL Frequency [5:4]	VDD Frequency [3:2]	AVDD Frequency [1:0]	Check Sum [7:0]
	DataRef [7]	Delay3 time [6:4]	DoubleReg [3]	Delay2 time [2:0]	VGH Discharge Enable [7]	Delay5 time [6:4]	AR_Time [3]	Delay4 time [2:0]	AVDD COMP [7]	AVDD OCP Select [6]	AVDD SS time [5:4]	AVDD SW Slew Rate [3:2]	AVDD COL [1:0]							
00h	Disable	0 msec	Disable	0 msec	Enable	0 msec	0 msec	AV_COM P. Set 1	2.0 A	5 msec	Slow2	AVC Set1	x3 mode	2.1MHz	525KHz	2.1MHz				
01h				5 msec			5 msec					1.05MHz		1.05MHz						
02h				10 msec			10 msec					2.1MHz		2.1MHz						
03h				15 msec			15 msec					1.05MHz		1.05MHz						
04h				20 msec			20 msec					2.1MHz		2.1MHz						
05h				25 msec			25 msec					1.05MHz		1.05MHz						
06h				30 msec			30 msec					525KHz		525KHz						
07h				40 msec			40 msec					AVC Set4		AVC Set4						
08h				0 msec			0 msec					AVC Set1		AVC Set1						
09h				5 msec			5 msec					AVC Set2		AVC Set2						
0Ah				10 msec			10 msec					AVC Set3		AVC Set3						
0Bh				15 msec			15 msec					AVC Set4		AVC Set4						
0Ch				20 msec			20 msec					AVC Set1		AVC Set1						
0Dh				25 msec			25 msec					AVC Set2		AVC Set2						
0Eh				30 msec			30 msec					AVC Set3		AVC Set3						
0Fh				40 msec			40 msec					AVC Set4		AVC Set4						
10h				0 msec			0 msec					AVC Set1		AVC Set1						
11h				5 msec			5 msec					AVC Set2		AVC Set2						
12h				10 msec			10 msec					AVC Set3		AVC Set3						
13h				15 msec			15 msec					AVC Set4		AVC Set4						
14h				20 msec			20 msec					AVC Set1		AVC Set1						
15h				25 msec			25 msec					AVC Set2		AVC Set2						
16h				30 msec			30 msec					AVC Set3		AVC Set3						
17h				40 msec			40 msec					AVC Set4		AVC Set4						
18h				0 msec			0 msec					AVC Set1		AVC Set1						
19h				5 msec			5 msec					AVC Set2		AVC Set2						
1Ah				10 msec			10 msec					AVC Set3		AVC Set3						
1Bh				15 msec			15 msec					AVC Set4		AVC Set4						
1Ch				20 msec			20 msec					AVC Set1		AVC Set1						
1Dh				25 msec			25 msec					AVC Set2		AVC Set2						
1Eh				30 msec			30 msec					AVC Set3		AVC Set3						
1Fh				40 msec			40 msec					AVC Set4		AVC Set4						
20h				0 msec			0 msec					AVC Set1		AVC Set1						
21h				5 msec			5 msec					AVC Set2		AVC Set2						
22h				10 msec			10 msec					AVC Set3		AVC Set3						
23h				15 msec			15 msec					AVC Set4		AVC Set4						
24h				20 msec			20 msec					AVC Set1		AVC Set1						
25h				25 msec			25 msec					AVC Set2		AVC Set2						
26h				30 msec			30 msec					AVC Set3		AVC Set3						
27h				40 msec			40 msec					AVC Set4		AVC Set4						
28h				0 msec			0 msec					AVC Set1		AVC Set1						
29h				5 msec			5 msec					AVC Set2		AVC Set2						
2Ah				10 msec			10 msec					AVC Set3		AVC Set3						
2Bh				15 msec			15 msec					AVC Set4		AVC Set4						
2Ch				20 msec			20 msec					AVC Set1		AVC Set1						
2Dh				25 msec			25 msec					AVC Set2		AVC Set2						
2Eh				30 msec			30 msec					AVC Set3		AVC Set3						
2Fh				40 msec			40 msec					AVC Set4		AVC Set4						
30h				0 msec			0 msec					AVC Set1		AVC Set1						
31h				5 msec			5 msec					AVC Set2		AVC Set2						
32h				10 msec			10 msec					AVC Set3		AVC Set3						
33h				15 msec			15 msec					AVC Set4		AVC Set4						
34h				20 msec			20 msec					AVC Set1		AVC Set1						
35h				25 msec			25 msec					AVC Set2		AVC Set2						
36h				30 msec			30 msec					AVC Set3		AVC Set3						
37h				40 msec			40 msec					AVC Set4		AVC Set4						
38h				0 msec			0 msec					AVC Set1		AVC Set1						
39h				5 msec			5 msec					AVC Set2		AVC Set2						
3Ah				10 msec			10 msec					AVC Set3		AVC Set3						
3Bh				15 msec			15 msec					AVC Set4		AVC Set4						
3Ch				20 msec			20 msec					AVC Set1		AVC Set1						
3Dh				25 msec			25 msec					AVC Set2		AVC Set2						
3Eh				30 msec			30 msec					AVC Set3		AVC Set3						
3Fh				40 msec			40 msec					AVC Set4		AVC Set4						
40h				0 msec			0 msec					AVC Set1		AVC Set1						
41h				5 msec			5 msec					AVC Set2		AVC Set2						
42h				10 msec			10 msec					AVC Set3		AVC Set3						
43h				15 msec			15 msec					AVC Set4		AVC Set4						
44h				20 msec			20 msec					AVC Set1		AVC Set1						
45h				25 msec			25 msec					AVC Set2		AVC Set2						
46h				30 msec			30 msec					AVC Set3		AVC Set3						
47h				40 msec			40 msec					AVC Set4		AVC Set4						
48h	0 msec	0 msec	AVC Set1	AVC Set1																
49h	5 msec	5 msec	AVC Set2	AVC Set2																
4Ah	10 msec	10 msec	AVC Set3	AVC Set3																
4Bh	15 msec	15 msec	AVC Set4	AVC Set4																
4Ch	20 msec	20 msec	AVC Set1	AVC Set1																
4Dh	25 msec	25 msec	AVC Set2	AVC Set2																
4Eh	30 msec	30 msec	AVC Set3	AVC Set3																
4Fh	40 msec	40 msec	AVC Set4	AVC Set4																
50h	0 msec	0 msec	AVC Set1	AVC Set1																
51h	5 msec	5 msec	AVC Set2	AVC Set2																
52h	10 msec	10 msec	AVC Set3	AVC Set3																
53h	15 msec	15 msec	AVC Set4	AVC Set4																
54h	20 msec	20 msec	AVC Set1	AVC Set1																
55h	25 msec	25 msec	AVC Set2	AVC Set2																
56h	30 msec	30 msec	AVC Set3	AVC Set3																
57h	40 msec	40 msec	AVC Set4	AVC Set4																
58h	0 msec	0 msec	AVC Set1	AVC Set1																
59h	5 msec	5 msec	AVC Set2	AVC Set2																
5Ah	10 msec	10 msec	AVC Set3	AVC Set3																
5Bh	15 msec	15 msec	AVC Set4	AVC Set4																
5Ch	20 msec	20 msec	AVC Set1	AVC Set1																
5Dh	25 msec	25 msec	AVC Set2	AVC Set2																
5Eh	30 msec	30 msec	AVC Set3	AVC Set3																
5Fh	40 msec	40 msec	AVC Set4	AVC Set4																
60h	0 msec	0 msec	AVC Set1	AVC Set1																
61h	5 msec	5 msec	AVC Set2	AVC Set2																
62h	10 msec	10 msec	AVC Set3	AVC Set3																
63h	15 msec	15 msec	AVC Set4	AVC Set4																
64h	20 msec	20 msec	AVC Set1	AVC Set1																
65h	25 msec	25 msec	AVC Set2	AVC Set2																
66h	30 msec	30 msec	AVC Set3	AVC Set3																
67h	40 msec	40 msec	AVC Set4	AVC Set4																
68h	0 msec	0 msec	AVC Set1	AVC Set1																
69h	5 msec	5 msec	AVC Set2	AVC Set2																
6Ah	10 msec	10 msec	AVC Set3	AVC Set3																
6Bh	15 msec	15 msec	AVC Set4	AVC Set4																
6Ch	20 msec	20 msec	AVC Set1	AVC Set1																
6Dh	25 msec	25 msec	AVC Set2	AVC Set2																
6Eh	30 msec	30 msec	AVC Set3	AVC Set3																
6Fh	40 msec	40 msec	AVC Set4	AVC Set4																
70h	0 msec	0 msec	AVC Set1	AVC Set1																
71h	5 msec	5 msec	AVC Set2	AVC Set2																
72h	10 msec	10 msec	AVC Set3	AVC Set3																
73h	15 msec	15 msec	AVC Set4	AVC Set4																
74h	20 msec	20 msec	AVC Set1	AVC Set1																
75h	25 msec	25 msec	AVC Set2	AVC Set2																
76h	30 msec	30 msec	AVC Set3	AVC Set3																
77h	40 msec	40 msec	AVC Set4	AVC Set4																
78h	0 msec	0 msec	AVC Set1	AVC Set1																
79h	5 msec	5 msec	AVC Set2	AVC Set2																
7Ah	10 msec	10 msec	AVC Set3	AVC Set3																
7Bh	15 msec	15 msec	AVC Set4	AVC Set4																
7Ch	20 msec	20 msec	AVC Set1	AVC Set1																
7Dh	25 msec	25 msec	AVC Set2	AVC Set2																
7Eh	30 msec	30 msec	AVC Set3	AVC Set3																
7Fh	40 msec	40 msec	AVC Set4	AVC Set4																

Command Table – continued

DATA (HEX)	Register Address																	
	09h				0Ah				0Bh				0Ch				0Dh	
DataRef [7]	Delay3 time [6:4]	DoubleReg [3]	Delay2 time [2:0]	VGH Discharge Enable [7]	Delay5 time [6:4]	AR_Time [3]	Delay4 time [2:0]	AVDD COMP [7]	AVDD OCP Select [6]	AVDD SS time [5:4]	AVDD SW Slew Rate [3:2]	AVDD COIL [1:0]	Start-up Bit [7]	VGH mode select [6]	VGH/VGL Frequency [5:4]	VDD Frequency [3:2]	AVDD Frequency [1:0]	Check Sum [7:0]
80h	Enable	Disable	0 msec	Disable	0 msec	0.5 sec	0 msec	AV_COMP_Sel2	2.0 A	5 msec	Slow2	AVC Set1	Enable	x3 mode	2.1MHz	2.1MHz	2.1MHz	0Dh
81h			5 msec				5 msec					1.05MHz			1.05MHz			
82h			10 msec				10 msec					2.1MHz			2.1MHz			
83h			15 msec				15 msec					525KHz			525KHz			
84h			20 msec				20 msec					AVC Set1			2.1MHz			
85h			25 msec				25 msec					AVC Set2			1.05MHz			
86h			30 msec				30 msec					AVC Set3			525KHz			
87h			40 msec				40 msec					AVC Set4			525KHz			
88h		Enable	0 msec		0 msec	1.0 sec	1.0 sec				Fast1	AVC Set1			2.1MHz	2.1MHz		
89h			5 msec									5 msec			1.05MHz	1.05MHz		
8Ah			10 msec									10 msec			2.1MHz	2.1MHz		
8Bh			15 msec									15 msec			525KHz	525KHz		
8Ch			20 msec									20 msec			AVC Set1	2.1MHz		
8Dh			25 msec									25 msec			AVC Set2	1.05MHz		
8Eh			30 msec									30 msec			AVC Set3	525KHz		
8Fh			40 msec									40 msec			AVC Set4	525KHz		
90h	5 msec	Disable	0 msec	2 msec	0.5 sec	Slow2	AVC Set1	10 msec	Slow1	1.05MHz	1.05MHz	2.1MHz	2.1MHz	2.1MHz				
91h			5 msec				5 msec			1.05MHz		1.05MHz						
92h			10 msec				10 msec			2.1MHz		2.1MHz						
93h			15 msec				15 msec			525KHz		525KHz						
94h			20 msec				20 msec			AVC Set1		1.05MHz						
95h			25 msec				25 msec			AVC Set2		525KHz						
96h			30 msec				30 msec			AVC Set3		525KHz						
97h			40 msec				40 msec			AVC Set4		525KHz						
98h		Enable	0 msec		0 msec	1.0 sec	1.0 sec		Fast1	AVC Set1		1.05MHz	2.1MHz					
99h			5 msec							5 msec		2.1MHz	2.1MHz					
9Ah			10 msec							10 msec		525KHz	525KHz					
9Bh			15 msec							15 msec		AVC Set1	525KHz					
9Ch			20 msec							20 msec		AVC Set2	2.1MHz					
9Dh			25 msec							25 msec		AVC Set3	1.05MHz					
9Eh			30 msec							30 msec		AVC Set4	525KHz					
9Fh			40 msec							40 msec		AVC Set4	525KHz					
A0h	10 msec	Disable	0 msec	4 msec	0.5 sec	Slow2	AVC Set1	15 msec	Slow1	525KHz	1.05MHz	2.1MHz	2.1MHz	2.1MHz				
A1h			5 msec				5 msec			1.05MHz		1.05MHz						
A2h			10 msec				10 msec			2.1MHz		2.1MHz						
A3h			15 msec				15 msec			525KHz		525KHz						
A4h			20 msec				20 msec			AVC Set1		1.05MHz						
A5h			25 msec				25 msec			AVC Set2		525KHz						
A6h			30 msec				30 msec			AVC Set3		525KHz						
A7h			40 msec				40 msec			AVC Set4		525KHz						
A8h		Enable	0 msec		0 msec	1.0 sec	1.0 sec		Fast1	AVC Set1		525KHz	2.1MHz					
A9h			5 msec							5 msec		2.1MHz	2.1MHz					
AAh			10 msec							10 msec		525KHz	525KHz					
ABh			15 msec							15 msec		AVC Set1	1.05MHz					
ACh			20 msec							20 msec		AVC Set2	525KHz					
ADh			25 msec							25 msec		AVC Set3	2.1MHz					
AEh			30 msec							30 msec		AVC Set4	1.05MHz					
AFh			40 msec							40 msec		AVC Set4	525KHz					
B0h	15 msec	Disable	0 msec	6 msec	0.5 sec	Slow2	AVC Set1	20 msec	Slow1	525KHz	1.05MHz	2.1MHz	2.1MHz	2.1MHz				
B1h			5 msec				5 msec			1.05MHz		1.05MHz						
B2h			10 msec				10 msec			2.1MHz		2.1MHz						
B3h			15 msec				15 msec			525KHz		525KHz						
B4h			20 msec				20 msec			AVC Set1		1.05MHz						
B5h			25 msec				25 msec			AVC Set2		525KHz						
B6h			30 msec				30 msec			AVC Set3		525KHz						
B7h			40 msec				40 msec			AVC Set4		525KHz						
B8h		Enable	0 msec		0 msec	1.0 sec	1.0 sec		Fast1	AVC Set1		525KHz	2.1MHz					
B9h			5 msec							5 msec		2.1MHz	2.1MHz					
BAh			10 msec							10 msec		525KHz	525KHz					
BBh			15 msec							15 msec		AVC Set1	1.05MHz					
BCh			20 msec							20 msec		AVC Set2	525KHz					
BDh			25 msec							25 msec		AVC Set3	2.1MHz					
BEh			30 msec							30 msec		AVC Set4	1.05MHz					
BFh			40 msec							40 msec		AVC Set4	525KHz					
C0h	20 msec	Disable	0 msec	8 msec	0.5 sec	Slow2	AVC Set1	5 msec	Slow1	2.1MHz	1.05MHz	2.1MHz	2.1MHz	2.1MHz				
C1h			5 msec				5 msec			1.05MHz		1.05MHz						
C2h			10 msec				10 msec			2.1MHz		2.1MHz						
C3h			15 msec				15 msec			525KHz		525KHz						
C4h			20 msec				20 msec			AVC Set1		1.05MHz						
C5h			25 msec				25 msec			AVC Set2		525KHz						
C6h			30 msec				30 msec			AVC Set3		525KHz						
C7h			40 msec				40 msec			AVC Set4		525KHz						
C8h		Enable	0 msec		0 msec	1.0 sec	1.0 sec		Fast1	AVC Set1		2.1MHz	2.1MHz					
C9h			5 msec							5 msec		1.05MHz	1.05MHz					
CAh			10 msec							10 msec		2.1MHz	2.1MHz					
CBh			15 msec							15 msec		525KHz	525KHz					
CCh			20 msec							20 msec		AVC Set1	525KHz					
CDh			25 msec							25 msec		AVC Set2	2.1MHz					
CEh			30 msec							30 msec		AVC Set3	1.05MHz					
CFh			40 msec							40 msec		AVC Set4	525KHz					
D0h	25 msec	Disable	0 msec	10 msec	0.5 sec	Slow2	AVC Set1	10 msec	Slow1	1.05MHz	1.05MHz	2.1MHz	2.1MHz	2.1MHz				
D1h			5 msec				5 msec			1.05MHz		1.05MHz						
D2h			10 msec				10 msec			2.1MHz		2.1MHz						
D3h			15 msec				15 msec			525KHz		525KHz						
D4h			20 msec				20 msec			AVC Set1		1.05MHz						
D5h			25 msec				25 msec			AVC Set2		525KHz						
D6h			30 msec				30 msec			AVC Set3		525KHz						
D7h			40 msec				40 msec			AVC Set4		525KHz						
D8h		Enable	0 msec		0 msec	1.0 sec	1.0 sec		Fast1	AVC Set1		1.05MHz	2.1MHz					
D9h			5 msec							5 msec		2.1MHz	2.1MHz					
DAh			10 msec							10 msec		525KHz	525KHz					
DBh			15 msec							15 msec		AVC Set1	525KHz					
DC			20 msec							20 msec		AVC Set2	2.1MHz					
DDh			25 msec							25 msec		AVC Set3	1.05MHz					
DEh			30 msec							30 msec		AVC Set4	525KHz					
DFh			40 msec							40 msec		AVC Set4	525KHz					
E0h	30 msec	Disable	0 msec	10 msec	0.5 sec	Slow2	AVC Set1	5 msec	Slow1	525KHz	1.05MHz	2.1MHz	2.1MHz	2.1MHz				
E1h			5 msec				5 msec			1.05MHz		1.05MHz						
E2h			10 msec				10 msec			2.1MHz		2.1MHz						
E3h			15 msec				15 msec			525KHz		525KHz						
E4h			20 msec				20 msec			AVC Set1		1.05MHz						
E5h			25 msec				25 msec			AVC Set2		525KHz						
E6h			30 msec				30 msec			AVC Set3		525KHz						
E7h			40 msec				40 msec			AVC Set4		525KHz						
E8h		Enable	0 msec		0 msec	1.0 sec	1.0 sec		Fast1	AVC Set1		525KHz	2.1MHz					
E9h			5 msec							5 msec		2.1MHz	2.1MHz					
EAh			10 msec							10 msec		525KHz	525KHz					
EBh			15 msec							15 msec		AVC Set1	525KHz					
EC			20 msec							20 msec		AVC Set2	2.1MHz					
EDh			25 msec							25 msec		AVC Set3	1.05MHz					
EEh			30 msec							30 msec		AVC Set4	525KHz					
EFh			40 msec							40 msec		AVC Set4	525KHz					
F0h	40 msec	Disable	0 msec	10 msec	0.5 sec	Slow2	AVC Set1	20 msec	Slow1	2.1MHz	1.05MHz	2.1MHz	2.1MHz	2.1MHz				
F1h			5 msec				5 msec			1.05MHz		1.05MHz						
F2h			10 msec				10 msec			2.1MHz		2.1MHz						
F3h			15 msec				15 msec			525KHz		525KHz						
F4h			20 msec				20 msec			AVC Set1		1.05MHz						
F5h			25 msec				25 msec			AVC Set2		525KHz						
F6h			30 msec				30 msec			AVC Set3		525KHz						
F7h			40 msec				40 msec			AVC Set4		525KHz						
F8h		Enable	0 msec		0 msec	1.0 sec	1.0 sec		Fast1	AVC Set1		525KHz	2.1MHz					
F9h			5 msec							5 msec		2.1MHz	2.1MHz					
FAh			10 msec							10 msec		525KHz	525KHz					
FBh			15 msec							15 msec		AVC Set1	525KHz					
FCh			20 msec							20 msec		AVC Set2	2.1MHz					
FDh			25 msec							25 msec		AVC Set3	1.05MHz					
FEh			30 msec							30 msec		AVC Set4	525KHz					
FFh			40 msec							40 msec		AVC Set4	525KHz					

Check Sum

Check Sum which has been adopted in BM81810MUV-M is shown below.

You will calculate the Check Sum that the sum of the data, including the Check Sum(CHK7 to CHK0) is 00h.

Register	[7]	[6]	[5]	[4]	[3]	[2]	[1]	[0]
00h	A7	A6	A5	A4	A3	A2	A1	A0
01h	B7	B6	B5	B4	B3	B2	B1	B0
02h	C7	C6	C5	C4	C3	C2	C1	C0
03h	D7	D6	D5	D4	D3	D2	D1	D0
04h	E7	E6	E5	E4	E3	E2	E1	E0
05h	F7	F6	F5	F4	F3	F2	F1	F0
06h	G7	G6	G5	G4	G3	G2	G1	G0
07h	H7	H6	H5	H4	H3	H2	H1	H0
08h	I7	I6	I5	I4	I3	I2	I1	I0
09h	J7	J6	J5	J4	J3	J2	J1	J0
0Ah	K7	K6	K5	K4	K3	K2	K1	K0
0Bh	L7	L6	L5	L4	L3	L2	L1	L0
0Ch	M7	M6	M5	M4	M3	M2	M1	M0
0Dh	CHK7	CHK6	CHK5	CHK4	CHK3	CHK2	CHK1	CHK0

$$[A7:A0] + [B7:B0] + [C7:C0] + [D7:D0] + [E7:E0] + [F7:F0] + [G7:G0] + [H7:H0] + [I7:I0] + [J7:J0] + [K7:K0] + [L7:L0] + [M7:M0] + [CHK7:CHK0] = 00h$$

Soft Start Time

BM81810MUV-M has soft start function on AVDD, VGH, VGL and VDD.
 Time of the soft start is up to the output voltage reaches the typ Value.
 The output voltage typ Value of each block is shown in the following table.

BLOCK	Soft Start Output Voltage Typ Value	Soft Start Time
AVDD	10.5 V	Set Register
VGH	18.0 V	5 msec
VGL	-6.0 V	5 msec
VDD	1.2 V	1 msec

The time setting Soft Start of AVDD is shown in the table below.

Bit		AVDD Soft Start Time
0	0	5 msec
0	1	10 msec
1	0	15 msec
1	1	20 msec

The soft-start time of VGH and VGL are 5msec.
 The soft-start time of VDD is 1msec.

The soft-start setting an example of AVDD and VGH are shown in the figure below.

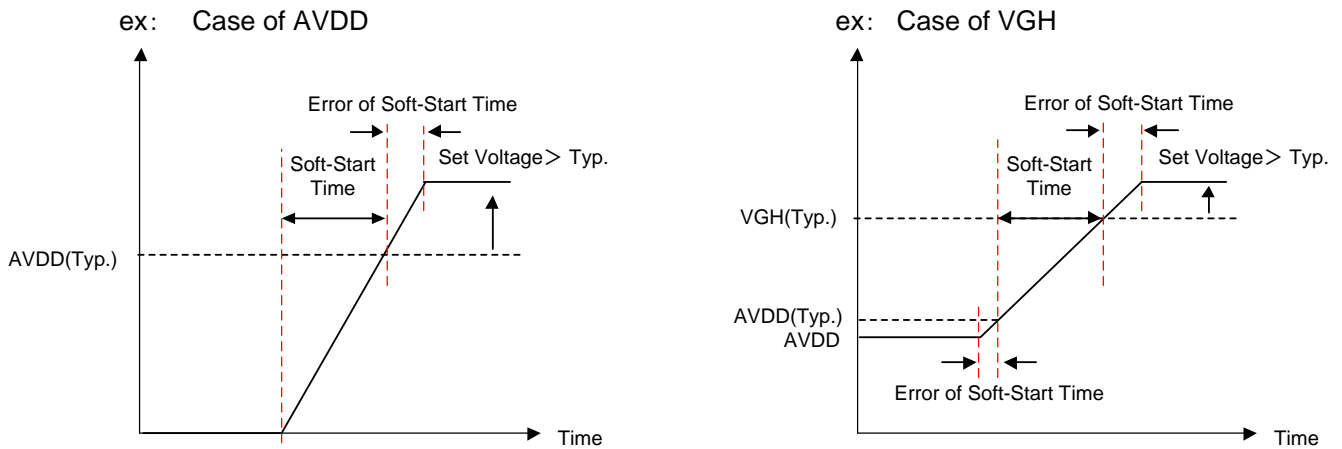


Figure 76. Soft-Start Time

If you change the setting voltage from typ values, occurs error in the soft-start time.

- The setting voltage > Typ Value ... Soft-start will be more slow.
- The setting voltage < Typ Value ... Soft-start will be more faster.

No error of soft-start is occurred for change of frequency.

Block Diagram

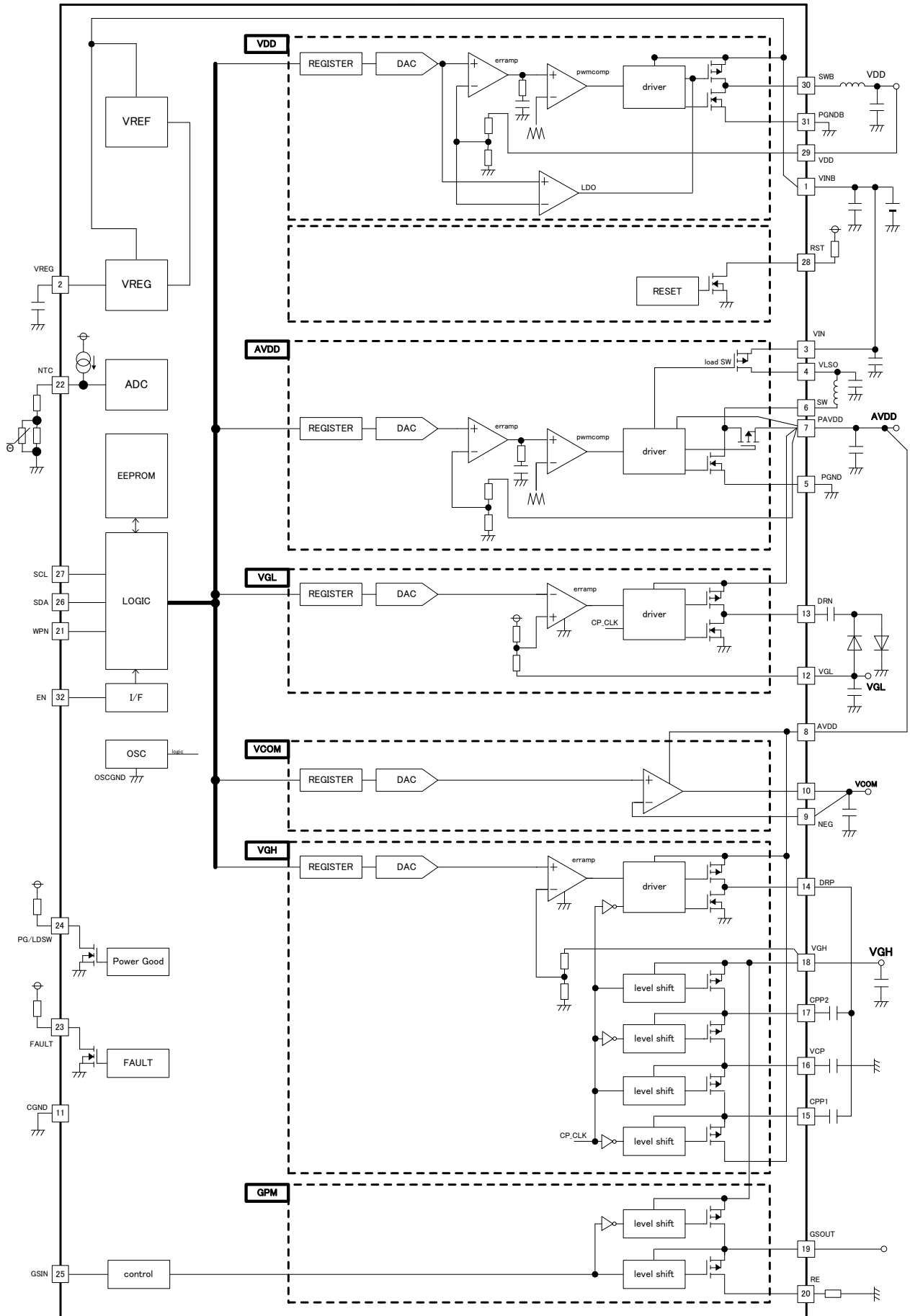


Figure 77. Block Diagram

AVDD Block Function

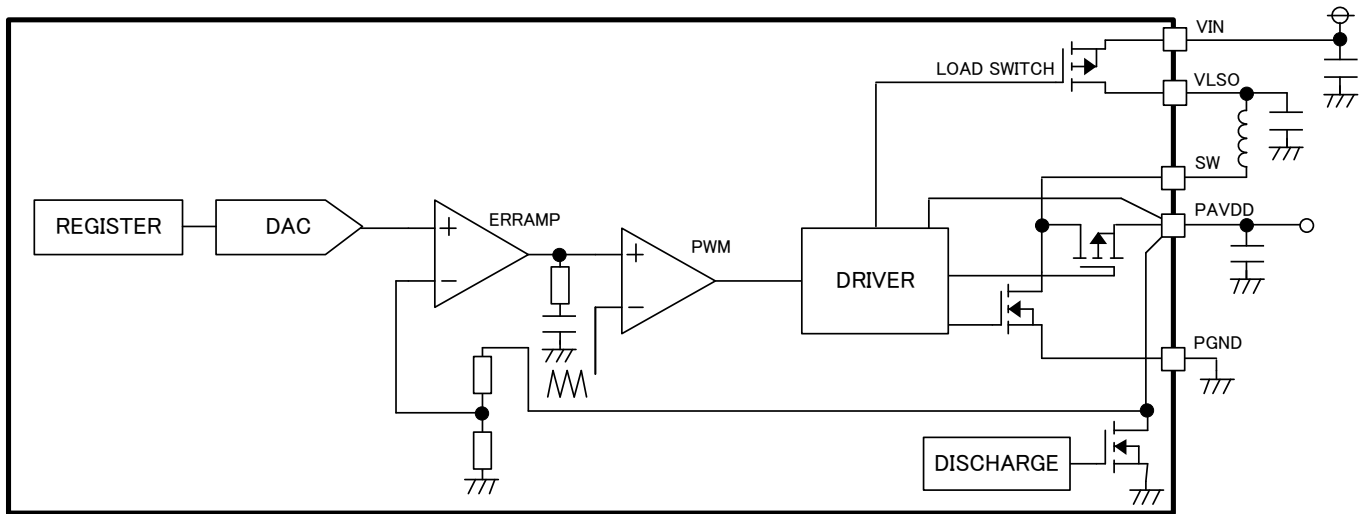


Figure 78. AVDD Block Diagram

AVDD Block (Boost DC / DC) can set the following functions by EEPROM.

1. AVDD Voltage (Register Address 00h [7:0])
AVDD voltage can be set in 0.1V step from 5.0V to 17.0V.
2. SW Switching Frequency (Register Address 0Ch [1:0])
The switching frequency can be set at 525KHz, 1.05MHz or 2.1MHz.
3. Soft Start Time (Register Address 0Bh [5:4])
Soft Start Time of AVDD can be set in 5msec step from 5msec to 20msec.
4. SW Switching Slew Rate (Register Address 0Bh [3:2])
SW pin switching Slew Rate can be controlled by the register setting.
11'b is the fastest slew rate setting, 00'b is the slowest slew rate setting.

The slew rate by each setting is as follows.

Slew Rate changes by the external part and load electric current conditions such as a coil or the diode, but adjustment is possible on a true set condition because Slew Rate changes by Slew Rate setting change like Figure.79.

The EMI properties are improved by slowing a slew rate, but please do enough evaluations after a slew rate change because efficiency becomes the tendency to decrease.

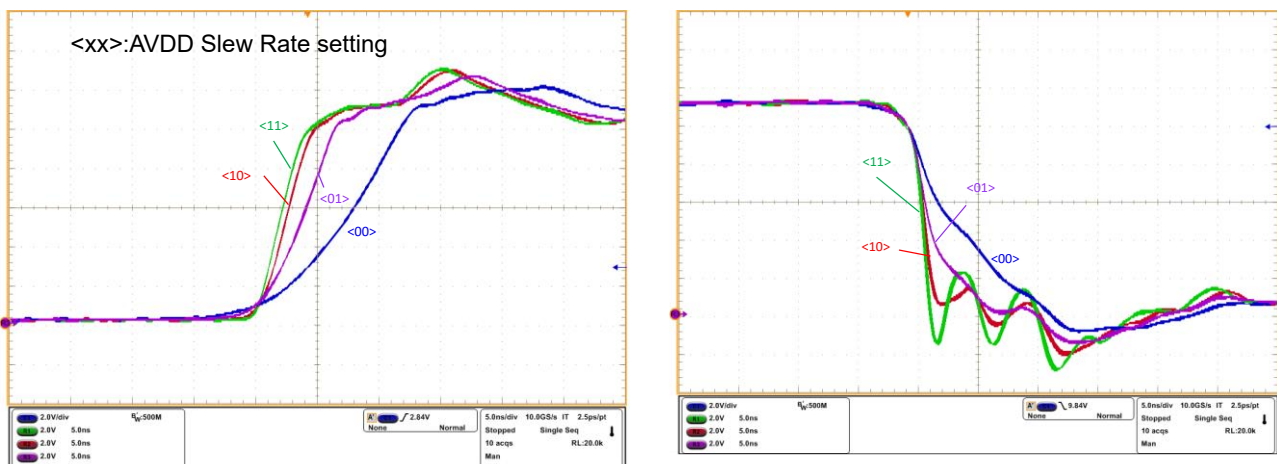


Figure 79. AVDD Switching Slew Rate
(VIN=3.3V, AVDD=10.5V, Freq=2.1MHz, L=4.7μH, IAVDD=100mA)

AVDD Block Function - continued

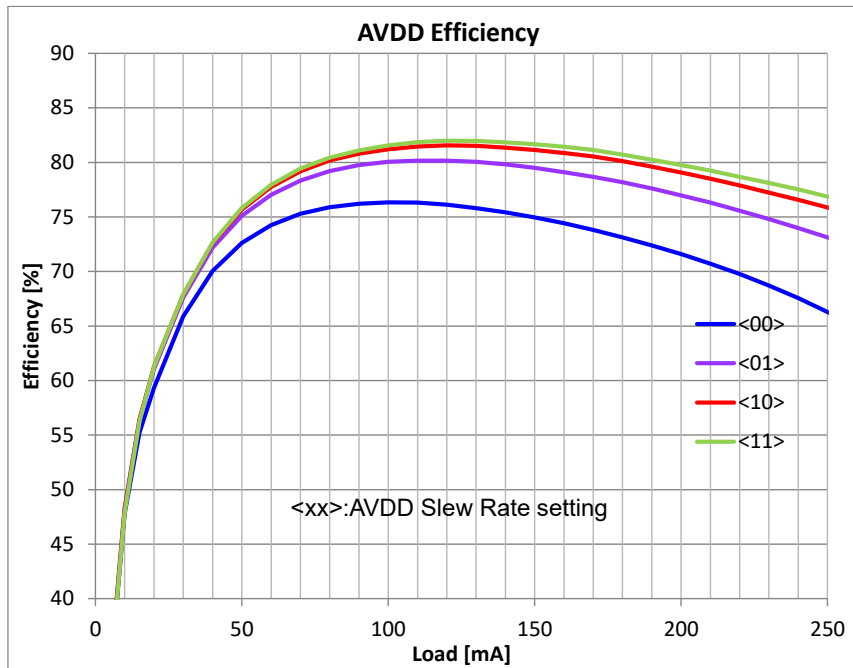


Figure 80. AVDD Efficiency
(dependent on Slew Rate)
(VIN=3.3V, AVDD=10.5V, Freq=2.1MHz, L=4.7μH, IAVDD=100mA)

5. OCP Detect Level (Register Address 0Bh [6])
SW pin Over Current Protection detection level can be set at 1.0A(Min) or 2.0A(Min).
6. COMP Adjust (Register Address 0B [7])
Phase Margin can be adjusted.

0'b: AV_COMP_SET1
1'b: AV_COMP_SET2
7. COIL Adjust (Register Address 0Bh [1:0])
You can adjust the settings to match the coil constant to be used.

00'b:AV_COIL_SET1
01'b:AV_COIL_SET2
10'b:AV_COIL_SET3
11'b:AV_COIL_SET4

Please set the setting of COIL Adjust by frequency setting (fs) and a coil to use.

f _{osc} [kHz]	Coil[μH]	Coil Adjust 0Bh[1:0]	Comp Adjust 0Bh[7]
525	4.7	00'b	0'b
525	10	11'b	0'b
1050	4.7	00'b	0'b
1050	10	11'b	0'b
2100	4.7	00'b	0'b
2100	10	11'b	0'b

*Please become more than 10μF/25V product (GRT31CC81E106KE01) x3 with AVDD output capacitor at the time of the use with a coil of 10μH.

In addition, COMP Adjust coordinates phase constant of the ERRAMP output and is effective to shift to the zero point 25% low frequency side to produce by the ERRAMP output by making Comp Adjust 1'b and is effective in reducing ringing at the time of the load response by the responsiveness adjustment with the actual machine.

AVDD Block Function – continued

About the phase characteristic, please consider it based on enough evaluations with the actual model.

(1) Setting the Output L Constant (Boost Converter)

The coil to use for output is decided by the rating current I_{LR} and input current maximum value I_{INMAX} of the coil.

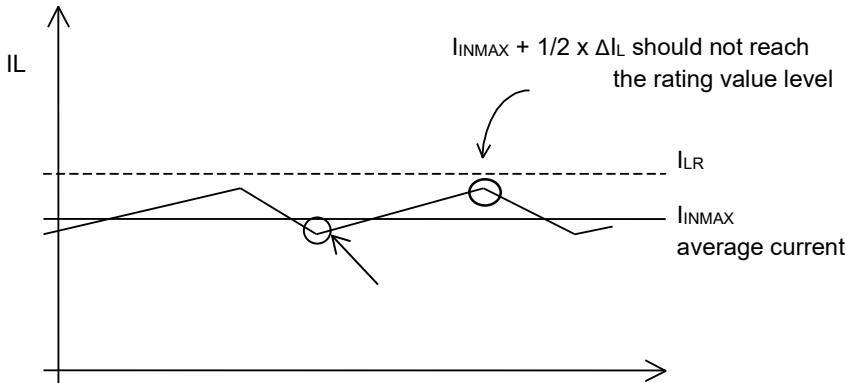


Figure 81. Coil Current Waveform

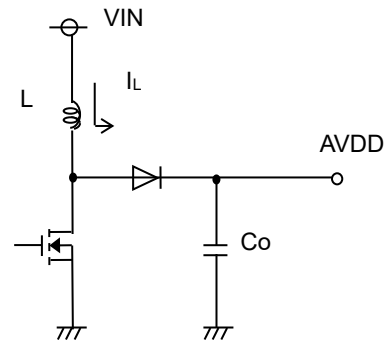


Figure 82. Output Application Circuit Diagram

Adjust so that $I_{INMAX} + \Delta I_L$ does not reach the rating current value I_{LR} . ΔI_L can be obtained by the following equation.

$$\Delta I_L = \frac{1}{L} \times V_{IN} \times \frac{AVDD - V_{IN}}{AVDD} \times \frac{1}{f} \quad [A] \quad \text{Here, } f \text{ is the switching frequency.}$$

Set with sufficient margin because the coil value may have the dispersion of $\pm 30\%$. If the coil current exceeds the rating current I_{LR} of the coil, it may damage the IC internal element.

BM81810MUV-M uses the current mode DC/DC converter control and has the optimized design at the coil value. A coil inductance (L) of 4.7 μH to 10 μH is recommended from viewpoints of electric power efficiency, response, and stability.

(2) Output Capacity Settings

For the capacitor to use for the output, select the capacitor which has the larger value in the ripple voltage V_{PP} allowance value and the drop voltage allowance value at the time of sudden load change. Output ripple voltage is decided by the following equation.

$$\Delta V_{PP} = I_{LMAX} \times R_{ESR} + \frac{1}{f C_o} \times \frac{V_{IN}}{AVDD} \times \left(I_{LMAX} - \frac{\Delta I_L}{2} \right) \quad [V]$$

Here, f is the switching frequency and R_{ESR} is ESR of output capacitor.

Perform setting so that the voltage is within the allowable ripple voltage range.

For the drop voltage during sudden load change; V_{DR} , please perform the rough calculation by the following equation.

$$V_{DR} = \frac{\Delta I}{C_o} \times 10 \mu s \quad [V]$$

However, 10 μs is the rough calculation value of the DC/DC response speed. Please set the capacitance considering the sufficient margin so that these two values are within the standard value range.

(3) Selecting the Input Capacitor

Since the peak current flows between the input and output at the DC/DC converter, a capacitor is required to install at the input side. For the reason, the low ESR capacitor is recommended as an input capacitor which has the value more than 10 μF and less than 100 m Ω . If a capacitor out of this range is selected, the excessive ripple voltage is superposed on the input voltage, accordingly it may cause the malfunction of IC.

However these conditions may vary according to the load current, input voltage, output voltage, inductance and switching frequency. Be sure to perform the margin check using the actual product.

VGH Block Function

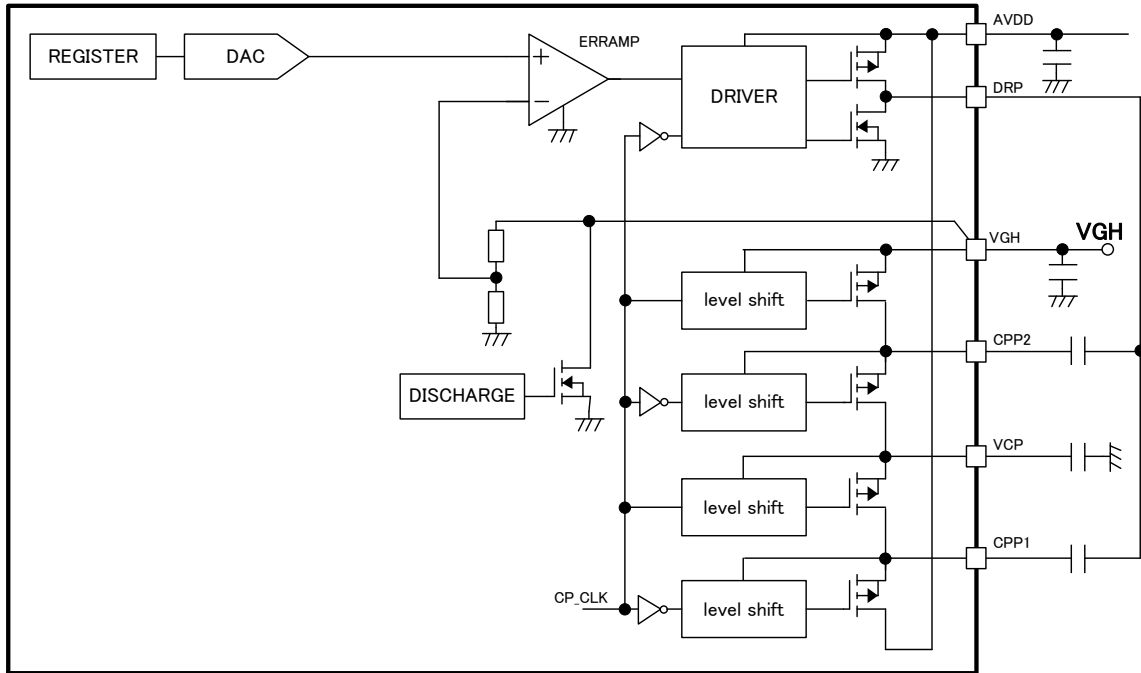


Figure 83. VGH Block Diagram

VGH Block (Positive Charge Pump) can set below functions by EEPROM.

1. VGH (HOT) Voltage (Register Address 01h [7:0])
VGH (HOT) voltage can be set in 0.2V step from 8.0V to 35.0V.
2. DRP Switching Frequency (Register Address 0Ch [5:4])
Switching frequency can be set at AVDD frequency x1, x1/2, or x1/4.
3. VGH (COLD) Voltage (Register Address 02h [6:0])
To set VGH (COLD) voltage can have the VGH voltage relates to NTC Pin voltage, when NTC Function is used.
VGH (COLD) voltage range can be set in 0.2V step from VGH (HOT) + 0V to VGH (HOT) + 15.0V.
Refer "NTC Block Function" for the detail description of NTC Function.
4. VGH Mode Select (Register Address 0Ch [6])
Boost Stage of Positive Charge Pump can be set by x2, x3, or x4.
x2, x3 can be formed with internal element by EEPROM setting.
x4 can be formed by connecting with external Diode.
Since this function switch needs to change the application construction,
input writing signal by I2C cannot perform Register writing.
To write this Register setting, start-up bit(REG0Ch[7]) should be "0".

The VGH voltage output range with the AVDD voltage is related, and may take UVP without being able to output the VGH voltage of the setting when do not choose appropriate constitution.
Please choose appropriate constitution referring after the following pages.

5. VGH Discharge enable (Register Address 0Ah [7])
When OFF sequence, VGH pin Discharge function can be Enable/Disable.
This function is to confirm when IC starts to operate. If read-and-write is performed after IC starts, the first time OFF sequence will not be reflected.

VGH Block Function - continued

Application Example for VGH (3rd Stage Positive Charge Pump)

Depending on the circuit construction, output voltage range of Charge Pump can be limited.

Besides, increasing VGH negative current can lower the possible output voltage.
Please consider the actual application need to select appropriate circuit construction.

Below Figure shows the circuit construction of 3rd Stage Positive Charge Pump.
Under this circuit, the possible setting range of VGH output voltage is $(AVDD + 2) V$ to $(AVDD \times 3 - 2) V$.
(When VGH negative current is 0mA)

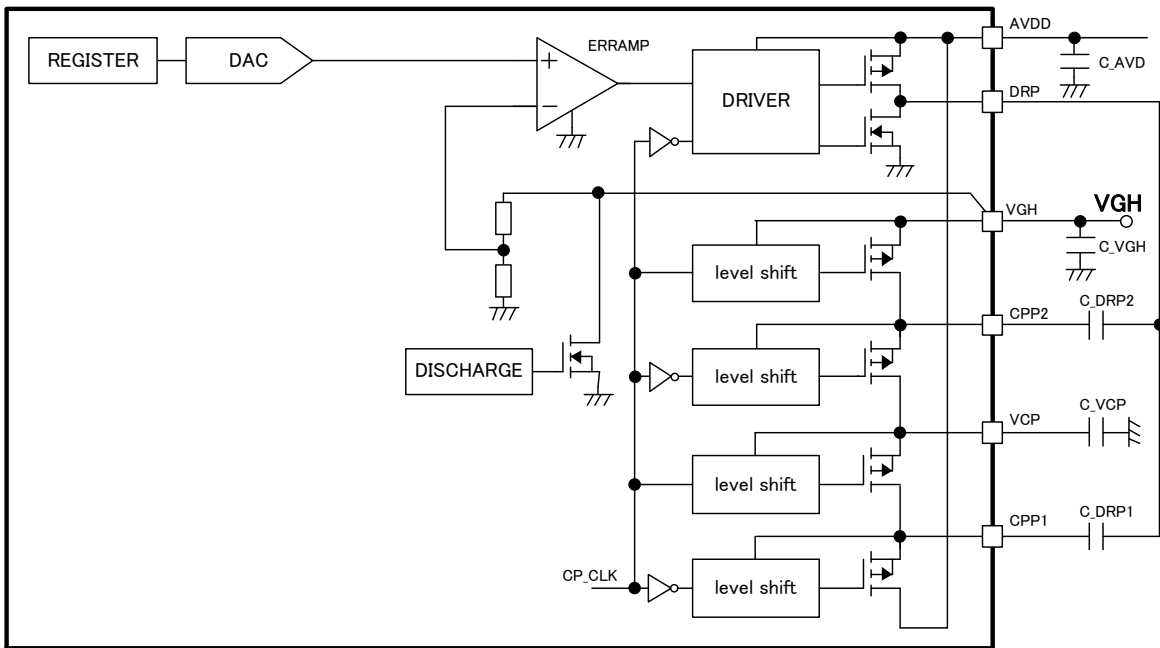


Figure 84. 3rd Stage Positive Charge Pump

Application Example for VGH (2nd Stage Positive Charge Pump)

Below Figure shows the circuit construction of 2nd Stage Positive Charge Pump.
Under this circuit, the possible setting range of VGH output voltage is $(AVDD + 1) V$ to $(AVDD \times 2 - 1) V$.
(When VGH negative current is 0mA)

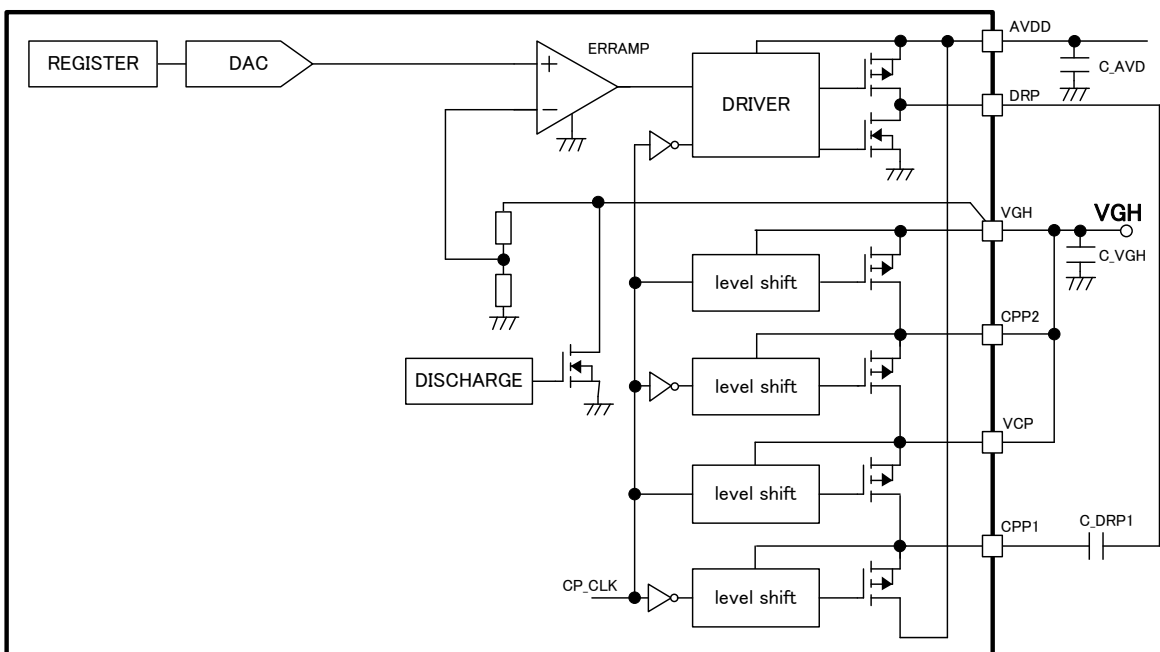


Figure 85. 2nd Stage Positive Charge Pump

VGH Block Function - continued

Application Example for VGH (4th Stage Positive Charge Pump)

Below Figure shows the circuit construction of 4th Stage Positive Charge Pump.
 Under this circuit, the possible setting range of VGH output voltage is $(AVDD + 3) V$ to $(AVDD \times 4 - 3) V$
 (When VGH negative current is 0mA)

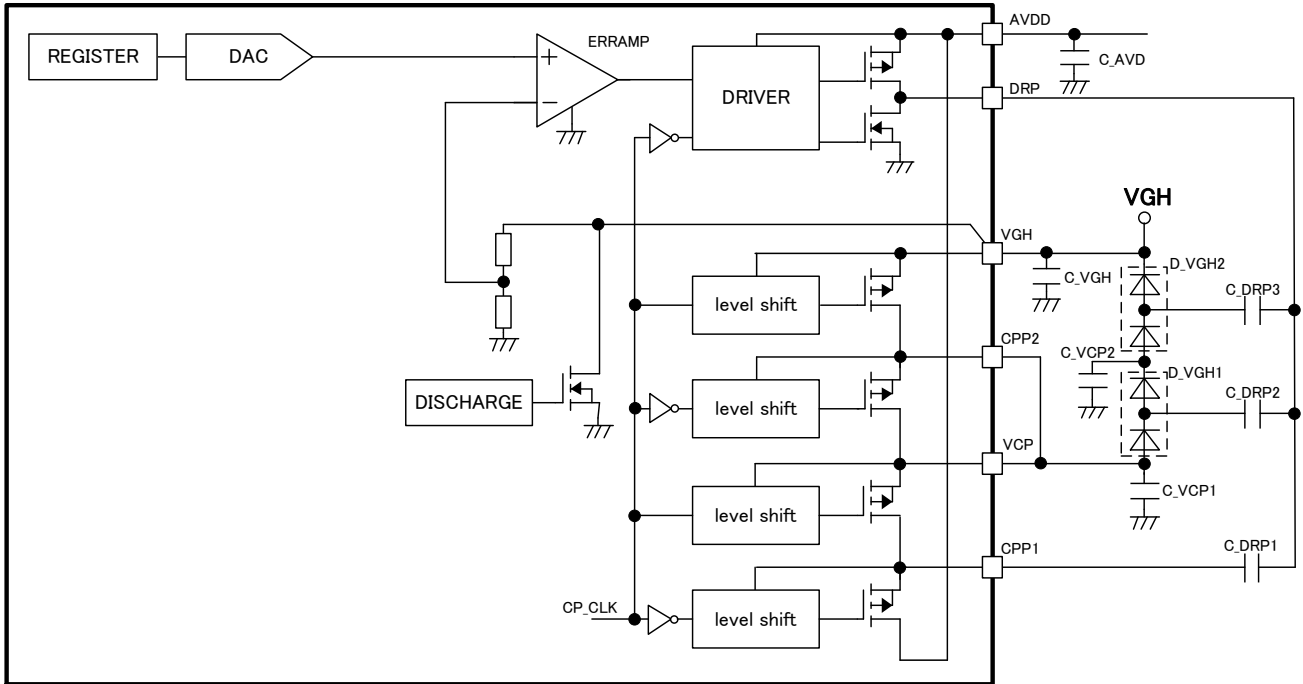


Figure 86. 4th Stage Positive Charge Pump

VGL Block Function

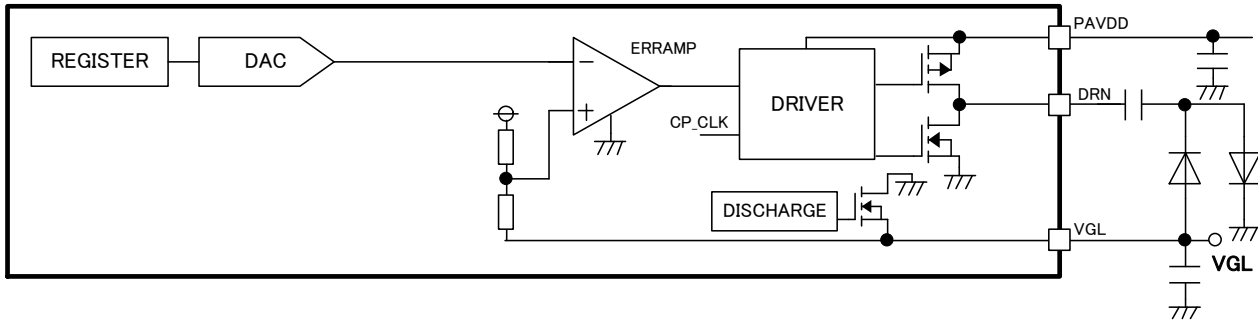


Figure 87. VGL Block Diagram

VGL Block (Negative Charge Pump) can set below functions by EEPROM.

1. VGL Voltage (Register Address 03h [7:0])
VGL voltage can be set by 0.1V step from -4.0V to -14.0V.
2. DRN Switching Frequency (Register Address 0Ch [5:4])
Switching frequency can set AVDD frequency x1, x1/2, or x1/4.

Application Example for VGL (1st Stage Negative Charge Pump)

Below Figure shows the circuit construction of 1st Stage Negative Charge Pump. Under this circuit, the possible setting range of VGL output voltage is -4 V to -(AVDD – 2Vf) V (When VGL positive current is 0mA)

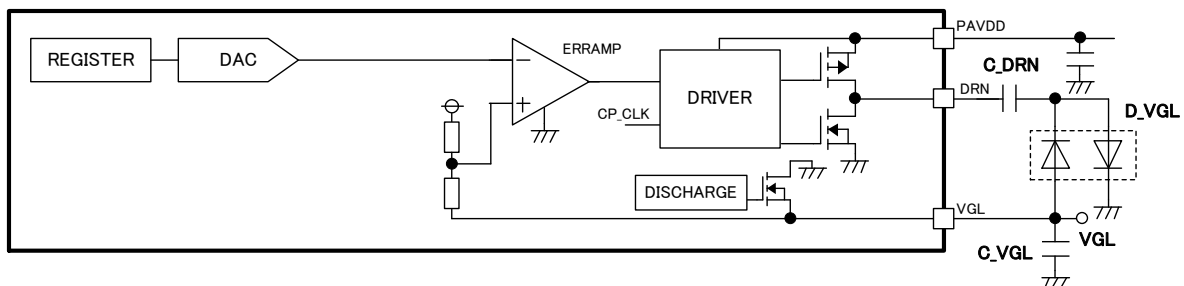


Figure 88. 1st Stage Negative Charge Pump

Application Example for VGL (2nd Stage Negative Charge Pump)

Below Figure shows the circuit construction of 2nd Stage Negative Charge Pump. Under this circuit, the possible setting range of VGL output voltage is -4 V to -(AVDDx2 – 4Vf) V (When VGL positive current is 0mA)

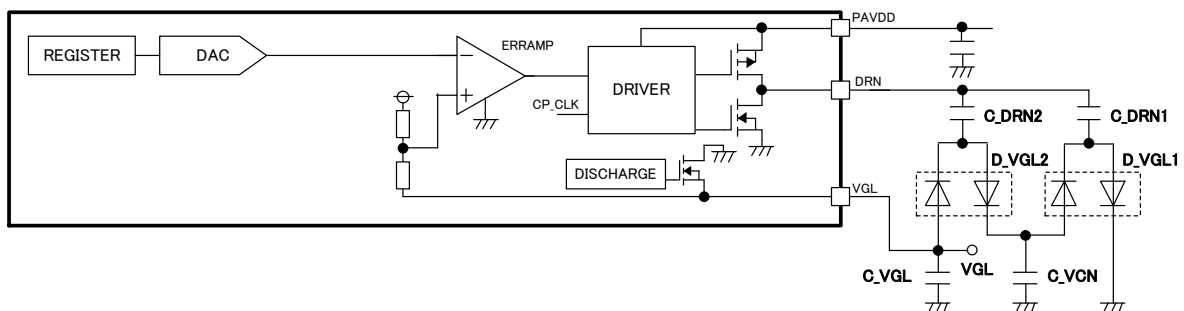


Figure 89. 2nd Stage Negative Charge Pump

VCOM Block Function

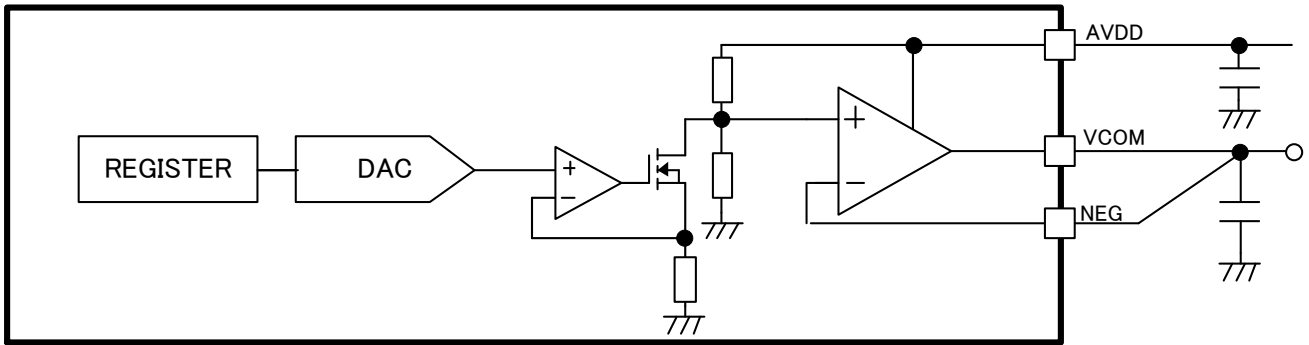
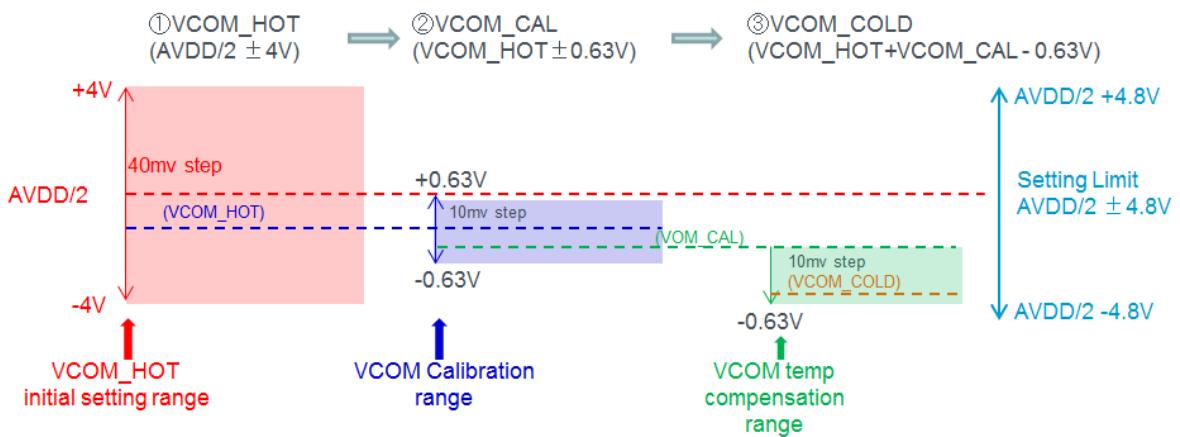


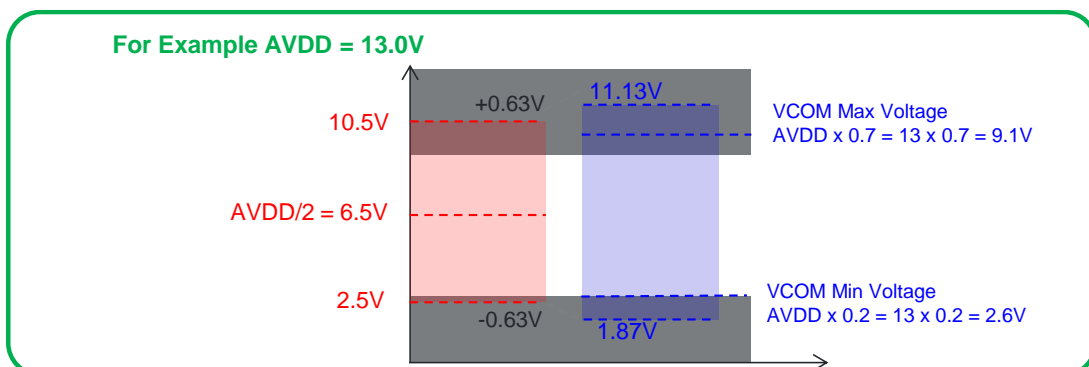
Figure 90. VCOM Block Diagram

VCOM Block (VCOM Calibrator) can set below functions by EEPROM.

1. VCOM (HOT) Voltage (Register Address 04h [7:0])
VCOM (HOT) voltage can be set by 40mV step from AVDD/2 +/- 0.0V to 4.0V.
2. VCOM (CAL) Voltage (Device Address 1001111x)
VCOM (CAL) voltage is the function to make minor adjustment of VCOM (HOT) voltage value.
VCOM (HOT) can be set by 10mV step from +/- 0.0V to 0.63V.
Refer Page 19, "EEPROM I2C Format for DVR (VCOM calibrator)" for VCOM (CAL) voltage setting.
3. VCOM (COLD) Voltage (Register Address 05h [6:0])
To set VCOM (COLD) voltage can have the VCOM voltage relates to NTC Pin voltage, when NTC Function is used.
VCOM (COLD) voltage range can be set by 10mV step from VCOM (CAL)-0V to VCOM (CAL)+0.63V.
Refer "NTC Block Function" for the detail description of NTC Function.



However, VCOM output voltage setting range is AVDD x0.7 to AVDD x0.2 or AVDD/2+4.8V to AVDD/2-4.8V.



VDD Block Function

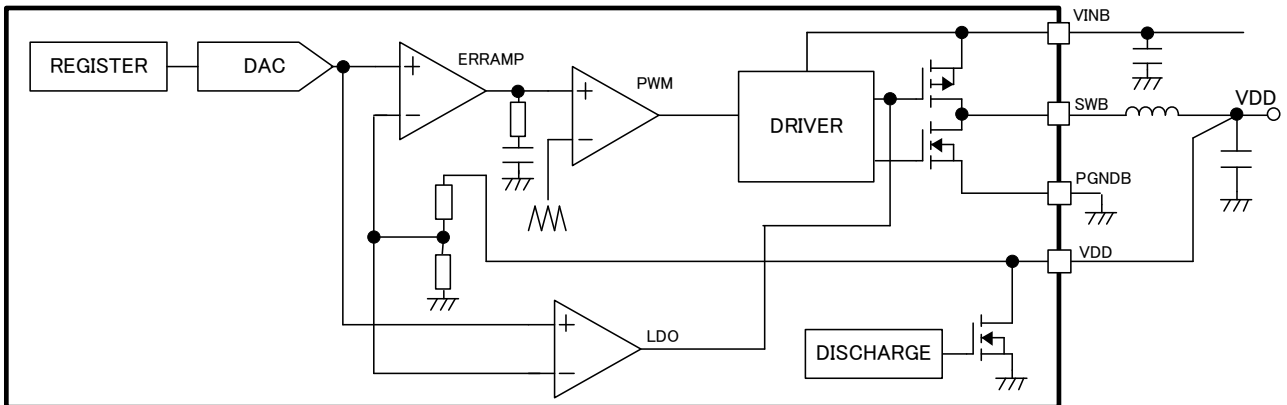


Figure 91. VDD Block Diagram

VDD Block (Buck DC/DC) can set below functions by EEPROM.

1. VDD Voltage (Register Address 06h [5:0])
VDD voltage can be set by 0.05V step from 0.9V to 3.4V.
2. SWB Switching Frequency (Register Address 0Ch [3:2])
Switching frequency can be set at 525KHz, 1.05MHz, or 2.1MHz.
3. VDD Phase Adjust (Register Address 06h [7])
Phase Margin can be adjusted.

0'b : VD_Phase_Set1
1'b : VD_Phase_Set2

VIN[V]	VDD[V]	VDD Phase Adjust
5	0.9 to 1.25	1'b
	1.3 to	0'b
3.3	0.9 to	0'b

Set VDD Phase Adjust 1'b when On-duty < 25%.

4. VDD Mode Select (Register Address 06h [6])
VDD Block can be switched to DC/DC or LDO Mode.
Since this function switch needs to change the application construction, input writing signal by I2C cannot perform Register writing.
To write this Register setting, start-up bit(REG0Ch[7]) should be "0".

VDD Block Function – continued

Application Example for VDD (Buck DC/DC)

VDD application can select Buck DC/DC or LDO by “VDD Mode Select” of EEPROM setting. When VDD Mode is selected at “0”, Buck DC/DC operates. Below figure shows example of Buck DC/DC application circuit.

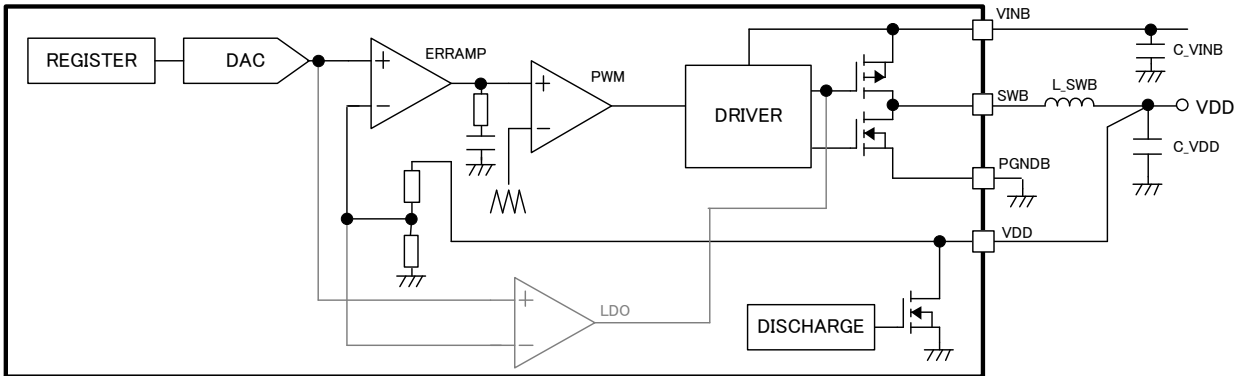


Figure 92. VDD Block Diagram(Buck DC/DC)

Application Example for VDD (LDO)

When VDD Mode is selected at “1”, LDO operates. Below figure shows example of LDO application circuit.

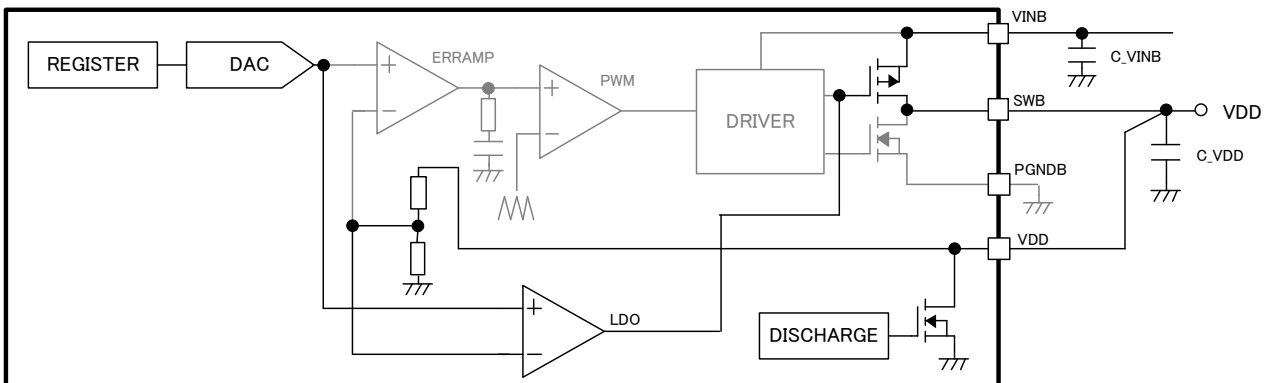


Figure 93. VDD Block Diagram(LDO)

C_VDD in LDO mode, please use 1.0μF to 10μF.

In addition, when VDD function is not used, please set in VDD LDO mode, and, please connect capacitor more than 1.0μF.

GPM Block Function

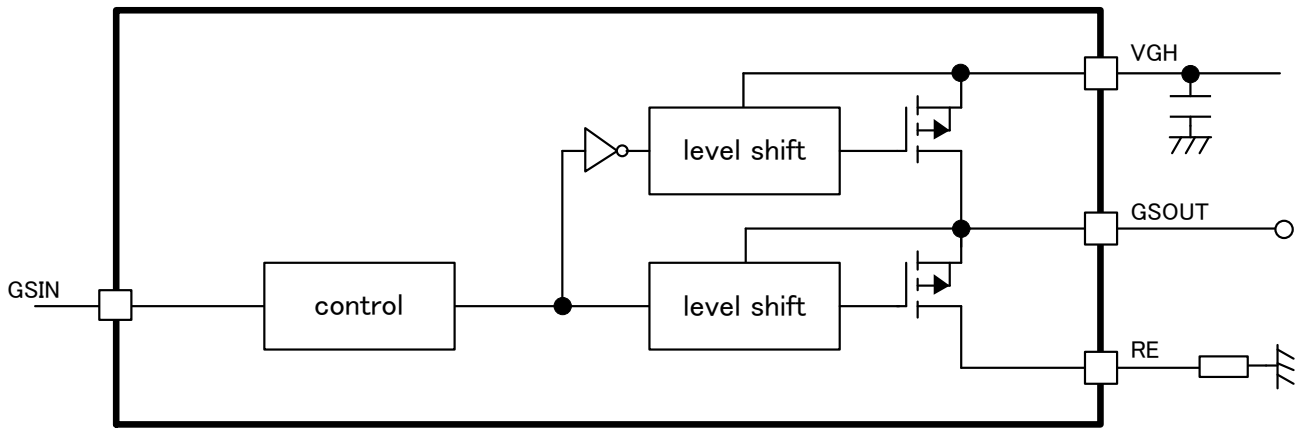


Figure 94. GPM Block Diagram

GPM Block (Gate Pulse Modulation) can set below functions by EEPROM.

1. Input Delay Time (Register Address 07h [7:6])
Falling timing of input signal can be set at 0.1μsec, 0.5μsec, 1.0μsec, or 1.5μsec.

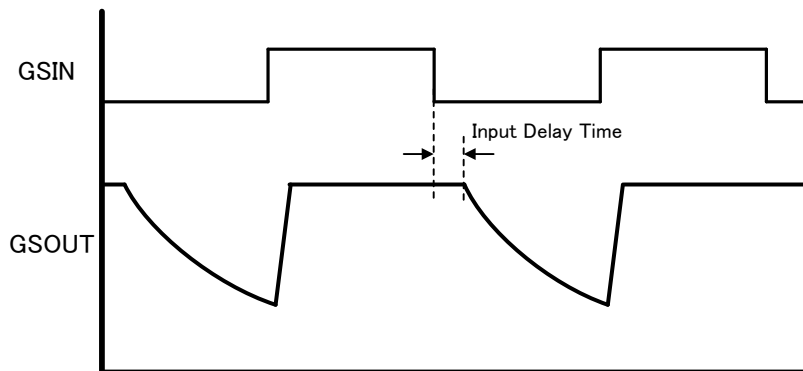


Figure 95. GPM Input Delay Time

Pin connection when GPM is not used

When GPM function is not used, connect GSIN pin to VIN.
Connect RE pin to resistance (2.0kohm).
GSOUT pin should be OPEN.

RESET Block Function

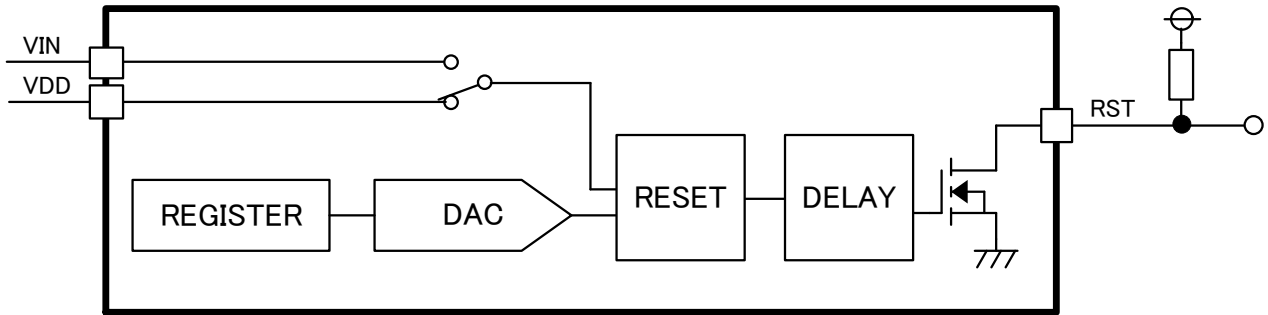


Figure 96. RESET Block Diagram

RESET Block can set below functions by EEPROM.

1. RESET Detect Voltage (Register Address 07h [4:0])
RESET detection voltage can be set by 0.1V step from 0.6V to 3.3V.
2. RESET Monitor Select (Register Address 07h [5])
RESET detection pin can select from VDD and VIN.
3. Delay2 Time (Register Address 09h [2:0])
RESET detection time can be set from 0msec to 40msec.

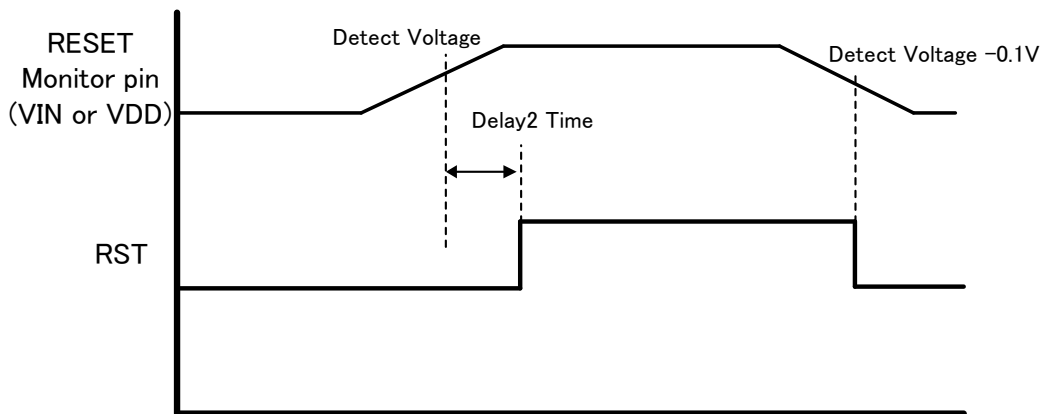


Figure 97. RESET Function

PG/LDSW Block Function

PG/LDSW Block can switch PG (Power Good) and LDSW (Load Switch) function by EEPROM.

Case of PG Function,

When GPM Block becomes workable, PG pin will change from High to Low to recognize as all boost sequence is completed.

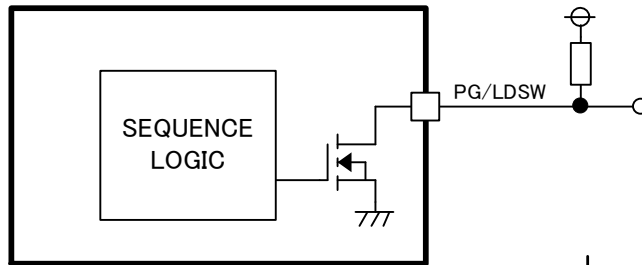
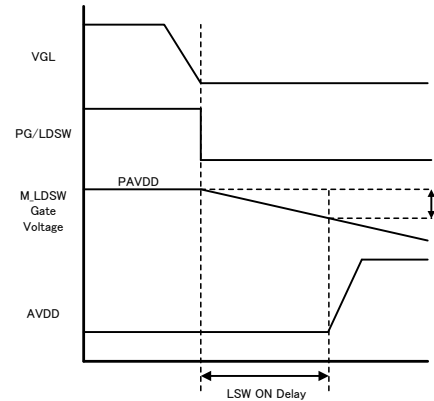


Figure 98. PG/LDSW Block Diagram



Case of LDSW Function,

This function is used when VGL voltage output is prior to AVDD voltage output. With below application construction, "Timing Chart 3" sequence can be realized.

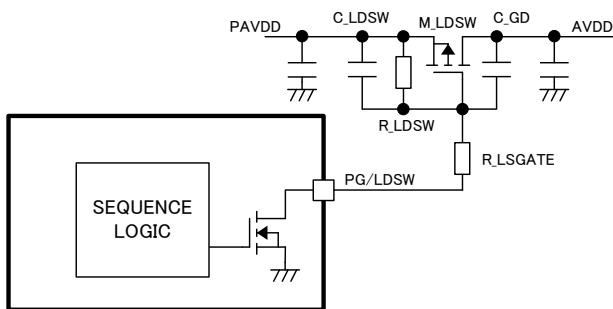


Figure 99. LDSW Function

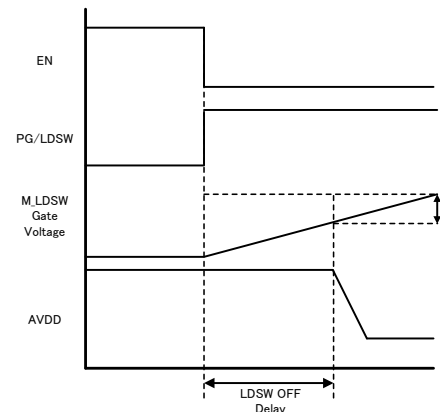


Figure 100. LDSW Delay Time

LDSW on delay can be set by the formula below.

$$LDSW\ ON\ Delay = -C_{LDSW} \times \left(\frac{R_{LSGATE} \times R_{LDSW}}{R_{LSGATE} + R_{LDSW}} \right) \ln \left(1 - \frac{R_{LSGATE} + R_{LDSW}}{R_{LDSW}} \times \frac{V_{th}}{AVDD} \right) [sec]$$

LDSW off delay can be set by the formula below.

$$LDSW\ OFF\ Delay = -C_{LDSW} \times R_{LDSW} \times \ln \left(\frac{R_{LSGATE} + R_{LDSW}}{R_{LDSW}} \times \frac{V_{th}}{AVDD} \right) [sec]$$

where:

AVDD is AVDD setting voltage.

Vth is M_LDSW gate threshold voltage

When using the LDSW function, set the delay3 time to be longer than or equal to the sum of the maximum value including the variation of the load switch ON delay time and VGL soft start time. If the delay3 time setting is short, UVP is applied at startup.

NTC Block Function

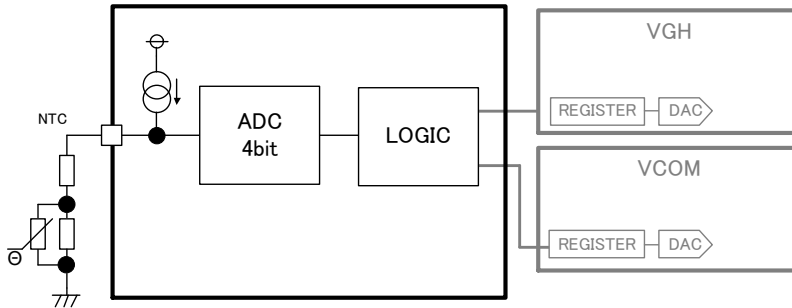


Figure 101. NTC Block Diagram

NTC Block is the function to adjust VGH, VCOM voltage depending on NTC pin voltage.
 NTC pin will output 40μA (Typ) current.
 Connecting thermistor element can perform temperature adjustment function.

Below functions can be set by EEPROM.

1. VGH NTC Enable (Register Address 02h [7])
 VGH Block NTC Function can be changed to Enable or Disable.
2. VCOM NTC Enable (Register Address 05h [7])
 VCOM Block NTC Function can be changed to Enable or Disable.

Pin connection when NTC is not used.

When NTC function is not used, connect NTC pin to OPEN.

EN Block Function

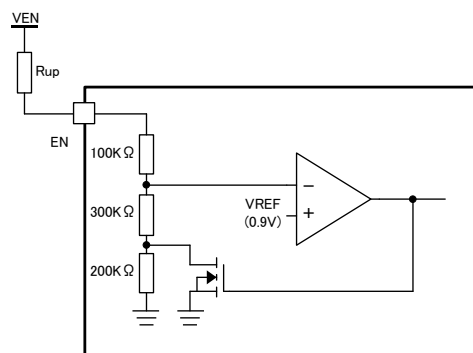


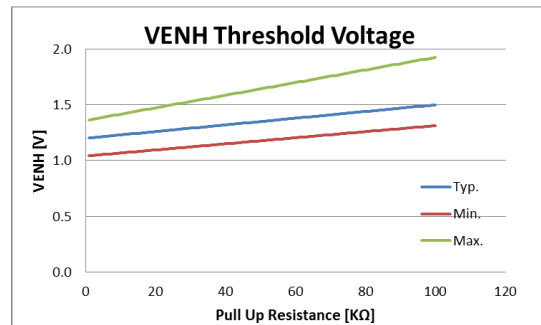
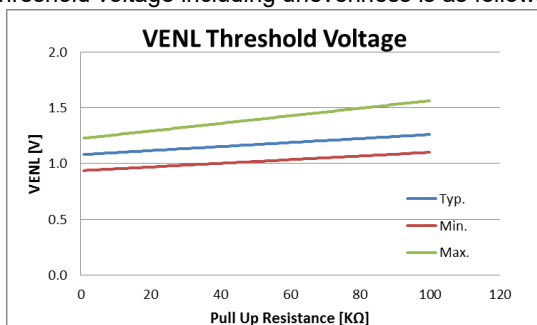
Figure 102. EN Block Diagram

When inserting resistor to EN terminal, EN threshold voltage is decided by resistance division with internal resistor.

Threshold Voltage calculation;

EN threshold voltage high typical (V_{ENH}) = $0.9/300 \times (400 + R_{up})$ [V]
 EN threshold voltage low typical (V_{ENL}) = $0.9/500 \times (600 + R_{up})$ [V]

The EN threshold voltage including unevenness is as follows;



VGH and VCOM temperature compensation

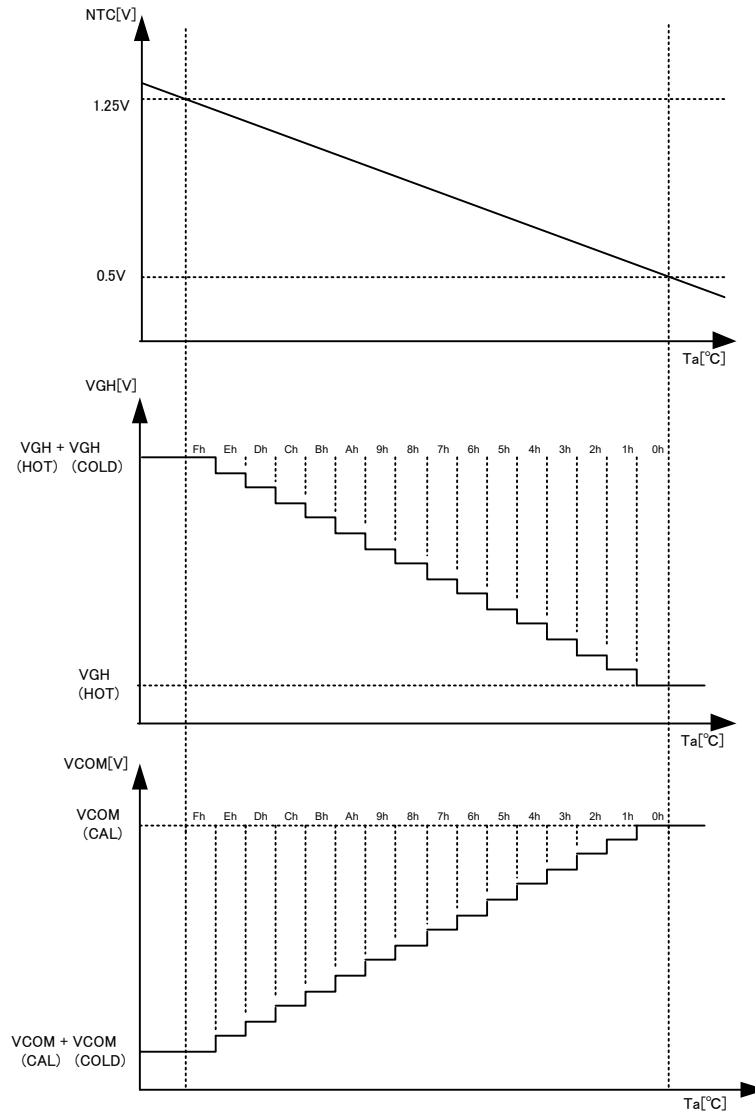


Figure 103. NTC Function

NTC Function can adjust VGH, VCOM voltage depending on NTC voltage (VNTC).
4 bit ADC is used to detect NTC voltage.

When NTC pin voltage $V_{NTC} \leq 0.5V$, NTC function will judge as HOT setting.
In this case, VGH and VCOM output voltage can be calculated by below formula.

$$\begin{aligned} VGH &= VGH (HOT) \\ VCOM &= VCOM (CAL) \end{aligned}$$

When NTC pin voltage $V_{NTC} \geq 1.25V$, NTC function will judge as COLD setting.

$$\begin{aligned} VGH &= VGH (HOT) + \Delta VGH (COLD) \\ VCOM &= VCOM (CAL) - \Delta VCOM (COLD) \end{aligned}$$

When NTC pin voltage is $0.5V < V_{NTC} < 1.25V$, VGH and VCOM can be estimated by below formula.

$$VGH = \frac{\Delta VGH(COLD)}{15} * \left(ROUNDUP \left(\frac{V_{NTC} - 0.5V}{0.047V} \right) - 1 \right) + VGH(HOT) [V]$$

$$VCOM = VCOM(CAL) - \frac{\Delta VCOM(COLD)}{15} * \left(ROUNDUP \left(\frac{V_{NTC} - 0.5V}{0.047V} \right) - 1 \right) [V]$$

FAULT Block Function

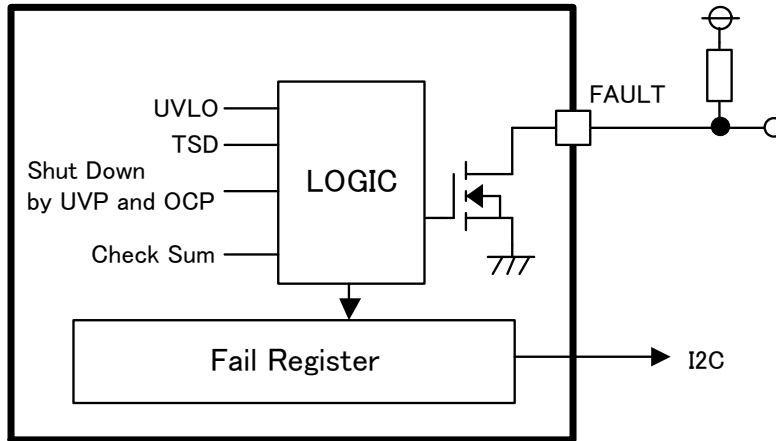


Figure 104. FAULT Block Diagram

FAULT Function is to inform IC situation to outside.
 When the operation is normal, FAULT pin will be High.
 When the operation is abnormal, FAULT pin will be Low.

Below are the conditions to have FAULT pin to Low.

- I. Detect UVLO
- II. Start TSD
- III. Shutdown by UVP or OCP
- IV. Check Sum NG

Fail Register Function

When FAULT PIN is Low, it is possible to confirm which protection circuit is activating by reading Data from Fail Register.

Fail Register will reflect the protection detected circuit at the moment of FAULT=Low
 Register Address of Fail Register is 10h.

Register Address	D7	D6	D5	D4	D3	D2	D1	D0
10h	AVDD UVP	VDD UVP	VGH UVP	VGL UVP	Double Register Error	AVDD OCP	TSD	Check sum Error

Fail Register does not have EEPROM writing function.
 When VIN UVLO is detected, the data will be deleted.

Protection function explanation of POWER MANAGEMENT block

- I. UNDER VOLTAGE LOCK OUT (UVLO)
The BM81810MUV-M has UVLO function for VIN and a circuit miss-operation during in under UVLO voltage operation is prevented. If VIN below UVLO voltage, it shuts down VDD, AVDD, VGH, VGL, GPM, VCOM and RESET.
- II. THERMAL SHUTDOWN (TSD)
The BM81810MUV-M incorporates a Thermal Shut Down (TSD) function. If IC temperature exceeds 175°C (TYP), it shuts down VDD, AVDD, VGH, VGL, GPM, VCOM and RESET.
- III. UNDER VOLTAGE PROTECTION (UVP)
This block has Under Voltage Protection (UVP) function for VDD, AVDD, VGH and VGL output.
When detecting UVP, inner Counter will be activated, and after 5ms passed, it shuts down VDD, AVDD, VGH, VGL, GPM, and VCOM. (It also shuts down RESET when RESET monitors VDD voltage.)
- IV. OVER VOLTAGE PROTECTION (OVP)
This block has Over Voltage Protection (OVP) function for AVDD output.
When detecting OVP, output voltage rising is limited by forcing Switching turn off. If output voltage falls, Switching is restarted.
- V. OVER CURRENT PROTECTION (OCP)
This block has Over Current Protection (OCP) function for VDD and AVDD.
When detecting OCP, it controls Switching and limits generating over current in FET.

BLOCK	Protective Function	Working Condition	Action	Protective removal
VDD	Over current Protection (Buck DCDC mode)	ISWB > 1.0 A (Min)	Control switching pulse duty to not over current limit	ISWB < 1.0 A (Min)
	Over current Protection (LDO mode)	ISWB > 0.3 A (Min)	Control LDO to not over current limit.	ISWB < 0.3 A (Min)
	Under Voltage Protection	Detect : VDD < Target value x 0.8 Release : VDD > Target value x 0.9	IC shutdown if UVP status maintains during 5msec	IC restart
AVDD	Over Voltage Protection	AVDD > (Target value x 1.1)	Switching STOP	AVDD < (Target Value x 1.05)
	Over current Protection	ISW > 1.0 A (Min) or 2.0 A (Min)	Control switching pulse duty to not over current limit IC shutdown if OCP status maintains during 5msec	ISW < 1.0 A (Min) or 2.0 A (Min) IC restart
	Under Voltage Protection	Detect : AVDD < Target value x 0.8 Release : AVDD > Target value x 0.9	IC shutdown if UVP status maintains during 5msec	IC restart
VGH	Under Voltage Protection	Detect : VGH < Target value x 0.8 Release : VGH > Target value x 0.9	IC shutdown if UVP status maintains during 5msec	IC restart
VGL	Under Voltage Protection	Detect : VGL > Target value x 0.8 Release : VGL < Target value x 0.85	IC shutdown if UVP status maintains during 5msec	IC restart
General	Under Voltage Lockout	VIN < 2.0V (Min)	IC shutdown	VIN > 2.55V (Typ)
	Thermal shutdown	Tj > 175°C (Typ)	IC shutdown	Tj < 150°C (Typ)

Double Register

BM81810MUV-M can perform various setting by Register.

If these settings are changed without intension, to avoid application abnormal operation, certain specific Register has error detection function.

Below shows the Register with anomaly detection function.

Register Address	D7	D6	D5	D4	D3	D2	D1	D0
00h	AVDD Output Voltage							
01h	VGH HOT Output Voltage							
02h	VGH NTC Enable	△VGH COLD Voltage						
03h	VGL Output Voltage							
04h	VCOM HOT Output Voltage							
05h	VCOM NTC Enable	VCOM COLD Voltage						
06h	VDD Phase	VDD MODE	VDD Output Voltage					
07h	GPM Input Delay		Reset Monitor Select	Reset Voltage				
08h	Function Select	Delay1 time				Discharge time		
09h	Data Refresh	Delay3 time			DoubleReg	Delay2 time		
0Ah	VGH Discharge Enable	Delay5 time			AR_Time	Delay4 time		
0Bh	AVDD COMP	AVDD OCP Select	AVDD SS Time		AVDD SW Slew Rate		AVDD COIL	
0Ch	Start-up Bit	VGH mode select	VGH/VGL Frequency		VDD Frequency		AVDD Frequency	
0Dh	Check Sum							
10h	AVDD UVP	VDD UVP	VGH UVP	VGL UVP	Double Register Error	AVDD OCP	TSD	Check sum Error

Double Register correspond BIT

Data Refresh

Data Refresh is the Function to read Data from EEPROM periodically.

If Register setting is suddenly changed without intension, Data Refresh function can read Data from EEPROM to recover to the normal Data.

Data Refresh performs at certain cycle period.

The time of period can be set by Register at 0.5sec or 1.0sec.

In the case of WPN=Low, Double Register Function and Data Refresh Function can be set by Register as Enable or Disable. Below table shows the function by each combination.

In the case of WPN=High, Double Register Function and Data Refresh Function are Disable.

WPN	Data Refresh	Double Register	Data Refresh Operation	Double Register Check
Low	0 : Disable	0 : Disable	Disable	Disable (Keep working even logic abnormality happens)
Low	0 : Disable	1 : Enable	Disable	Enable (First shutdown once logic abnormality detects. After Fault to be low for 1msec, then re-start)
Low	1 : Enable	0 : Disable	Enable (Data Refresh at set period)	Disable (Keep working even logic abnormality happens)
Low	1 : Enable	1 : Enable	Enable (Data Refresh at set period)	Enable (Perform Data Refresh once logic abnormality detects)
High	-	-	Disable	Disable (Keep working even logic abnormality happens)

PCB Layout Guide

GND Wiring Pattern

The high current GND (PGND) should be wired thick. To reduce line impedance, the GND lines must be as short and thick as possible and uses few via. Therefore design at PCB board four layers or above is recommended. (Please use the middle layer as GND shielding and directly connect each GND.) In the case of two layers or less at PCB board designs, please enough confirm with the actual model about the heat and the noise with care to a GND wiring.



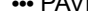
Switching-Line Wiring Pattern

The wiring from switching line (SW pin) of DC/DC converter to inductor and diode must be as short and thick as possible. If a wiring is long, ringing by switching increases, and the voltage over the resistance of this IC might be generated. Please note that switching line does not vary PCB layer. Switching line and wiring easily affected by noise such as feedback line must be placed separately. Switching noise spread may cause the lack of operation stability. In case the multi-layer PCB board, please note that a switching line and a line easily affected by noise or the external components are not adjacent between layers. Drawing GND shield line between switching line and these lines easily affected by noise is recommended if these lines are placed close.

Power Supply Voltage Line Wiring Pattern

For power supply voltage (VIN, VINB, VLISO, PAVDD, AVDD, VGH), place smooth capacitor nearby IC pin. Please note that smooth capacitor does not vary PCB layer.

The figure 105 shows an application circuit on the basis of the basic PCB layout pattern guideline mentioned above.

- ◆ Bold line: High current line
- ◆ Blue line(two dots and dashed line): Wiring easily affected by noise
- ◆ Red line (dashed line): Noise source line such as switching line.
- ◆  Place smooth capacitor nearby IC pin
- ◆  D_SW locates it near SW terminal / PAVDD terminal of BM81810MUV-M, and a current loop of SW terminal ••• SBD
- ◆  PAVDD, please become as short as possible.

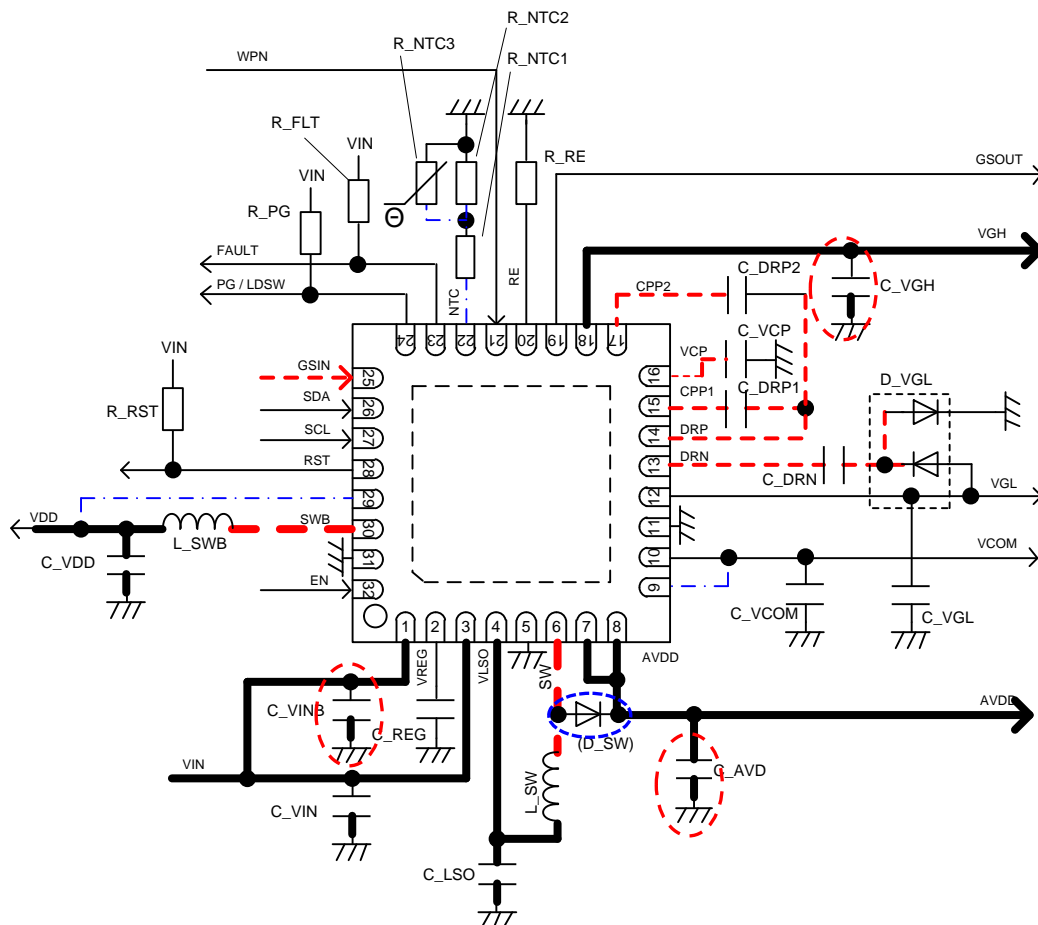


Figure 105. PCB Layout Indications

EMC Layout Guide

Introduce the plan that can design on the PCB as EMC measures.

Measures by the board pattern

- Wire AVDD line briefly thickly. (1)
- Wire the current loop of Boost DC/DC briefly thickly. (2)

Measures by the external component

- Insert a common mode filter or a beads coil in the AVDD line and form the EMC filter. (3)
- Place output capacitor and small capacitor (10pF - 1,000pF) in parallel. (4)
- Insert the snubber circuit in SW pin. (Assumed the efficiency becomes worse) (5)

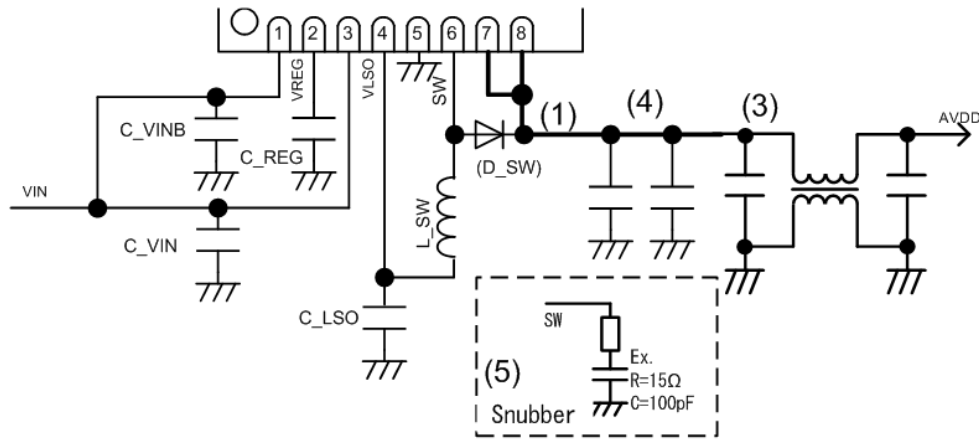


Figure 106. EMI Circuit 1

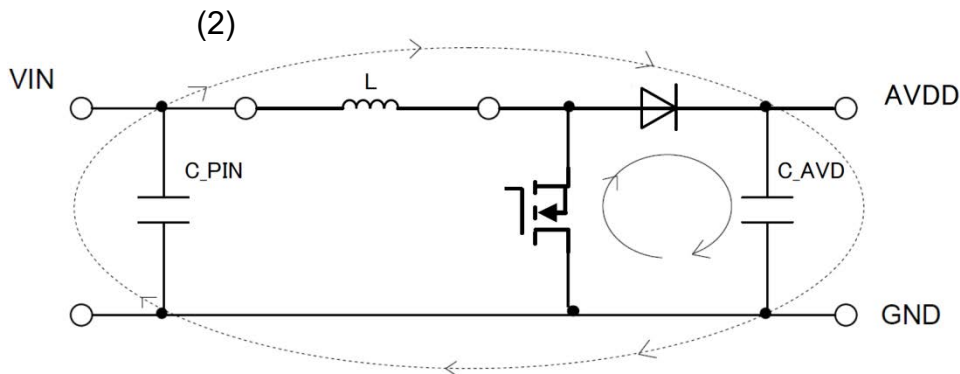
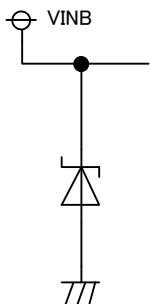
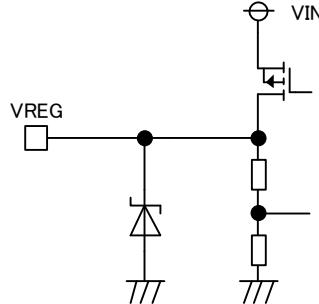
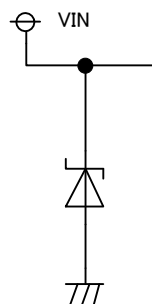
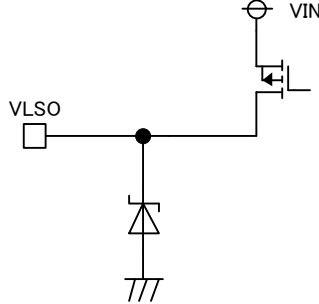
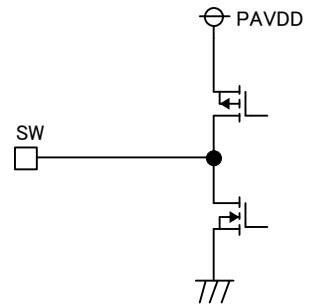
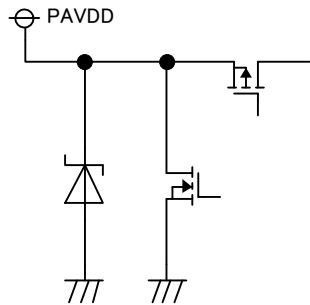
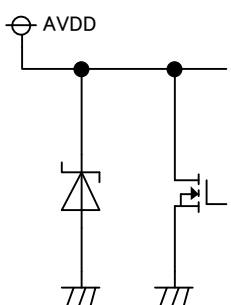
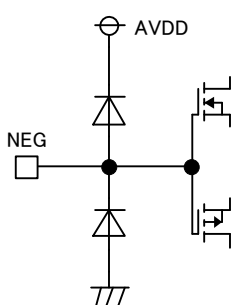
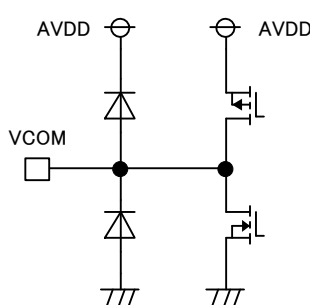
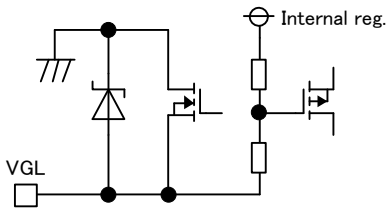
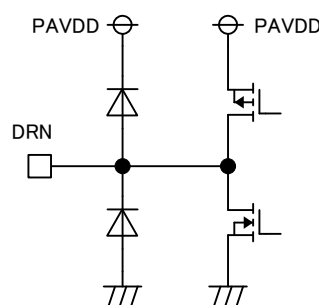
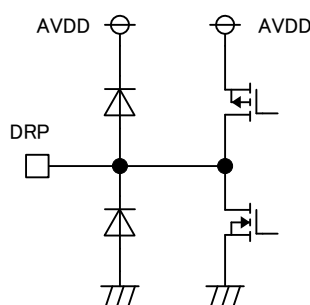


Figure 107. EMI Circuit 2

I/O Equivalence Circuit

<p>1. VINB</p> 	<p>2. VREG</p> 	<p>3. VIN</p> 
<p>4. VLISO</p> 	<p>6. SW</p> 	<p>7. PAVDD</p> 
<p>8. AVDD</p> 	<p>9. NEG</p> 	<p>10. VCOM</p> 
<p>12. VGL</p> 	<p>13. DRN</p> 	<p>14. DRP</p> 

I/O Equivalence Circuit - continued

<p>15. CPP1</p>	<p>16. VCP</p>	<p>17. CPP2</p>
<p>18. VGH</p>	<p>19. GSOUT</p>	<p>20. RE</p>
<p>21. WPN</p>	<p>22. NTC</p>	<p>23. FAULT</p>
<p>24. PG/LDSW</p>	<p>25. GSIN</p>	<p>26. SDA</p>

I/O Equivalence Circuit - continued

<p>27. SCL</p>	<p>28. RST</p>	<p>29. VDD</p>
<p>30. SWB</p>	<p>32. EN</p>	

Operation Notes

1. Reverse Connection of Power Supply

Connecting the power supply in reverse polarity can damage the IC. Take precautions against reverse polarity when connecting the power supply, such as mounting an external diode between the power supply and the IC's power supply terminals.

2. Power Supply Lines

Design the PCB layout pattern to provide low impedance supply lines. Separate the ground and supply lines of the digital and analog blocks to prevent noise in the ground and supply lines of the digital block from affecting the analog block. Furthermore, connect a capacitor to ground at all power supply pins. Consider the effect of temperature and aging on the capacitance value when using electrolytic capacitors.

3. Ground Voltage

Ensure that no pins are at a voltage below that of the ground pin at any time, even during transient condition.

4. Ground Wiring Pattern

When using both small-signal and large-current ground traces, the two ground traces should be routed separately but connected to a single ground at the reference point of the application board to avoid fluctuations in the small-signal ground caused by large currents. Also ensure that the ground traces of external components do not cause variations on the ground voltage. The ground lines must be as short and thick as possible to reduce line impedance.

5. Thermal Consideration

Should by any chance the power dissipation rating be exceeded the rise in temperature of the chip may result in deterioration of the properties of the chip. In case of exceeding this absolute maximum rating, increase the board size and copper area to prevent exceeding the Pd rating.

6. Recommended Operating Conditions

These conditions represent a range within which the expected characteristics of the IC can be approximately obtained. The electrical characteristics are guaranteed under the conditions of each parameter.

7. Inrush Current

When power is first supplied to the IC, it is possible that the internal logic may be unstable and inrush current may flow instantaneously due to the internal powering sequence and delays, especially if the IC has more than one power supply. Therefore, give special consideration to power coupling capacitance, power wiring, width of ground wiring, and routing of connections.

8. Operation Under Strong Electromagnetic Field

Operating the IC in the presence of a strong electromagnetic field may cause the IC to malfunction.

9. Testing on Application Boards

When testing the IC on an application board, connecting a capacitor directly to a low-impedance output pin may subject the IC to stress. Always discharge capacitors completely after each process or step. The IC's power supply should always be turned off completely before connecting or removing it from the test setup during the inspection process. To prevent damage from static discharge, ground the IC during assembly and use similar precautions during transport and storage.

10. Inter-pin Short and Mounting Errors

Ensure that the direction and position are correct when mounting the IC on the PCB. Incorrect mounting may result in damaging the IC. Avoid nearby pins being shorted to each other especially to ground, power supply and output pin. Inter-pin shorts could be due to many reasons such as metal particles, water droplets (in very humid environment) and unintentional solder bridge deposited in between pins during assembly to name a few.

11. Unused Input Pins

Input pins of an IC are often connected to the gate of a MOS transistor. The gate has extremely high impedance and extremely low capacitance. If left unconnected, the electric field from the outside can easily charge it. The small charge acquired in this way is enough to produce a significant effect on the conduction through the transistor and cause unexpected operation of the IC. So unless otherwise specified, unused input pins should be connected to the power supply or ground line.

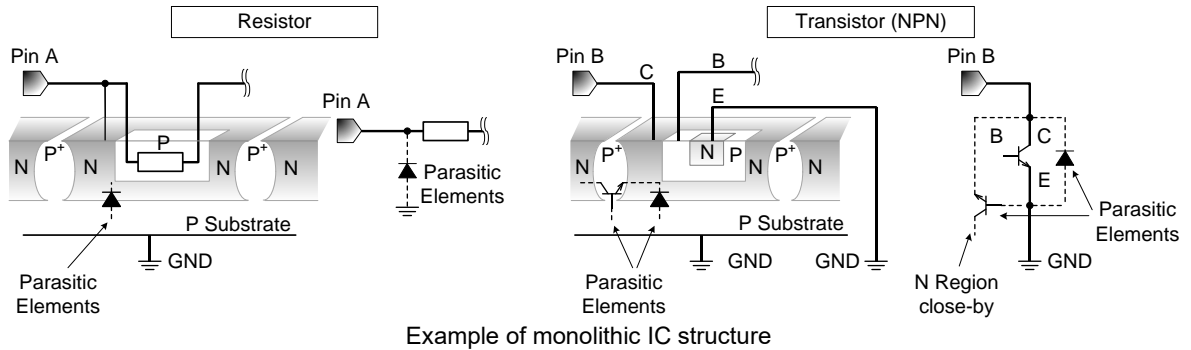
Operational Notes – continued

12. Regarding the Input Pin of the IC

This monolithic IC contains P+ isolation and P substrate layers between adjacent elements in order to keep them isolated. P-N junctions are formed at the intersection of the P layers with the N layers of other elements, creating a parasitic diode or transistor. For example (refer to figure below):

When $GND > Pin A$ and $GND > Pin B$, the P-N junction operates as a parasitic diode.
 When $GND > Pin B$, the P-N junction operates as a parasitic transistor.

Parasitic diodes inevitably occur in the structure of the IC. The operation of parasitic diodes can result in mutual interference among circuits, operational faults, or physical damage. Therefore, conditions that cause these diodes to operate, such as applying a voltage lower than the GND voltage to an input pin (and thus to the P substrate) should be avoided.



13. Ceramic Capacitor

When using a ceramic capacitor, determine the dielectric constant considering the change of capacitance with temperature and the decrease in nominal capacitance due to DC bias and others.

14. Area of Safe Operation (ASO)

Operate the IC such that the output voltage, output current, and power dissipation are all within the Area of Safe Operation (ASO).

15. Thermal Shutdown Circuit(TSD)

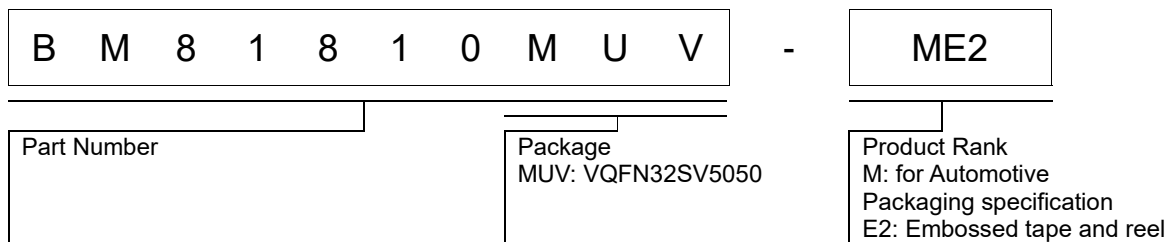
This IC has a built-in thermal shutdown circuit that prevents heat damage to the IC. Normal operation should always be within the IC's power dissipation rating. If however the rating is exceeded for a continued period, the junction temperature (T_j) will rise which will activate the TSD circuit that will turn OFF all output pins. When the T_j falls below the TSD threshold, the circuits are automatically restored to normal operation.

Note that the TSD circuit operates in a situation that exceeds the absolute maximum ratings and therefore, under no circumstances, should the TSD circuit be used in a set design or for any purpose other than protecting the IC from heat damage.

16. Over Current Protection Circuit (OCP)

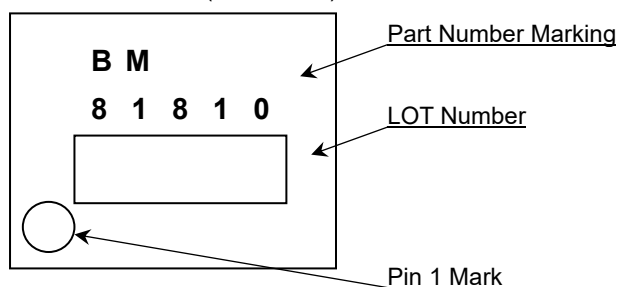
This IC incorporates an integrated overcurrent protection circuit that is activated when the load is shorted. This protection circuit is effective in preventing damage due to sudden and unexpected incidents. However, the IC should not be used in applications characterized by continuous operation or transitioning of the protection circuit.

Ordering Information



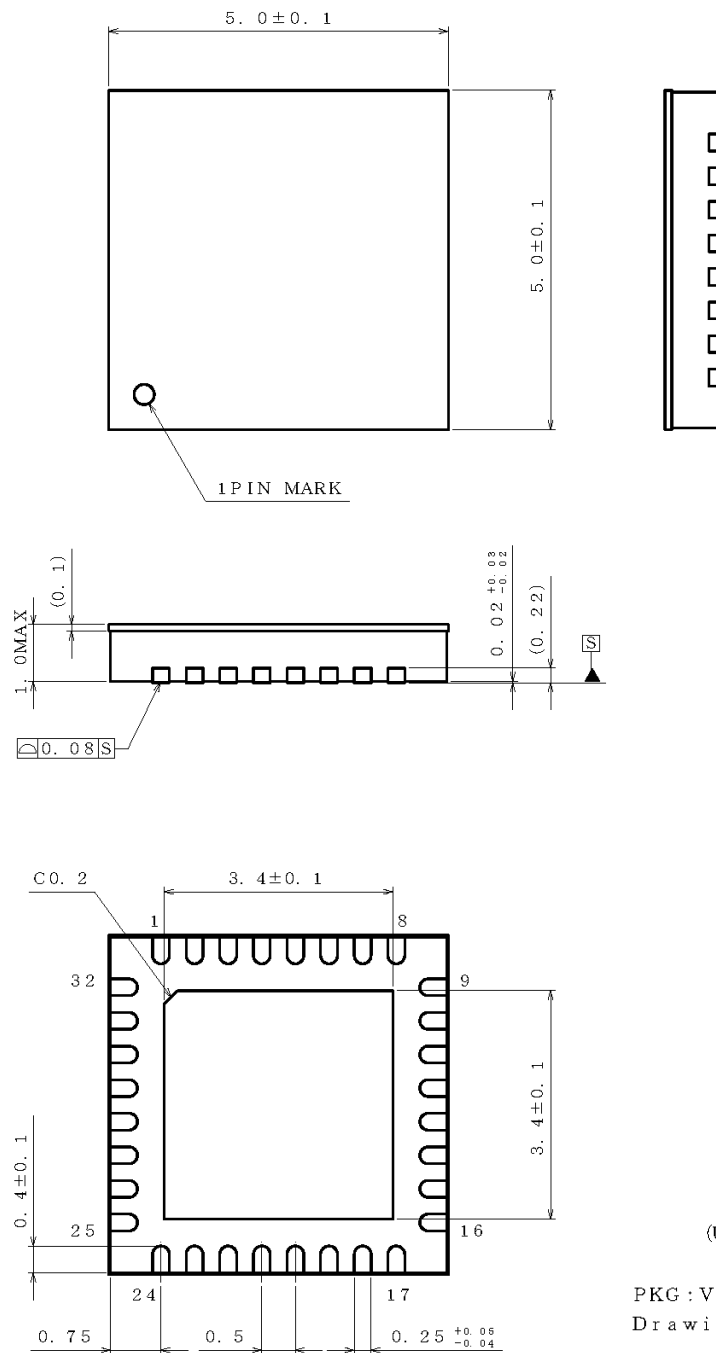
Marking Diagram

VQFN32SV5050(TOP VIEW)



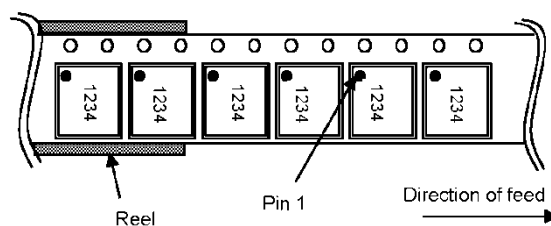
Physical Dimension, Tape and Reel Information

Package Name	VQFN32SV5050
--------------	--------------



< Tape and Reel Information >

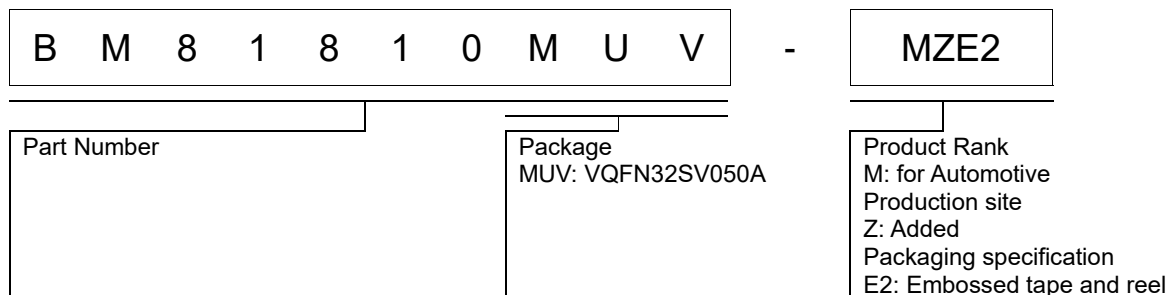
Tape	Embossed carrier tape
Quantity	2500pcs
Direction of feed	E2 The direction is the pin 1 of product is at the upper left when you hold reel on the left hand and you pull out the tape on the right hand



Revision History

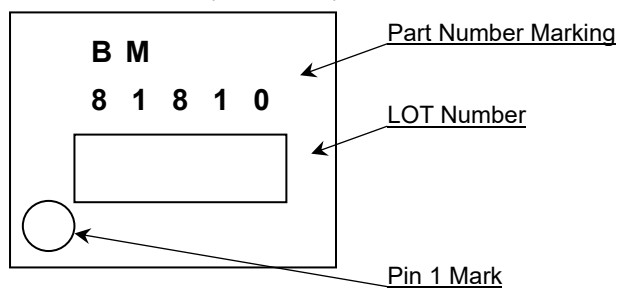
Date	Revision	Changes
25.July.2016	001	New Release
10.Jan.2019	002	AVDD Current Limit (1A setting) Limit Maximum 3.0A -> 2.5A (P.6)
		Remove WPN pin from input tolerant. (P.1)
		Describe the package name in detail. (P.1)
		Change absolute maximum ratings value of WPN pin. (P.4)
		Add C_GD to application circuit when using LDSW mode.(P.31, P32)
		Correct some minor typographical errors.
9.Dec.2020	003	Updated packages and part numbers. P.75-2, P.75-3

Ordering Information



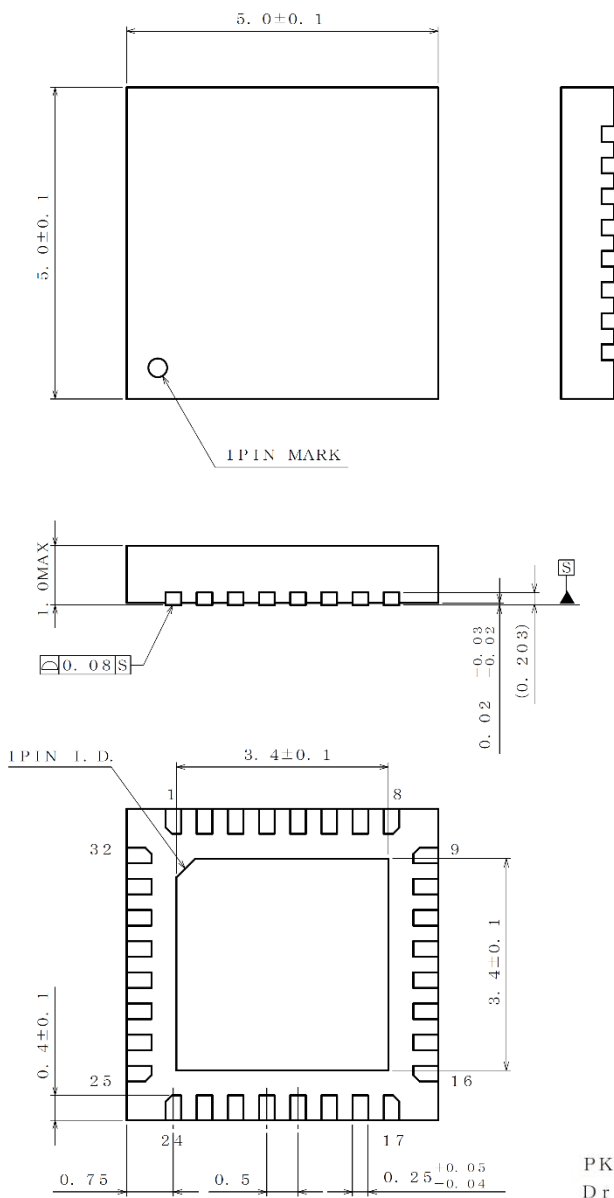
Marking Diagram

VQFN32SV050A(TOP VIEW)



Physical Dimension, Tape and Reel Information

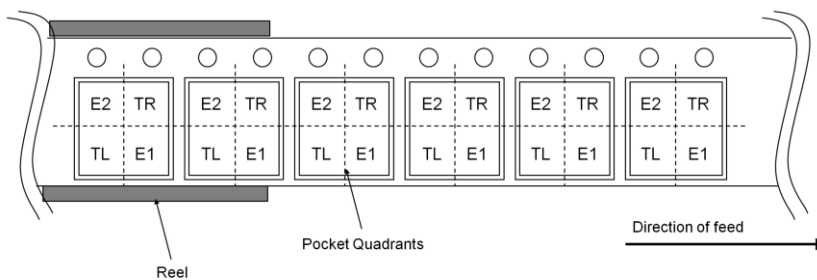
Package Name	VQFN32SV050A
--------------	--------------



PKG : VQFN32SV050A
Drawing No. EX001-0102

< Tape and Reel Information >

Tape	Embossed carrier tape
Quantity	2500pcs
Direction of feed	E2 The direction is the pin 1 of product is at the upper left when you hold reel on the left hand and you pull out the tape on the right hand



E2 : PIN1 is placed to the top left corner. TR : PIN1 is placed to the top right corner.
TL : PIN1 is placed to the lower left. E1 : PIN1 is placed to the lower right.

Notice

Precaution on using ROHM Products

1. If you intend to use our Products in devices requiring extremely high reliability (such as medical equipment ^(Note 1), aircraft/spacecraft, nuclear power controllers, etc.) and whose malfunction or failure may cause loss of human life, bodily injury or serious damage to property ("Specific Applications"), please consult with the ROHM sales representative in advance. Unless otherwise agreed in writing by ROHM in advance, ROHM shall not be in any way responsible or liable for any damages, expenses or losses incurred by you or third parties arising from the use of any ROHM's Products for Specific Applications.

(Note1) Medical Equipment Classification of the Specific Applications

JAPAN	USA	EU	CHINA
CLASS III	CLASS III	CLASS II b	CLASS III
CLASS IV		CLASS III	

2. ROHM designs and manufactures its Products subject to strict quality control system. However, semiconductor products can fail or malfunction at a certain rate. Please be sure to implement, at your own responsibilities, adequate safety measures including but not limited to fail-safe design against the physical injury, damage to any property, which a failure or malfunction of our Products may cause. The following are examples of safety measures:
 - [a] Installation of protection circuits or other protective devices to improve system safety
 - [b] Installation of redundant circuits to reduce the impact of single or multiple circuit failure
3. Our Products are not designed under any special or extraordinary environments or conditions, as exemplified below. Accordingly, ROHM shall not be in any way responsible or liable for any damages, expenses or losses arising from the use of any ROHM's Products under any special or extraordinary environments or conditions. If you intend to use our Products under any special or extraordinary environments or conditions (as exemplified below), your independent verification and confirmation of product performance, reliability, etc. prior to use, must be necessary:
 - [a] Use of our Products in any types of liquid, including water, oils, chemicals, and organic solvents
 - [b] Use of our Products outdoors or in places where the Products are exposed to direct sunlight or dust
 - [c] Use of our Products in places where the Products are exposed to sea wind or corrosive gases, including Cl₂, H₂S, NH₃, SO₂, and NO₂
 - [d] Use of our Products in places where the Products are exposed to static electricity or electromagnetic waves
 - [e] Use of our Products in proximity to heat-producing components, plastic cords, or other flammable items
 - [f] Sealing or coating our Products with resin or other coating materials
 - [g] Use of our Products without cleaning residue of flux (Exclude cases where no-clean type fluxes is used. However, recommend sufficiently about the residue.); or Washing our Products by using water or water-soluble cleaning agents for cleaning residue after soldering
 - [h] Use of the Products in places subject to dew condensation
4. The Products are not subject to radiation-proof design.
5. Please verify and confirm characteristics of the final or mounted products in using the Products.
6. In particular, if a transient load (a large amount of load applied in a short period of time, such as pulse, is applied, confirmation of performance characteristics after on-board mounting is strongly recommended. Avoid applying power exceeding normal rated power; exceeding the power rating under steady-state loading condition may negatively affect product performance and reliability.
7. De-rate Power Dissipation depending on ambient temperature. When used in sealed area, confirm that it is the use in the range that does not exceed the maximum junction temperature.
8. Confirm that operation temperature is within the specified range described in the product specification.
9. ROHM shall not be in any way responsible or liable for failure induced under deviant condition from what is defined in this document.

Precaution for Mounting / Circuit board design

1. When a highly active halogenous (chlorine, bromine, etc.) flux is used, the residue of flux may negatively affect product performance and reliability.
2. In principle, the reflow soldering method must be used on a surface-mount products, the flow soldering method must be used on a through hole mount products. If the flow soldering method is preferred on a surface-mount products, please consult with the ROHM representative in advance.

For details, please refer to ROHM Mounting specification

Precautions Regarding Application Examples and External Circuits

1. If change is made to the constant of an external circuit, please allow a sufficient margin considering variations of the characteristics of the Products and external components, including transient characteristics, as well as static characteristics.
2. You agree that application notes, reference designs, and associated data and information contained in this document are presented only as guidance for Products use. Therefore, in case you use such information, you are solely responsible for it and you must exercise your own independent verification and judgment in the use of such information contained in this document. ROHM shall not be in any way responsible or liable for any damages, expenses or losses incurred by you or third parties arising from the use of such information.

Precaution for Electrostatic

This Product is electrostatic sensitive product, which may be damaged due to electrostatic discharge. Please take proper caution in your manufacturing process and storage so that voltage exceeding the Products maximum rating will not be applied to Products. Please take special care under dry condition (e.g. Grounding of human body / equipment / solder iron, isolation from charged objects, setting of Ionizer, friction prevention and temperature / humidity control).

Precaution for Storage / Transportation

1. Product performance and soldered connections may deteriorate if the Products are stored in the places where:
 - [a] the Products are exposed to sea winds or corrosive gases, including Cl₂, H₂S, NH₃, SO₂, and NO₂
 - [b] the temperature or humidity exceeds those recommended by ROHM
 - [c] the Products are exposed to direct sunshine or condensation
 - [d] the Products are exposed to high Electrostatic
2. Even under ROHM recommended storage condition, solderability of products out of recommended storage time period may be degraded. It is strongly recommended to confirm solderability before using Products of which storage time is exceeding the recommended storage time period.
3. Store / transport cartons in the correct direction, which is indicated on a carton with a symbol. Otherwise bent leads may occur due to excessive stress applied when dropping of a carton.
4. Use Products within the specified time after opening a humidity barrier bag. Baking is required before using Products of which storage time is exceeding the recommended storage time period.

Precaution for Product Label

A two-dimensional barcode printed on ROHM Products label is for ROHM's internal use only.

Precaution for Disposition

When disposing Products please dispose them properly using an authorized industry waste company.

Precaution for Foreign Exchange and Foreign Trade act

Since concerned goods might be fallen under listed items of export control prescribed by Foreign exchange and Foreign trade act, please consult with ROHM in case of export.

Precaution Regarding Intellectual Property Rights

1. All information and data including but not limited to application example contained in this document is for reference only. ROHM does not warrant that foregoing information or data will not infringe any intellectual property rights or any other rights of any third party regarding such information or data.
2. ROHM shall not have any obligations where the claims, actions or demands arising from the combination of the Products with other articles such as components, circuits, systems or external equipment (including software).
3. No license, expressly or implied, is granted hereby under any intellectual property rights or other rights of ROHM or any third parties with respect to the Products or the information contained in this document. Provided, however, that ROHM will not assert its intellectual property rights or other rights against you or your customers to the extent necessary to manufacture or sell products containing the Products, subject to the terms and conditions herein.

Other Precaution

1. This document may not be reprinted or reproduced, in whole or in part, without prior written consent of ROHM.
2. The Products may not be disassembled, converted, modified, reproduced or otherwise changed without prior written consent of ROHM.
3. In no event shall you use in any way whatsoever the Products and the related technical information contained in the Products or this document for any military purposes, including but not limited to, the development of mass-destruction weapons.
4. The proper names of companies or products described in this document are trademarks or registered trademarks of ROHM, its affiliated companies or third parties.

General Precaution

1. Before you use our Products, you are requested to carefully read this document and fully understand its contents. ROHM shall not be in any way responsible or liable for failure, malfunction or accident arising from the use of any ROHM's Products against warning, caution or note contained in this document.
2. All information contained in this document is current as of the issuing date and subject to change without any prior notice. Before purchasing or using ROHM's Products, please confirm the latest information with a ROHM sales representative.
3. The information contained in this document is provided on an "as is" basis and ROHM does not warrant that all information contained in this document is accurate and/or error-free. ROHM shall not be in any way responsible or liable for any damages, expenses or losses incurred by you or third parties resulting from inaccuracy or errors of or concerning such information.