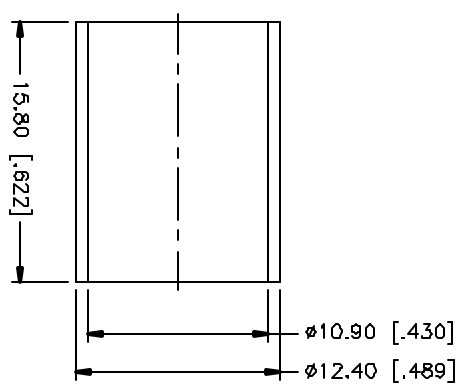
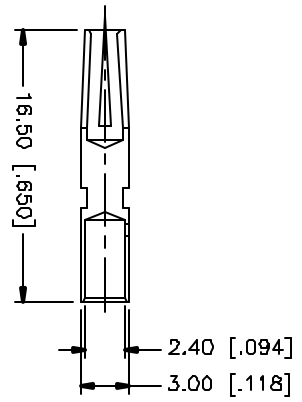
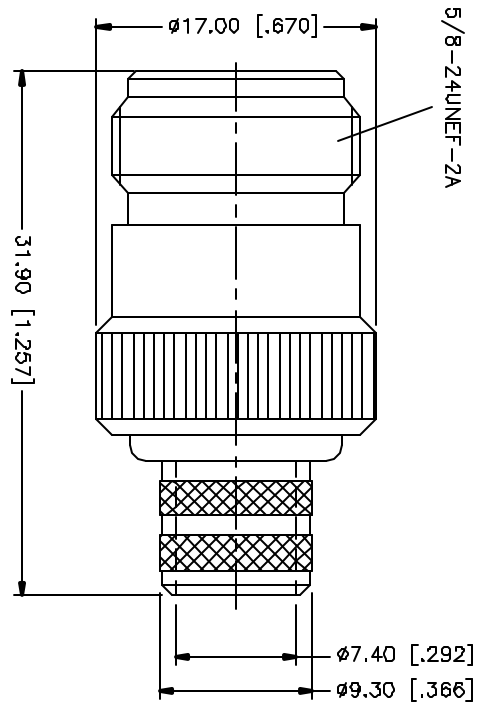
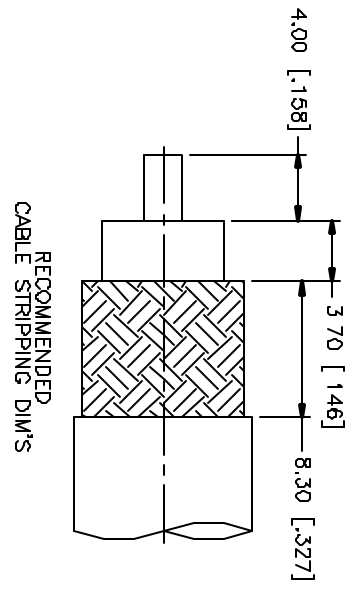


REV.	DATE	DESCRIPTION
A	09/07/04	UPDATE DRAWING FORMAT / MODIFY CONTACT PIN



- NOTE:
1. CRIMPED FERRULE  
HEX CRIMP SIZE .429"
  2. CRIMPED CONTACT PIN  
HEX CRIMP SIZE .100"

NO.	DESCRIPTION	MATERIAL	FINISH	QTY	UNLESS OTHERWISE SPECIFIED DIMENSIONS ARE IN INCHES AND DECIMALS THEREAFTER ARE IN MILLIMETERS FOR MILLIMETERS ARE UNLESS OTHERWISE SPECIFIED DIMENSIONS FOR MILLIMETERS ARE	APPROVALS	DATE	PART DESCRIPTION
8					UNLESS OTHERWISE SPECIFIED DIMENSIONS ARE IN INCHES AND DECIMALS THEREAFTER ARE IN MILLIMETERS FOR MILLIMETERS ARE UNLESS OTHERWISE SPECIFIED DIMENSIONS FOR MILLIMETERS ARE			<h1 style="text-align: center;">Amphenol Connex</h1> <p style="text-align: center;">N STRAIGHT CRIMP JACK (FOR RG-8/U CABLE)</p> <p style="text-align: center;">172105</p>
7					UNLESS OTHERWISE SPECIFIED DIMENSIONS ARE IN INCHES AND DECIMALS THEREAFTER ARE IN MILLIMETERS FOR MILLIMETERS ARE UNLESS OTHERWISE SPECIFIED DIMENSIONS FOR MILLIMETERS ARE			
6					UNLESS OTHERWISE SPECIFIED DIMENSIONS ARE IN INCHES AND DECIMALS THEREAFTER ARE IN MILLIMETERS FOR MILLIMETERS ARE UNLESS OTHERWISE SPECIFIED DIMENSIONS FOR MILLIMETERS ARE			
5					UNLESS OTHERWISE SPECIFIED DIMENSIONS ARE IN INCHES AND DECIMALS THEREAFTER ARE IN MILLIMETERS FOR MILLIMETERS ARE UNLESS OTHERWISE SPECIFIED DIMENSIONS FOR MILLIMETERS ARE			
4	FERRULE	BRASS	NICKEL	1	UNLESS OTHERWISE SPECIFIED DIMENSIONS ARE IN INCHES AND DECIMALS THEREAFTER ARE IN MILLIMETERS FOR MILLIMETERS ARE UNLESS OTHERWISE SPECIFIED DIMENSIONS FOR MILLIMETERS ARE			
3	CONTACT PIN	PHOS BRONZE	GOLD	1	UNLESS OTHERWISE SPECIFIED DIMENSIONS ARE IN INCHES AND DECIMALS THEREAFTER ARE IN MILLIMETERS FOR MILLIMETERS ARE UNLESS OTHERWISE SPECIFIED DIMENSIONS FOR MILLIMETERS ARE			
2	INSULATOR	TEFLON	NATURAL	1	UNLESS OTHERWISE SPECIFIED DIMENSIONS ARE IN INCHES AND DECIMALS THEREAFTER ARE IN MILLIMETERS FOR MILLIMETERS ARE UNLESS OTHERWISE SPECIFIED DIMENSIONS FOR MILLIMETERS ARE			
1	BODY	BRASS	NICKEL	1	UNLESS OTHERWISE SPECIFIED DIMENSIONS ARE IN INCHES AND DECIMALS THEREAFTER ARE IN MILLIMETERS FOR MILLIMETERS ARE UNLESS OTHERWISE SPECIFIED DIMENSIONS FOR MILLIMETERS ARE			
	DESCRIPTION	MATERIAL	FINISH	QTY	UNLESS OTHERWISE SPECIFIED DIMENSIONS ARE IN INCHES AND DECIMALS THEREAFTER ARE IN MILLIMETERS FOR MILLIMETERS ARE UNLESS OTHERWISE SPECIFIED DIMENSIONS FOR MILLIMETERS ARE			

APPROVALS	DATE
DRAWN G.R.S.	09/07/04
CHECKED	
ISSUED	
SHEET 1 OF 1	

CAD FILE	C:/172/172105.DWG
DWG. NO.	172105.DWG
REV	A
SIZE	A
SCALE	NA