



RoHS
Ready 

AMP Circular Connectors for Commercial Signal & Power Applications

 **Tyco Electronics**
Our commitment. Your advantage.

One-Piece Sealed Circular Plastic Connectors, Series 5

**CPC Connectors, Series 5
Sealed – Reverse Sex**



Listed part numbers are for connectors only; **contacts must be ordered separately.**

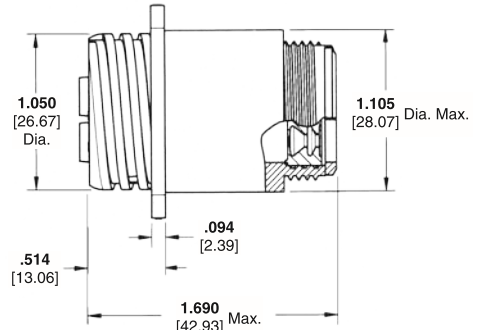
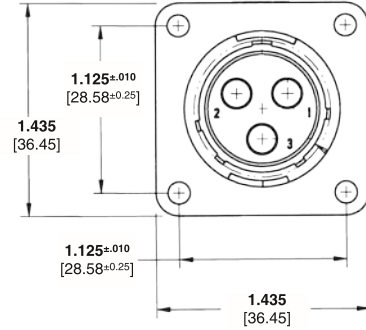
Material

Housing—Nylon, glass-filled UL rated 94V-0, black

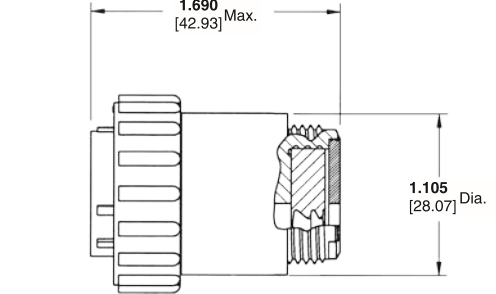
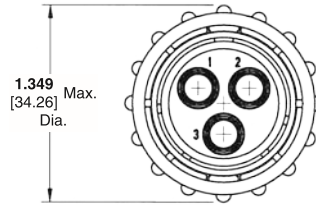
Related Product Data

- Contacts**—Page 47
- Accessories**—Page 51
- Application Tooling**—Pages 76-79
- Technical Documents**—Page 80

Square Flange Receptacle (Uses Flange Seal Part No. 81665-2 on page 51)



Plug



Arrangement		Insulation Diameter	Square Flange Receptacle	Free-Hanging Receptacle	Plug
Shell Size	No. of Positions				
17-3		.095-.205 [2.41-5.21]	788189-1	796112-1	788188-1
		.150-.265 [3.81-6.73]	788189-2	796112-2	788188-2

**CPC Connectors, Series 6
Sealed**



Listed part numbers are for connectors only; **contacts must be ordered separately.**

Material

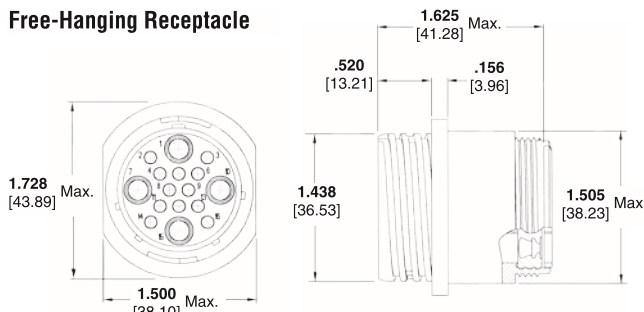
Housing—Nylon, glass-filled UL rated 94V-0, black

Related Product Data

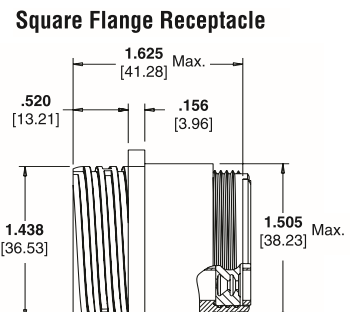
- Contacts**—Pages 17-23 and 47
- Application Tooling**—Pages 76-79
- Technical Documents**—Page 80

One-Piece Sealed Circular Plastic Connectors, Series 6

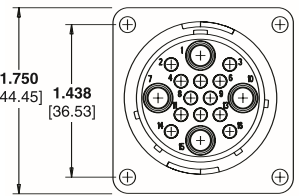
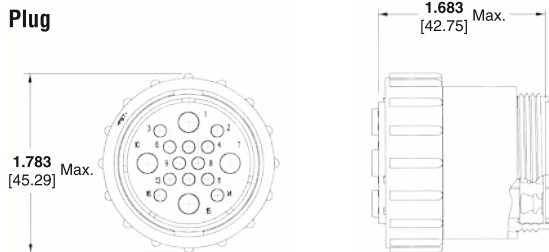
Free-Hanging Receptacle



Square Flange Receptacle



Plug



Arrangement		Insulation Diameter		Sex	Square Flange Receptacle w/Mounting Holes	Free-Hanging Receptacle	Plug
Shell Size	No. of Positions	Power	Signal				
23-16		.095-.205 [2.41-5.21]	.065-.100 [1.65-2.54]	Standard	796466-1	796207-1	796203-1
				Reverse	—	796330-1	796332-1