

3M™ Round, Jacketed, Flat Cable

.050" 28 AWG Stranded, Mass-Term, PVC/PVC

3759 Series

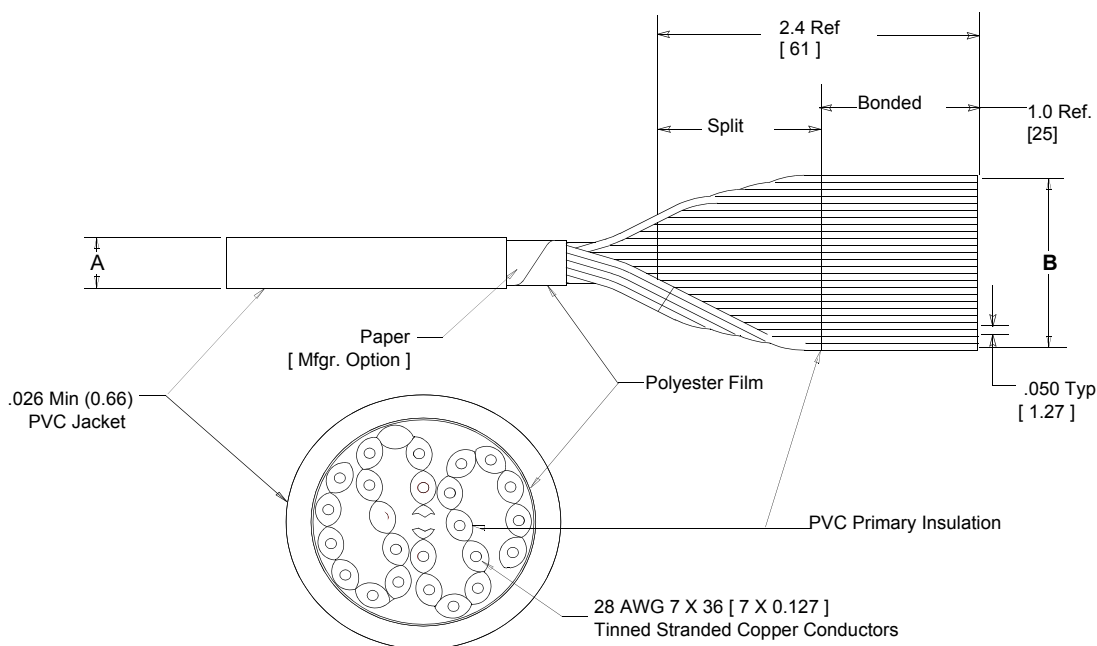


Inch
[mm]

Tolerance Unless Noted			
Inch	.0	.00	.000
	±.1	±.05	±.010

[] Dimensions for Reference only

Number of Conductors	3M Part Number	Dimension A ± .03	Dimension B (See Note 2)
09	3759/09	0.26 [6.6]	0.40 [10.2]
10	3759/10	0.26 [6.6]	0.45 [11.4]
14	3759/14	0.27 [6.9]	0.65 [16.5]
15	3759/15	0.27 [6.9]	0.70 [17.8]
16	3759/16	0.27 [6.9]	0.75 [19.1]
20	3759/20	0.30 [7.6]	0.95 [24.1]
24	3759/24	0.33 [8.4]	1.15 [29.2]
25	3759/25	0.33 [8.4]	1.20 [30.5]
26	3759/26	0.33 [8.4]	1.25 [31.8]
30	3759/30	0.37 [9.4]	1.45 [36.8]
34	3759/34	0.37 [9.4]	1.65 [41.9]
36	3759/36	0.39 [9.9]	1.75 [44.5]
37	3759/37	0.39 [9.9]	1.80 [45.7]
40	3759/40	0.39 [9.9]	1.95 [49.5]
50	3759/50	0.44 [11.2]	2.45 [62.2]
60	3759/60	0.47 [11.9]	2.95 [74.9]
64	3759/64	0.50 [12.7]	3.15 [80.0]



Notes:

1. Red marking on one edge of primary cable designates wire #1.
2. Dimension B pertains to bonded area only.

Ordering Information

3759/XYAB

Number of Conductors
(See Table)

blank = continuous split / bonded wire
SO = continuously bonded wire (no split)

Notes:

1. Available in standard length of 100' & 300" rolls for the split bonded cable. Please specify the length of roll when ordering.
2. Available in standard length of 300" rolls for the bonded, no split, cable. Please specify the length of roll when ordering.

TS-0070-21
Sheet 2 of 2

Important Notice

All statements, technical information, and recommendations related to 3M's products are based on information believed to be reliable, but the accuracy or completeness is not guaranteed. Before using this product, you must evaluate it and determine if it is suitable for your intended application. You assume all risks and liability associated with such use. Any statements related to the product which are not contained in 3M's current publications, or any contrary statements contained on your purchase order shall have no force or effect unless expressly agreed upon, in writing, by an authorized officer of 3M.



3M Electronics

6801 River Place Blvd.
Austin, TX 78726-9000
800/225-5373
www.3M.com/electronics

Warranty; Limited Remedy; Limited Liability.

This product will be free from defects in material and manufacture for a period of one (1) year from the time of purchase. **3M MAKES NO OTHER WARRANTIES INCLUDING, BUT NOT LIMITED TO, ANY IMPLIED WARRANTY OF MERCHANTABILITY OR FITNESS FOR A PARTICULAR PURPOSE.** If this product is defective within the warranty period stated above, your exclusive remedy shall be, at 3M's option, to replace or repair the 3M product or refund the purchase price of the 3M product. **Except where prohibited by law, 3M will not be liable for any indirect, special, incidental or consequential loss or damage arising from this 3M product, regardless of the legal theory asserted.**



Minimum 10%
Post-Consumer Fiber

Printed in USA.

© 3M 2006