

3EGG8C-1 ✓ ACTIVE

Corcom | Corcom GG

TE Internal #: 1-6609115-9

Corcom GG, Multi-Function Inlet Filters, Power Entry Module,
None Input, None, Complete Can, Vertical, Leakage Current (Max)
(120VAC, 60Hz) 250 μ A

[View on TE.com >](#)



EMI Filters > Multi-Function Inlet Filters > CORCOM GG SERIES MULTI-FUNCTION INLET FI



Filter Type: **Power Entry Module**

Input Voltage Selection: **None**

Filter Switch Type: **None**

Filter Shield Type: **Complete Can**

Mount Angle: **Vertical**

[All CORCOM GG SERIES MULTI-FUNCTION INLET FI \(36\)](#)

Features

Product Type Features

Ground Choke Option	Yes
Ground Option	None
Filter Type	Power Entry Module
Filter Switch Type	None
Filter Input Termination Type	IEC
Filter Output Termination Type	Wire Lead
Filtering Requirements	Filtered
Filter Connector Type	IEC 320/C-14

Configuration Features

Fuse Options	Single
--------------	--------

Electrical Characteristics

Input Voltage Selection	None
Leakage Current (Max) (120VAC, 60Hz)	250 μ A
Leakage Current (Max) (250VAC, 50Hz)	420 μ A
Filter Current Rating	3 A
Voltage Rating (Max)	250 VAC

Body Features

Filter Shield Type	Complete Can
--------------------	--------------

Mechanical Attachment

Mount Angle	Vertical
Filter Mount Style	Flanged

Usage Conditions

Operating Temperature Range	-10 – 40 °C
-----------------------------	-------------

Other

Comment	CAUTION: Do not attempt to operate a single-fused model without the fuse door in place!
---------	---

Product Compliance

[For compliance documentation, visit the product page on TE.com>](#)

EU RoHS Directive 2011/65/EU	Compliant
EU ELV Directive 2000/53/EC	Compliant
China RoHS 2 Directive MIIT Order No 32, 2016	No Restricted Materials Above Threshold
EU REACH Regulation (EC) No. 1907/2006	Current ECHA Candidate List: JAN 2021 (211) Candidate List Declared Against: JAN 2021 (211) Does not contain REACH SVHC
Halogen Content	Low Halogen - Br, Cl, F, I < 900 ppm per homogenous material. Also BFR/CFR/PVC Free
Solder Process Capability	Not applicable for solder process capability

Product Compliance Disclaimer

This information is provided based on reasonable inquiry of our suppliers and represents our current actual knowledge based on the information they provided. This information is subject to change. The part numbers that TE has identified as EU RoHS compliant have a maximum concentration of 0.1% by weight in homogenous materials for lead, hexavalent chromium, mercury, PBB, PBDE, DBP, BBP, DEHP, DIBP, and 0.01% for cadmium, or qualify for an exemption to these limits as defined in the Annexes of Directive 2011/65/EU (RoHS2). Finished electrical and electronic equipment products will be CE marked as required by Directive 2011/65/EU. Components may not be CE marked. Additionally, the part numbers that TE has identified as EU ELV compliant have a maximum concentration of 0.1% by weight in homogenous materials for lead, hexavalent chromium, and mercury, and 0.01% for cadmium, or qualify for an exemption to these limits as defined in the Annexes of Directive 2000/53/EC (ELV). Regarding the REACH Regulation, the information TE provides on SVHC in articles for this part number is based on the latest European Chemicals Agency (ECHA) 'Guidance on requirements for substances in articles' posted at this URL: <https://echa.europa.eu/guidance-documents/guidance-on-reach>

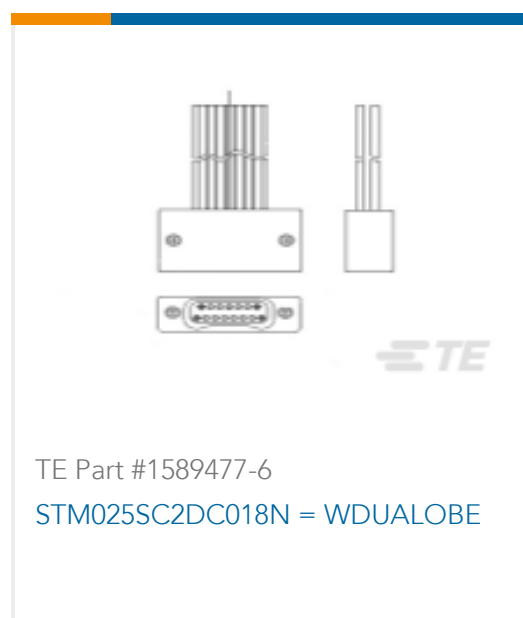
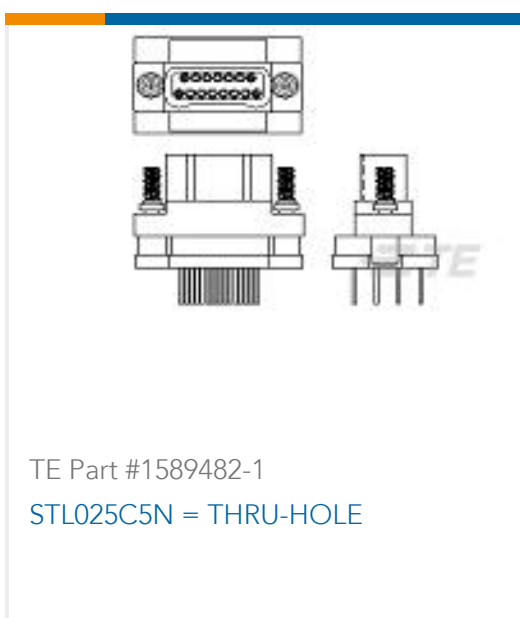
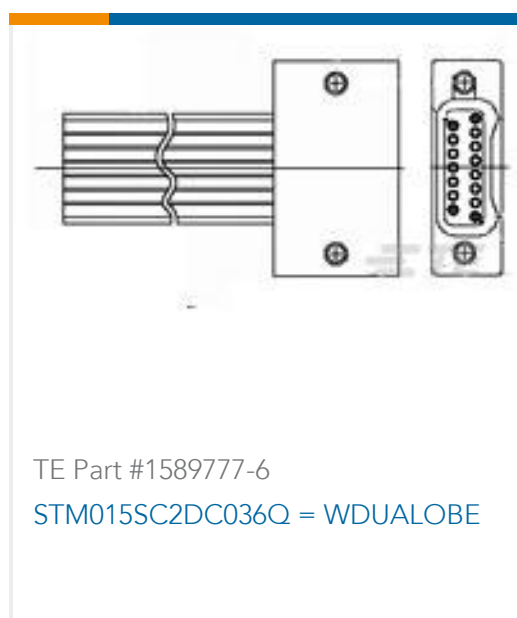
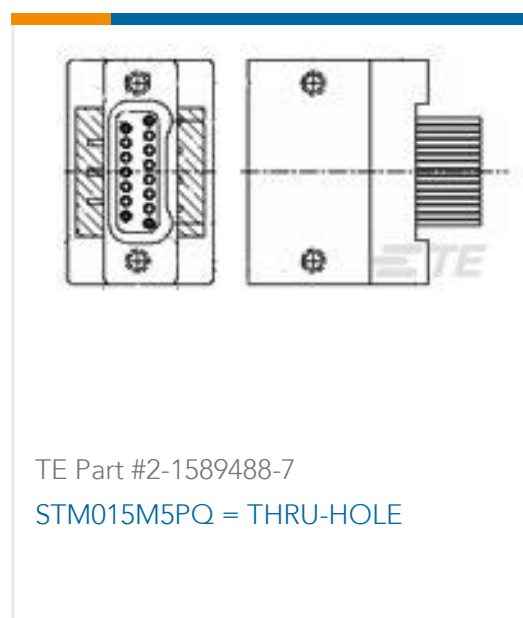
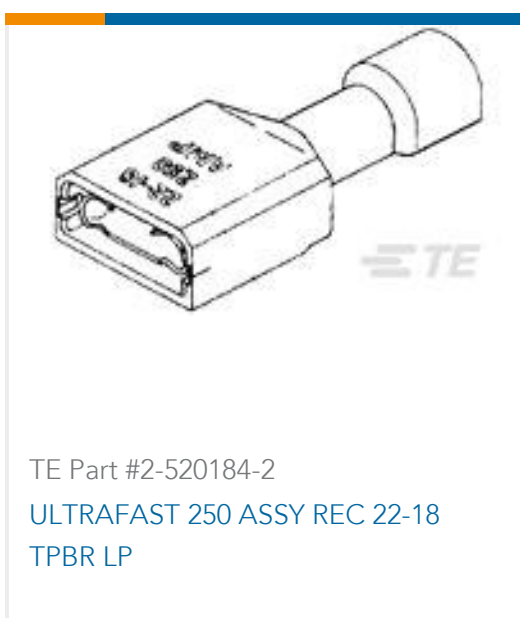
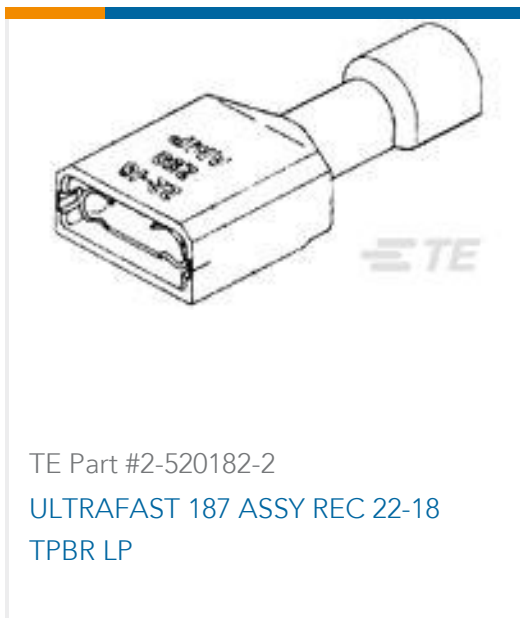
Compatible Parts



Also in the Series | Corcom GG



Customers Also Bought





Documents

Product Drawings

[3EGG8C-1 S0=F7383B](#)

English

CAD Files

[3D PDF](#)

3D

Customer View Model

[ENG_CVM_1-6609115-9_A.3d_igs.zip](#)

English

Customer View Model

[ENG_CVM_1-6609115-9_A.3d_stp.zip](#)

English

Customer View Model

[ENG_CVM_1-6609115-9_A.2d_dxf.zip](#)

English

By downloading the CAD file I accept and agree to the [Terms and Conditions](#) of use.

Datasheets & Catalog Pages

[1654001_CORCOM_PRODUCT_GUIDE](#)

English

[1654001_CORCOM_PRODUCT_GUIDE_GG_HG](#)

English

[1-1654250-1_CORCOM_EMI_RFI_QRG](#)

English

[Corcom Combined Selector Charts](#)

English