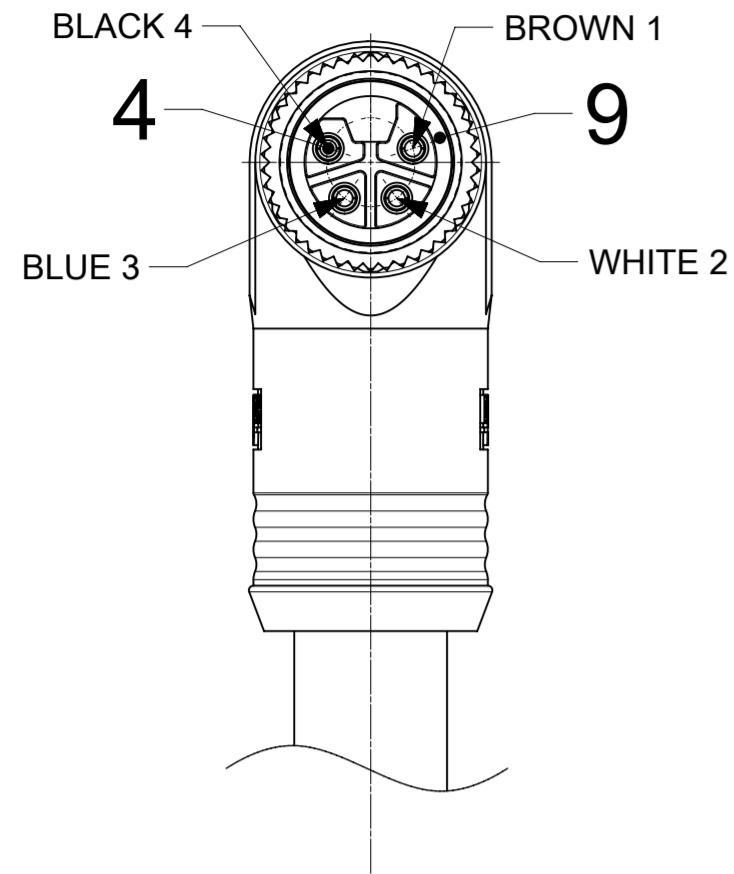
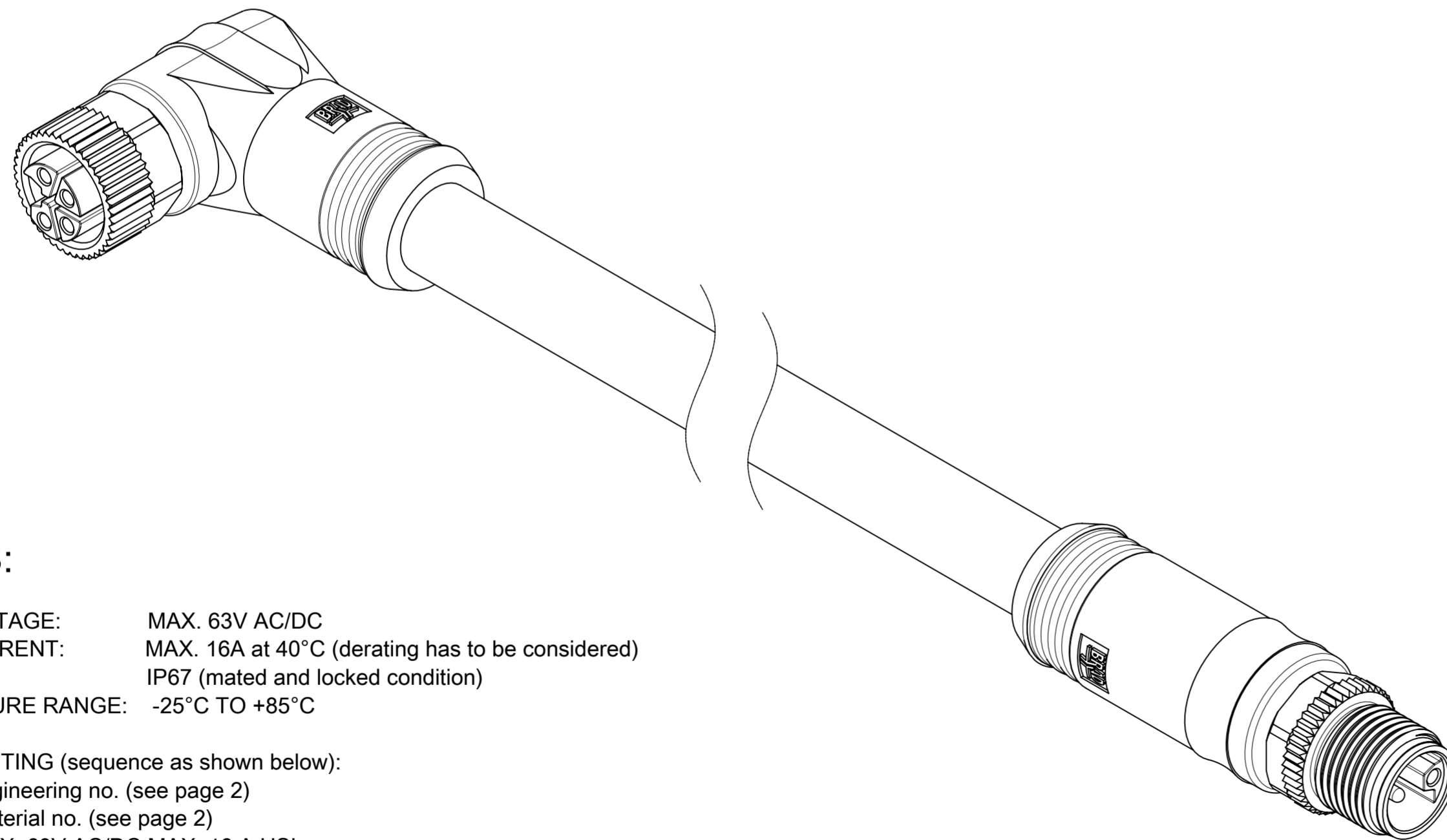
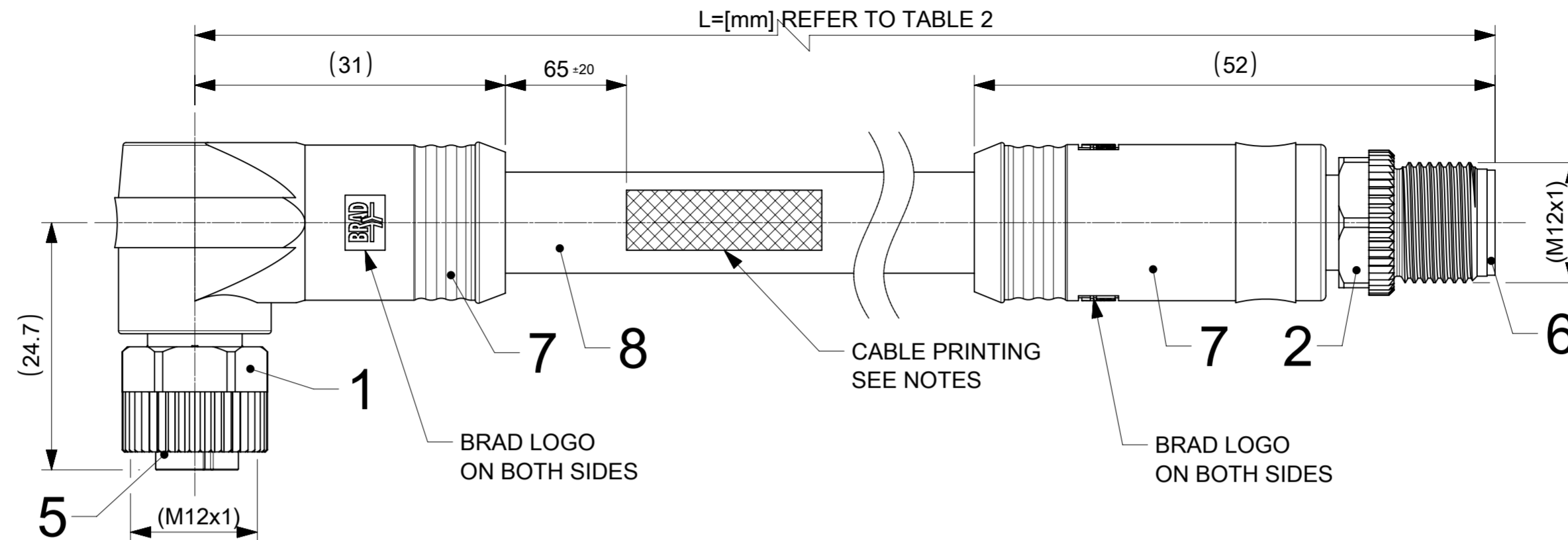
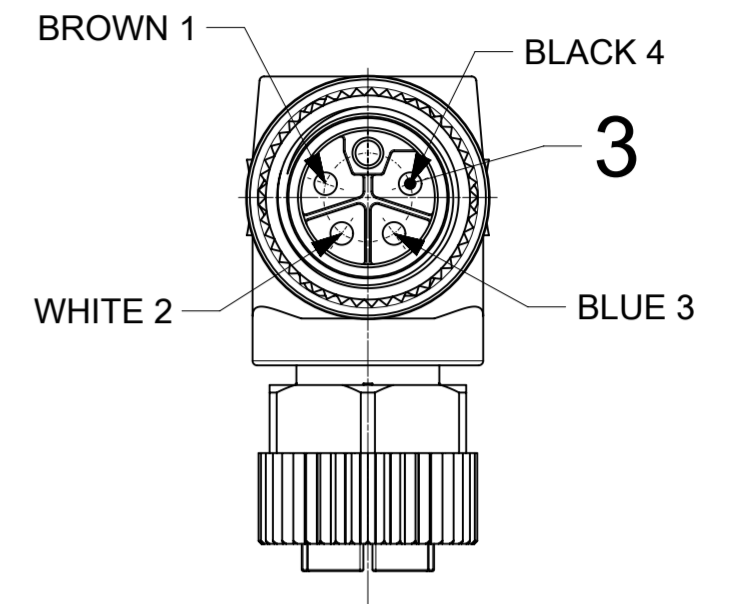


MATING SIDE
FEMALE CONNECTOR



MATING SIDE
MALE CONNECTOR



NOTES:

RATED VOLTAGE: MAX. 63V AC/DC
 RATED CURRENT: MAX. 16A at 40°C (derating has to be considered)
 IP RATING: IP67 (mated and locked condition)
 TEMPERATURE RANGE: -25°C TO +85°C

CABLE PRINTING (sequence as shown below):
 - MOLEX engineering no. (see page 2)
 - MOLEX material no. (see page 2)
 - MOLEX MAX. 63V AC/DC MAX. 16 A USL
 - MOLEX AND DATE OF MANUFACTURING (YY=YEAR; WW=WEEK): MXYWW
 - Not for current interrupting
 PROFINET 24V Power 4x2,5

PART ACCORDING PRODUCT SPEC: 1205010169
 PACKAGING ACCORDING PACKAGING SPEC: 1201202000

TABLE 1

POS	DESCRIPTION	MATERIAL	FINISH
1	NUT M12 FE	BRASS	Ni
2	NUT M12 MA	BRASS	Ni
3	CONTACT 15 MA	BRASS	Au
4	CONTACT 15 FE	BRASS	Au
5	INSERT FEMALE	PA	BLACK
6	INSERT MALE	PA	BLACK
7	OVERMOLD	TPE	BLACK
8	CABLE 4x2.5 D10.1 WSOR	PUR	BLACK
9	GASKET OR 8.2X1.25	FKM	BLACK
OPTIONAL 10	ID CARRIER	-	-

THIS DRAWING CONTAINS INFORMATION THAT IS PROPRIETARY TO MOLEX ELECTRONIC TECHNOLOGIES, LLC AND SHOULD NOT BE USED WITHOUT WRITTEN PERMISSION										
FUNCTIONAL SYMBOLS	FA = 0	DIMENSION UNITS	mm	SCALE	2:1	CURRENT REV DESC: UPDATED ATTRIBUTE TO GENERAL MARKET IN ECTR				
	FC = 0		GENERAL TOLERANCES (UNLESS SPECIFIED)							
DIVISIONAL SYMBOLS	FP = 0	ANGULAR TOL	± 1.0°	EC NO: 735577						
	4 PLACES	±	DRWN: NIKHIS3	2023/01/12						
	3 PLACES	±	CHK'D: RSILLER	2023/01/19	CSE M12 4P LC FE RA MA STR WSOR BK XM					
	2 PLACES	± 0.05	APPR: RSILLER	2023/01/19						
INITIAL REVISION:		DRWN: FDAFERNER		2020/05/11	PRODUCT CUSTOMER DRAWING					
APPR: RSILLER		2021/10/05		2021/10/05						
DRAFT WHERE APPLICABLE MUST REMAIN WITHIN DIMENSIONS		THIRD ANGLE PROJECTION	DRAWING	SERIES	DOCUMENT NUMBER	DOC TYPE	DOC PART	REVISION	A2	
			A2-SIZE	120501	1205010140	PSD	000		1 OF 2	
					SEE TABLE 2	GENERAL MARKET				

DOCUMENT STATUS	P1	RELEASE DATE	2023/01/19	11:13:45
-----------------	----	--------------	------------	----------

ENGINEERING NO - NUMERICAL CODE (Available parts see PART LIST table. Other parts available upon request).

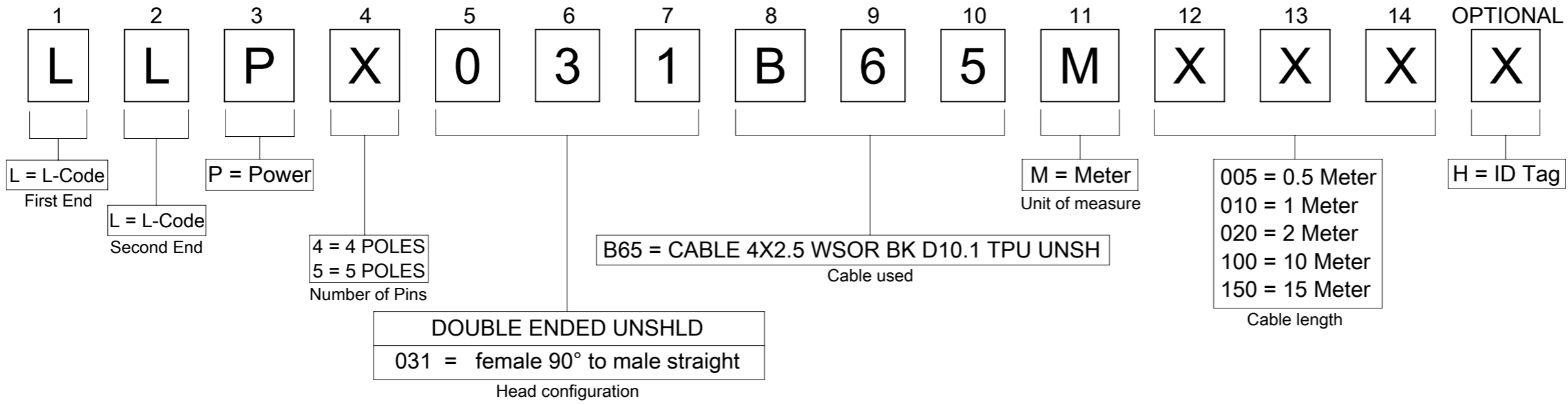


TABLE 2

NOMINAL SECTION 2,5mm ²			
MATERIAL NO.	ENGINEERING NO.	L [mm]	TOLERANCE [mm]
1205010140	LLP4031B65M005	500	+40
1205010141	LLP4031B65M010	1000	+40
1205010142	LLP4031B65M020	2000	+60
1205010143	LLP4031B65M030	3000	+60
1205010144	LLP4031B65M050	5000	+60
1205010145	LLP4031B65M100	10000	+80
1205010146	LLP4031B65M150	15000	+140
1205010147	LLP4031B65M200	20000	+140

FUNCTIONAL SYMBOLS FA = 0 FB = 0 FC = 0	THIS DRAWING CONTAINS INFORMATION THAT IS PROPRIETARY TO MOLEX ELECTRONIC TECHNOLOGIES, LLC AND SHOULD NOT BE USED WITHOUT WRITTEN PERMISSION		 CSE M12 4P LC FE RA MA STR WSOR BK XM
	DIMENSION UNITS mm	SCALE 1:1	
DIVISIONAL SYMBOLS	GENERAL TOLERANCES (UNLESS SPECIFIED) ANGULAR TOL ± 1.0°	EC NO: 735577	PRODUCT CUSTOMER DRAWING
4 PLACES ±	3 PLACES ±	DRWN: NIKHIS3 2023/01/12	
2 PLACES ± 0.05	1 PLACE ± 0.3	CHK'D: RSILLER 2023/01/19	DOCUMENT NUMBER 1205010140
0 PLACES ± 0.5	DRAFT WHERE APPLICABLE MUST REMAIN WITHIN DIMENSIONS	APPR: RSILLER 2023/01/19	
THIRD ANGLE PROJECTION	DRAWING A3-SIZE	SERIES 120501	DOC TYPE PSD
MATERIAL NUMBER SEE TABLE 2	CUSTOMER GENERAL MARKET	SHEET NUMBER 2 OF 2	REVISION A2