

Electronic circuit breaker - EC-E1 4A



0903026

<https://www.phoenixcontact.com/gb/products/0903026>

Please be informed that the data shown in this PDF document is generated from our Online Catalog. Please find the complete data in the user documentation. Our General Terms of Use for Downloads are valid.

Electronic circuit breaker, signal contact: 1 N/O contact, nominal current: 4 A



Your advantages

- Error-free short-circuit detection even across long cable paths with the electronics characteristic curve
- Active current limitation to improve the capacity of the upstream power supply
- Increased system transparency with integrated floating remote indication contact (N/O)

Commercial Data

Item number	0903026
Packing unit	6 pc
Minimum order quantity	1 pc
Sales Key	CLA131
Product Key	CLA131
Catalog Page	Page 386 (C-4-2019)
GTIN	4046356328029
Weight per Piece (including packing)	69.017 g
Weight per Piece (excluding packing)	69.017 g
Customs tariff number	85362010
Country of origin	DE

Electronic circuit breaker - EC-E1 4A



0903026

<https://www.phoenixcontact.com/gb/products/0903026>

Technical Data

Notes

General	<p>When mounted in rows without convection cooling, the nominal device current should only be led to a maximum of 80% due to the thermal effect during continuous operation (100% operating factor).</p> <p>Special precautionary measures must be taken in systems or machines, to prevent components from restarting (e.g., use of a safety PLC).</p> <p>Parallel connection of multiple circuit breakers is not permitted.</p>
---------	---

Product properties

Type	DIN rail module, one-piece
Product type	Device circuit breakers
Number of positions	1
No. of channels	1

Insulation characteristics

Degree of pollution	2
---------------------	---

Electrical properties

No. of channels	1
Fuse type	Automatic device
Maximum power dissipation for nominal condition	$\leq 0.4 \text{ VA}$
Switching capacity I_{CN}	Active current limitation
Fuse	electronic

General

Operating voltage	24 V DC
Operating voltage	18 V DC ... 32 V DC
Nominal current I_N	4 A
Rated surge voltage	0.5 kV
Tripping method	E (electronic)
Required backup fuse	not required, integrated failsafe element
Dielectric strength	max. 32 V DC (Load circuit)
Switch off	Typ. $1.8 \times I_N$
Active current limitation	active
Fuse	electronic
Closed-circuit current range I_0	typ. 25 mA \pm 5 mA (When switched on)
Voltage drop	100 mV (at I_N)
Max. capacitive load	20000 μF
Type of contact	floating signal contact
Minimum operating voltage U_{\min} DC	10 V DC
Maximum operating voltage U_{\max} DC	30 V DC
Minimum operating current I_{\min}	10 mA

Electronic circuit breaker - EC-E1 4A



0903026

<https://www.phoenixcontact.com/gb/products/0903026>

Max. operating current I_{max}	0.5 A
----------------------------------	-------

Connection data

Nominal cross section	16.00 mm ²
-----------------------	-----------------------

Line+ / LOAD+ /0V

Screw thread	M4
Tightening torque	... 1.2 Nm
Stripping length	10 mm
Conductor cross section solid	0.5 mm ² ... 16 mm ²
Cross section AWG	20 ... 6
Conductor cross section flexible	0.5 mm ² ... 16 mm ²
Conductor cross section, flexible [AWG]	20 ... 6
Flexible conductor cross section flexible (ferrule, w/o plastic sleeve)	0.5 mm ² ... 10 mm ²
Flexible conductor cross section (ferrule with plastic sleeve)	0.5 mm ² ... 10 mm ²
2 conductors with same cross section, solid	0.5 mm ² ... 4 mm ²
2 conductors with the same cross-section AWG rigid	20 ... 12
2 conductors with same cross section, flexible	0.5 mm ² ... 4 mm ²
2 conductors with the same cross-section AWG flexible	20 ... 12
2 conductors with same cross section, flexible, with ferrule without plastic sleeve	0.5 mm ² ... 2.5 mm ²
2 conductors with the same cross section, flexible, with TWIN ferrule with plastic sleeve	0.5 mm ² ... 6 mm ²
Nominal cross section	16 mm ²

Auxiliary contact

Screw thread	M3
Tightening torque	... 0.5 Nm
Stripping length	8 mm
Flexible conductor cross section flexible (ferrule, w/o plastic sleeve)	0.25 mm ² ... 2.5 mm ²
Flexible conductor cross section (ferrule with plastic sleeve)	0.25 mm ² ... 2.5 mm ²

Dimensions

Width	12.5 mm
Width	12.5 mm
Height	83 mm
Height	83 mm
Height NS 35/15	90.5 mm
Height NS 35/7,5	83 mm
Depth	80 mm
Depth	80 mm

Material specifications

Color	black
-------	-------

Electronic circuit breaker - EC-E1 4A



0903026

<https://www.phoenixcontact.com/gb/products/0903026>

Flammability rating according to UL 94	V0
--	----

Environmental and real-life conditions

Ambient conditions

Degree of protection	IP20 (Housing)
Ambient temperature (operation)	0 °C ... 50 °C (non-condensing)
Ambient temperature (storage/transport)	-20 °C ... 70 °C
Humidity test	96 h, 95 % RH, 40 °C

Standards and regulations

Standards/specifications	UL 508
Standards/specifications	CSA 22.2
Standards/specifications	UL 2367
Standards/specifications	CSA 22.2
Standards/specifications	CSA 22.2
Standards/specifications	UL 1604

Mounting

Mounting type	DIN rail: 35 mm
---------------	-----------------

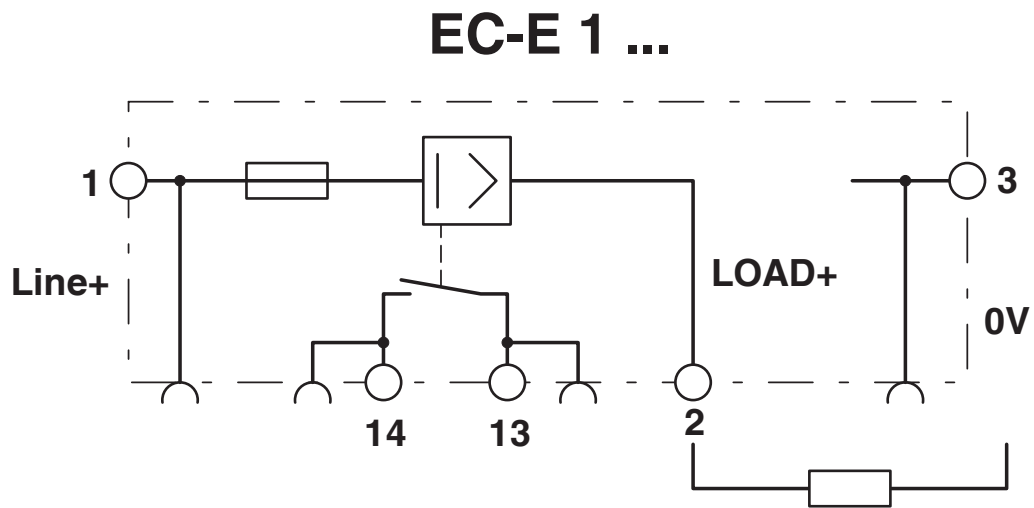
Electronic circuit breaker - EC-E1 4A

0903026

<https://www.phoenixcontact.com/gb/products/0903026>

Drawings

Circuit diagram



Electronic circuit breaker - EC-E1 4A



0903026

<https://www.phoenixcontact.com/gb/products/0903026>

Approvals



UL Recognized

Approval ID: FILE E 317172



DNV GL

Approval ID: TAE00002HC



UL Listed

Approval ID: FILE E 140324



cUL Listed

Approval ID: FILE E 140324



UL Recognized

Approval ID: FILE E 324415



CSA

Approval ID: 2840117

cULus Listed

Electronic circuit breaker - EC-E1 4A



0903026

<https://www.phoenixcontact.com/gb/products/0903026>

Classifications

ECLASS

ECLASS-9.0	27141116
ECLASS-10.0.1	27140401
ECLASS-11.0	27140401

ETIM

ETIM 8.0	EC003538
----------	----------

UNSPSC

UNSPSC 21.0	39121400
-------------	----------

Electronic circuit breaker - EC-E1 4A



0903026

<https://www.phoenixcontact.com/gb/products/0903026>

Environmental Product Compliance


REACH SVHC	Lead 7439-92-1
China RoHS	Environmentally Friendly Use Period = 25;
	For information on hazardous substances, refer to the manufacturer's declaration available under "Downloads"

Electronic circuit breaker - EC-E1 4A

0903026

<https://www.phoenixcontact.com/gb/products/0903026>

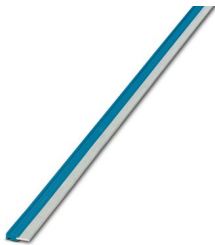
Accessories

 Note: Applying some accessories below might limit this product.

Continuous plug-in bridge

Continuous plug-in bridge - FBST 500-PLC BU - 2966692

<https://www.phoenixcontact.com/gb/products/2966692>



Continuous plug-in bridge, color: blue

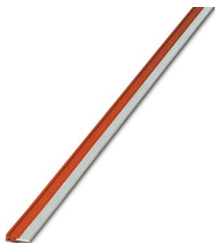
 Max. current carrying capacity: 1 A

When signal contacts are connected in series $I_{max} = 0.5 \text{ A}$


Continuous plug-in bridge

Continuous plug-in bridge - FBST 500-PLC RD - 2966786

<https://www.phoenixcontact.com/gb/products/2966786>



Continuous plug-in bridge, color: red

 Max. current carrying capacity: 1 A

When signal contacts are connected in series $I_{max} = 0.5 \text{ A}$

Electronic circuit breaker - EC-E1 4A

0903026

<https://www.phoenixcontact.com/gb/products/0903026>

Continuous plug-in bridge

Continuous plug-in bridge - FBST 500 TMC-N GY - 0901028

<https://www.phoenixcontact.com/gb/products/0901028>



Continuous plug-in bridge, mounting type: Plug-in mounting, Color: gray

 Max. current carrying capacity: 50 A

Current carrying capacity with two supplies $I_{\max} = 63 \text{ A}$

DIN rail perforated

DIN rail perforated - NS 35/ 7,5 PERF 2000MM - 0801733

<https://www.phoenixcontact.com/gb/products/0801733>



DIN rail perforated, acc. to EN 60715, material: Steel, galvanized, passivated with a thick layer, Standard profile, color: silver, Pack of 25 (50 m)

Electronic circuit breaker - EC-E1 4A

0903026

<https://www.phoenixcontact.com/gb/products/0903026>

DIN rail, unperforated

DIN rail, unperforated - NS 35/ 7,5 CU UNPERF 2000MM-VPE 10 - 0801762

<https://www.phoenixcontact.com/gb/products/0801762>



DIN rail, unperforated, acc. to EN 60715, material: Copper, uncoated, Standard profile, color: copper-colored, Pack of 10 (20 m)

Screwdriver

Screwdriver - SZS 0,6X3,5 - 1205053

<https://www.phoenixcontact.com/gb/products/1205053>



Actuation tool, for ST terminal blocks, insulated, also suitable for use as a bladed screwdriver, size: 0.6 x 3.5 x 100 mm, 2-component grip, with non-slip grip

Electronic circuit breaker - EC-E1 4A

0903026

<https://www.phoenixcontact.com/gb/products/0903026>

DIN rail, unperforated

DIN rail, unperforated - NS 35/15 UNPERF 2000MM - 1201714

<https://www.phoenixcontact.com/gb/products/1201714>



DIN rail, unperforated, similar to EN 60715, material: Steel, galvanized, passivated with a thick layer, Standard profile, color: silver, Pack of 25 (50 m)

Marker for terminal blocks

Marker for terminal blocks - UC-TMF 12 - 0819233

<https://www.phoenixcontact.com/gb/products/0819233>



Marker for terminal blocks, Sheet, white, unlabeled, can be labeled with: BLUEMARK ID COLOR, BLUEMARK ID, BLUEMARK CLED, PLOTMARK, CMS-P1-PLOTTER, mounting type: snapped, for terminal block width: 12 mm, lettering field size: 11.45 x 5.1 mm, Number of individual labels: 40

Electronic circuit breaker - EC-E1 4A

0903026

<https://www.phoenixcontact.com/gb/products/0903026>

Zack Marker strip, flat

Zack Marker strip, flat - ZBF 12:UNBEDRUCKT - 0809735

<https://www.phoenixcontact.com/gb/products/0809735>



Zack Marker strip, flat, Strip, white, unlabeled, can be labeled with: PLOTMARK, CMS-P1-PLOTTER, mounting type: snapped, for terminal block width: 12 mm, lettering field size: 5.15 x 12.15 mm, Number of individual labels: 5

End clamp

End clamp - CLIPFIX 35-5 - 3022276

<https://www.phoenixcontact.com/gb/products/3022276>



Quick mounting end clamp for NS 35/7,5 DIN rail or NS 35/15 DIN rail, with marking option, with parking option for FBS...5, FBS...6, KSS 5, KSS 6, width: 5.15 mm, color: gray

Electronic circuit breaker - EC-E1 4A

0903026

<https://www.phoenixcontact.com/gb/products/0903026>

End clamp

End clamp - E/UK 1 - 1201413

<https://www.phoenixcontact.com/gb/products/1201413>



End clamps, for supporting the ends of double-level and three-level terminal blocks, width: 10 mm, color: gray

DIN rail, unperforated

DIN rail, unperforated - NS 35/15 CU UNPERF 2000MM-VPE 10 - 1201895

<https://www.phoenixcontact.com/gb/products/1201895>



DIN rail, unperforated, similar to EN 60715, material: Copper, uncoated, Standard profile, color: copper-colored, Pack of 10 (20 m)

Electronic circuit breaker - EC-E1 4A

0903026

<https://www.phoenixcontact.com/gb/products/0903026>

DIN rail, unperforated

DIN rail, unperforated - NS 35/15-2,3 UNPERF 2000MM-VPE 10 - 1201798

<https://www.phoenixcontact.com/gb/products/1201798>



DIN rail, unperforated, acc. to EN 60715, material: Steel, galvanized, passivated with a thick layer, Standard profile 2.3 mm, color: silver, Pack of 10 (20 m)

DIN rail, unperforated

DIN rail, unperforated - NS 35/15 AL UNPERF 2000MM - 1201756

<https://www.phoenixcontact.com/gb/products/1201756>



DIN rail, unperforated, similar to EN 60715, material: Aluminum, uncoated, Standard profile, color: silver

Electronic circuit breaker - EC-E1 4A



0903026

<https://www.phoenixcontact.com/gb/products/0903026>

DIN rail perforated

DIN rail perforated - NS 35/15 PERF 2000MM - 1201730

<https://www.phoenixcontact.com/gb/products/1201730>



DIN rail perforated, similar to EN 60715, material: Steel, galvanized, passivated with a thick layer, Standard profile, color: silver, Pack of 25 (50 m)

Marker for terminal blocks

Marker for terminal blocks - UCT-TMF 12 - 0829214

<https://www.phoenixcontact.com/gb/products/0829214>



Marker for terminal blocks, Sheet, white, unlabeled, can be labeled with: TOPMARK NEO, TOPMARK LASER, BLUEMARK ID COLOR, BLUEMARK ID, BLUEMARK CLED, THERMOMARK PRIME, THERMOMARK CARD 2.0, THERMOMARK CARD, mounting type: snapped, for terminal block width: 12 mm, lettering field size: 11.2 x 4.7 mm, Number of individual labels: 30

Phoenix Contact 2022 © - all rights reserved

<https://www.phoenixcontact.com>

PHOENIX CONTACT Ltd

Halesfield 13, Telford

Shropshire, TF7 4PG

01952 681700

info@phoenixcontact.co.uk