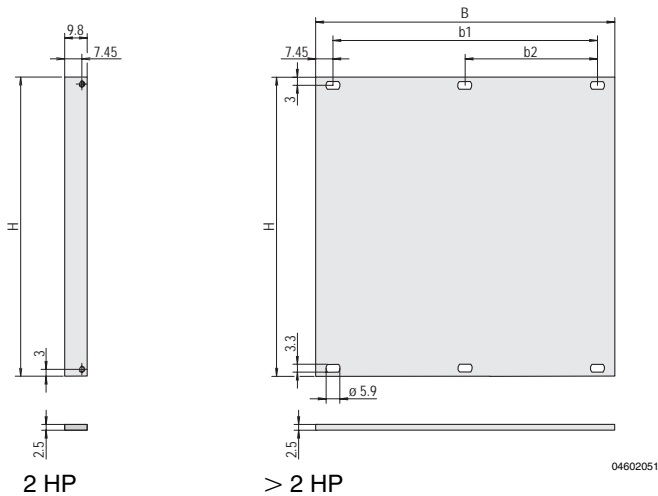


Front panels

Front panels, unshielded



■ Front panel, Al, 2.5 mm

■ Versions:

- Al, anodised
- Al, anodised, untreated cut edges
- Al, front anodised, rear colourless chromated

Note

- Other sizes and finishes available on request
- Please order assembly kit separately, see chapter PCB accessories 7.100

Order Information

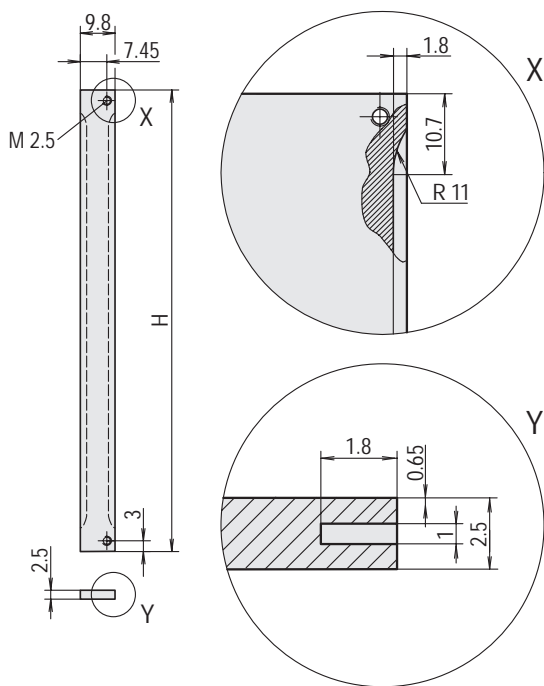
Height	H	Width	B	b1	b2	Qty	Anodised, untreated cut edges	Anodised	Front anodised, rear colourless chromated
U	mm	HP	mm	mm	mm	1) Pieces	Part no.	Part no.	Part no.
1	39.5	84	426.4	411.5	203.2	1	-	-	20850-426
2	84.0	84	426.4	411.5	203.2	1	30818-271	30807-416	30847-461
3	128.4	2	9.8	-	-	1 (SPQ 5)	30810-433	30810-432	30847-470
3	128.4	3	14.9	-	-	1 (SPQ 5)	30818-272	30807-508	30847-471
3	128.4	4	20.0	-	-	1 (SPQ 5)	30818-273	30807-481	30838-043
3	128.4	5	25.0	-	-	1 (SPQ 5)	30818-274	30807-510	30838-044
3	128.4	6	30.1	-	-	1 (SPQ 5)	30818-275	30807-482	30838-045
3	128.4	7	35.2	-	-	1 (SPQ 5)	30818-276	30807-509	30838-046
3	128.4	8	40.3	25.4 ²⁾	-	1 (SPQ 5)	30818-277	30807-484	30838-047
3	128.4	10	50.5	35.6	-	1 (SPQ 5)	30818-279	30807-483	30838-049
3	128.4	12	60.6	45.7	-	1 (SPQ 5)	30818-281	30807-485	30838-051
3	128.4	14	70.8	55.9	-	1 (SPQ 5)	30818-282	30807-501	30838-053
3	128.4	21	106.3	91.4	-	1 (SPQ 5)	30818-289	30807-487	30838-060
3	128.4	28	141.9	127.0	-	1 (SPQ 5)	30818-296	30807-496	30838-067
3	128.4	42	213.0	198.1	101.6 ²⁾	1	30818-310	30807-494	30838-081
3	128.4	63	319.7	304.8	157.5	1	30818-331	30808-067	30838-102
3	128.4	84	426.4	411.5	203.2	1	30818-352	30807-506	30838-123
4	172.9	84	426.4	411.5	203.2	1	30818-434	30807-596	30847-465
6	261.8	2	9.8	-	-	1 (SPQ 5)	30818-747	30818-741	30847-472
6	261.8	4	20.0	-	-	1 (SPQ 5)	30818-518	30807-778	30838-124
6	261.8	5	25.0	-	-	1 (SPQ 5)	30818-519	30807-777	30838-125
6	261.8	6	30.1	-	-	1 (SPQ 5)	30818-520	30807-752	30838-126
6	261.8	7	35.2	-	-	1 (SPQ 5)	30818-521	-	30838-127
6	261.8	8	40.3	25.4 ²⁾	-	1 (SPQ 5)	30818-522	30807-779	30838-128
6	261.8	10	50.5	35.6	-	1 (SPQ 5)	30818-524	30807-753	30838-130
6	261.8	12	60.6	45.7	-	1 (SPQ 5)	30818-526	30807-755	30838-132
6	261.8	14	70.8	55.9	-	1 (SPQ 5)	30818-528	30807-758	30838-134
6	261.8	16	80.9	66.0	-	1 (SPQ 5)	30818-530	30807-780	30838-136
6	261.8	21	106.3	91.4	-	1 (SPQ 5)	30818-535	30807-757	30838-141
6	261.8	28	141.9	127.0	-	1 (SPQ 5)	30818-542	30807-766	30838-148
6	261.8	42	213.0	198.1	101.6 ²⁾	1	30818-556	30807-764	30838-162
6	261.8	63	319.7	304.8	157.5	1	30818-577	30807-771	30838-183
6	261.8	84	426.4	411.5	203.2	1	30818-598	30807-776	30838-204
9	395.1	84	426.4	411.5	203.2	1	-	-	30847-556

1) SPQ (standard pack quantity): Order number includes 1 piece, but delivery is exclusively made in standard pack quantity (SPQ); please order at least the SPQ quantity or a multiple thereof

2) This dimension is only available for version "front anodised, rear iridescent green chromated" version

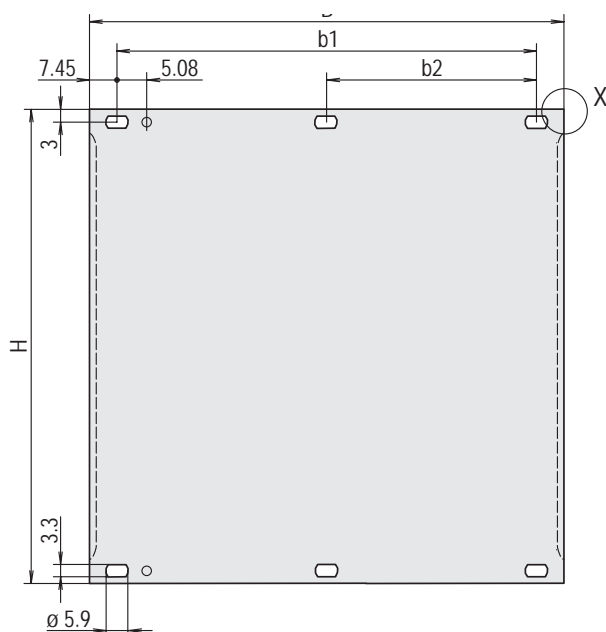
Front panels

Front panels shieldable



2 HP

04602052



> 2 HP

04608154

- Front panel, Al, 2.5 mm, front anodised, rear iridescent green chromated, 2 alignment pins pressed-in, stainless steel
- Shielding with stainless steel EMC gasket

Order Information

Height U	H mm	Width B HP	b1 mm	b2 mm	Align-ment pin	Qty Pieces	Part no.	
2	84	84	426.4	411.5	203.2	–	1	30846-588
3	128.4	2	9.8	–	–	–	1 (SPQ 5)	30846-864
3	128.4	3	14.9	–	–	x	1 (SPQ 5)	20846-425
3	128.4	4	20	–	–	x	1 (SPQ 5)	20846-426
3	128.4	5	25	–	–	x	1 (SPQ 5)	20846-427
3	128.4	6	30.1	–	–	x	1 (SPQ 5)	20846-428
3	128.4	7	35.2	–	–	x	1 (SPQ 5)	20846-429
3	128.4	8	40.3	25.4	–	x	1 (SPQ 5)	20846-430
3	128.4	10	50.5	35.6	–	x	1 (SPQ 5)	20846-431
3	128.4	12	60.6	45.7	–	x	1 (SPQ 5)	20846-432
3	128.4	14	70.8	55.9	–	x	1 (SPQ 5)	20846-433
3	128.4	21	106.3	91.4	–	x	1 (SPQ 5)	20846-434
3	128.4	28	141.9	127	–	x	1 (SPQ 5)	20846-436
3	128.4	42	213	198.1	101.6	x	1	20846-437
3	128.4	63	319.7	304.8	157.5	x	1	20846-438
3	128.4	84	426.4	411.5	203.2	–	1	30846-676
4	172.9	84	426.4	411.5	203.2	–	1	30846-683
6	261.8	2	9.8	–	–	–	1 (SPQ 5)	30846-865
6	261.8	4	20	–	–	x	1 (SPQ 5)	20846-443
6	261.8	5	25	–	–	x	1 (SPQ 5)	20846-444
6	261.8	6	30.1	–	–	x	1 (SPQ 5)	20846-445
6	261.8	7	35.2	–	–	x	1 (SPQ 5)	20846-446
6	261.8	8	40.3	25.4	–	x	1 (SPQ 5)	20846-447
6	261.8	10	50.5	35.6	–	x	1 (SPQ 5)	20846-448
6	261.8	12	60.6	45.7	–	x	1 (SPQ 5)	20846-449
6	261.8	14	70.8	55.9	–	x	1 (SPQ 5)	20846-450
6	261.8	16	80.9	66	–	x	1 (SPQ 5)	20846-456
6	261.8	21	106.3	91.4	–	x	1 (SPQ 5)	20846-451
6	261.8	28	141.9	127	–	x	1 (SPQ 5)	20846-452
6	261.8	42	213	198.1	101.6	x	1	20846-453
6	261.8	63	319.7	304.8	157.5	x	1	20846-454
6	261.8	84	426.4	411.5	203.2	–	1	30846-771
9	395.1	84	426.4	411.5	203.2	–	1	30846-859

Delivery is exclusively in Standard Pack Quantity (SPQ): Please order at least 5 pieces or a multiple. Pricing is per individual item.

Note

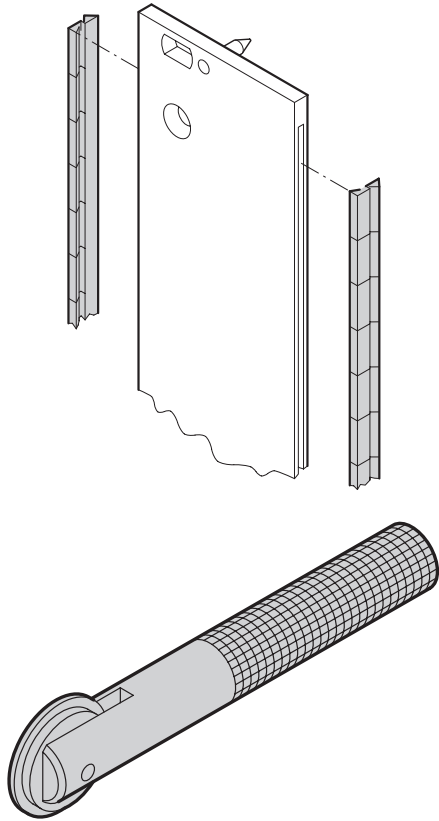
- Please order assembly kit separately, see chapter PCB accessories 7.100
- Please order stainless steel EMC gasket separately, see page 7.6



For further information www.schroff.biz/oneclick
oneClick search code = Part no.

Front panels

EMC gaskets (stainless steel)



Assembly tool

04602083

aza45937

- The stainless steel EMC gaskets are inserted into the lateral slots of the shieldable front panels (2 pieces per front panel)

Delivery comprises

Item	Description
1	EMC gasket (stainless steel)

Order Information

Height U	Height mm	Qty/PU	Part no.
2	52	10	21101-775
3	97	10	21101-705
3	97	100	21101-706
4	142	10	21101-713
4	142	100	21101-714
6	232	10	21101-707
6	232	100	21101-708
9	367	10	21101-709
9	367	100	21101-710
Assembly tool for EMC gasket (stainless steel), 1 piece			24560-270

Note

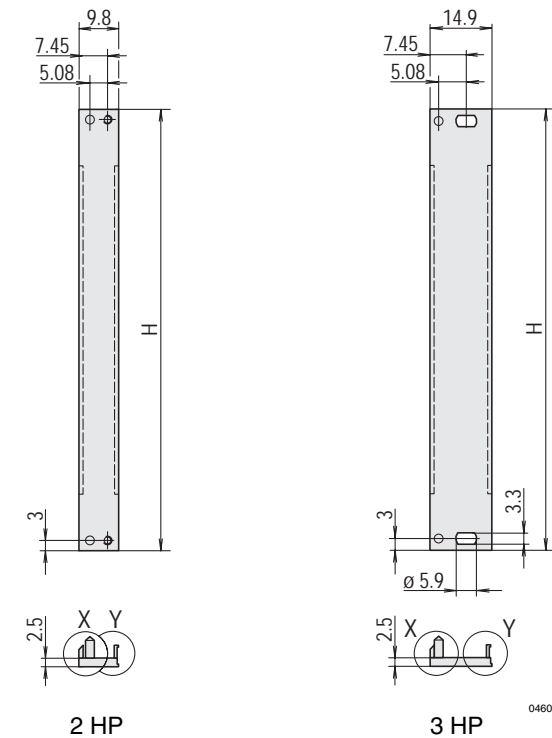
- Please order assembly tool separately



For further information www.schroff.biz/oneclick
oneClick search code = Part no.

Front panels

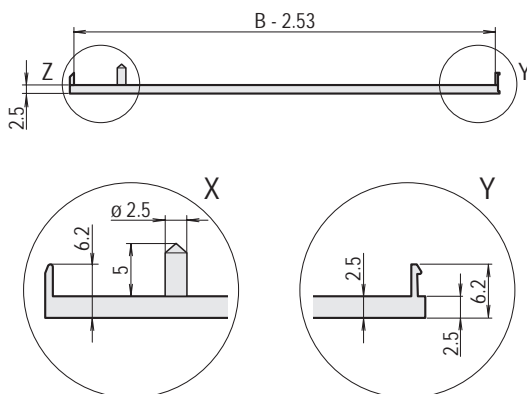
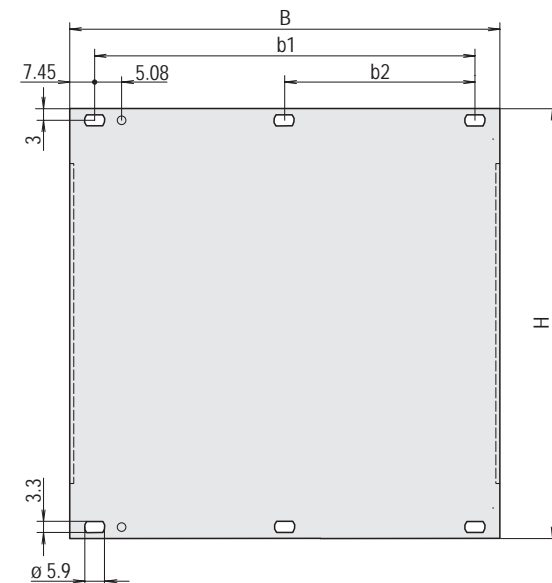
Front panels, U profile, shieldable



2 HP

3 HP

04608155 04608158



> 3 HP

04608156

- High stability through U profile
- Front panel, U profile, Al, front anodised, rear conductive, 2 alignment pins pressed-in, stainless steel

Order Information

Height H	Width B	b1	b2	Align-ment pin	Qty Pieces	Part no.	
U mm	HP	mm	mm	mm			
2	84	84	426.4	411.5	203.2	-	1 (SPQ 5) 20848-262
3	128.4	2	9.8	-	-	x	1 (SPQ 5) 30849-001
3	128.4	3	14.9	-	-	x	1 (SPQ 5) 30849-004
3	128.4	4	20	-	-	x	1 (SPQ 5) 30848-354
3	128.4	5	25	-	-	x	1 (SPQ 5) 30848-378
3	128.4	6	30.1	-	-	x	1 (SPQ 5) 30848-380
3	128.4	7	35.2	-	-	x	1 (SPQ 5) 30848-382
3	128.4	8	40.3	25.4	-	x	1 (SPQ 5) 30848-356
3	128.4	10	50.5	35.6	-	x	1 (SPQ 5) 30848-386
3	128.4	12	60.6	45.7	-	x	1 (SPQ 5) 30848-358
3	128.4	14	70.8	55.9	-	x	1 (SPQ 5) 20848-013
3	128.4	16	80.9	66	-	x	1 (SPQ 5) 20848-015
3	128.4	21	106.3	91.4	-	x	1 (SPQ 5) 20848-020
3	128.4	28	141.9	127	-	x	1 (SPQ 5) 20848-027
3	128.4	42	213	198.1	101.6	x	1 20848-047
3	128.4	63	319.7	304.8	157.5	x	1 20848-068
3	128.4	84	426.4	411.5	203.2	-	1 20848-097
4	172.9	84	426.4	411.5	203.2	-	1 20848-271
6	261.8	2	9.8	-	-	x	1 (SPQ 5) 30849-002
6	261.8	4	20	-	-	x	1 (SPQ 5) 30848-355
6	261.8	5	25	-	-	x	1 (SPQ 5) 30848-379
6	261.8	6	30.1	-	-	x	1 (SPQ 5) 30848-381
6	261.8	7	35.2	-	-	x	1 (SPQ 5) 30848-383
6	261.8	8	40.3	25.4	-	x	1 (SPQ 5) 30848-357
6	261.8	10	50.5	35.6	-	x	1 (SPQ 5) 30848-387
6	261.8	12	60.6	45.7	-	x	1 (SPQ 5) 30848-359
6	261.8	14	70.8	55.9	-	x	1 (SPQ 5) 20848-106
6	261.8	16	80.9	66	-	x	1 (SPQ 5) 20848-108
6	261.8	21	106.3	91.4	-	x	1 (SPQ 5) 20848-113
6	261.8	28	141.9	127	-	x	1 (SPQ 5) 20848-120
6	261.8	42	213	198.1	101.6	x	1 20848-139
6	261.8	63	319.7	304.8	157.5	x	1 20848-160
6	261.8	84	426.4	411.5	208.3	-	1 20848-189
9	395.1	84	426.4	411.5	203.2	-	1 20848-280

Delivery is exclusively in Standard Pack Quantity (SPQ): Please order at least 5 pieces or a multiple. Pricing is per individual item.

Note

- Differences in finish between 2 ... 12 HP and 14 ... 84 HP
 - 2 ... 12 HP: one-part U-profile
 - 14 ... 84 HP: multi-part U-profile (front panel with crimped profiles)
- Please order assembly kit separately, see chapter PCB accessories 7.100
- Please order textile EMC gasket separately, see page 7.8

Front panels

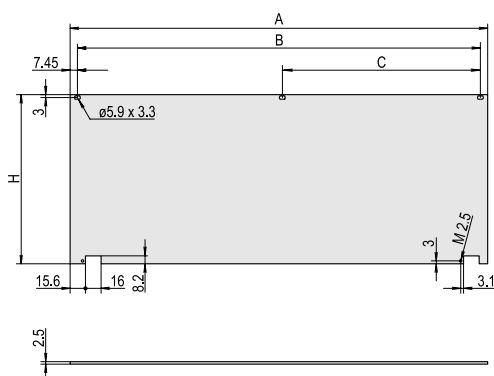
Front panels, bottom-hinged



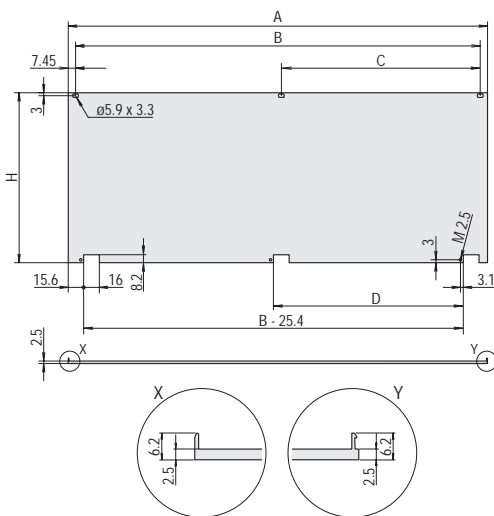
- For subracks and cases, can be removed at 135° (subracks as well as cases ratiopacPRO, propacPRO, compacPRO)
- The usable width is not restricted
- Assembly on horizontal rails
- 2 versions:
 - unshielded
 - shielded, U front panel with EMC gasket (textile)

Delivery comprises (kit)

Item	Qty		Description
	Unshielded	Shielded	
1	1	-	Front panel, hinged, Al, 2.5 mm, anodised, cut edges plain
1a	-	1	Front panel, U profile, hinged, Al, 2.5 mm, front anodised, rear iridescent green chromated
2	2	3	Hinge, Zn die-cast, nickel-plated
3	2	3	Sleeve, PA
4	2	3	Knurled screw M2.5 x 12.3, nickel-plated
5	-	1	EMC gasket (textile)core: foam, sleeve: textile cladding with CuNi coating
6	1	1	Assembly kit



Unshielded



Shielded

Note

- Unshielded: Dimension C for 84 HP only

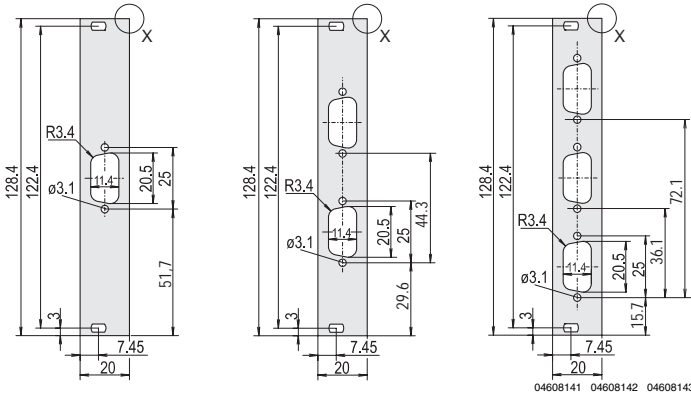
Order Information

Dimensions							Shielded	Unshielded
Height	Width	A	B	C	D	H	Part no.	Part no.
U	HP	mm	mm	mm	mm	mm		
3	28	141.9	127.0	-	-	128.4	20848-608	20838-280
3	42	213.0	198.1	101.6	86.4	128.4	20848-599	20838-271
3	63	319.7	304.8	157.5	137.2	128.4	20848-600	20838-272
3	84	426.4	411.5	208.3 ¹⁾	193.0	128.4	20848-601	20838-273
4	42	213.0	198.1	101.6	86.4	172.9	20848-605	20838-277
4	63	319.7	304.8	157.5	137.2	172.9	20848-606	20838-278
4	84	426.4	411.5	208.3 ¹⁾	193.0	172.9	20848-607	20838-279
6	28	141.9	127.0	-	-	261.8	20848-696	-
6	42	213.0	198.1	101.6	86.4	261.8	20848-602	20838-274
6	63	319.7	304.8	157.5	137.2	261.8	20848-603	20838-275
6	84	426.4	411.5	208.3 ¹⁾	193.0	261.8	20848-604	20838-276

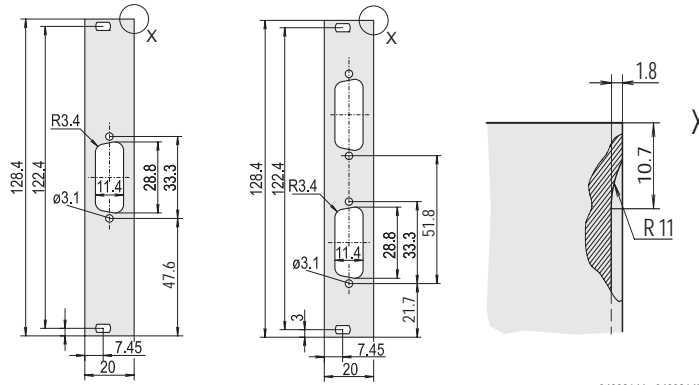
1) Dimension with unshielded front panel only

Front panels

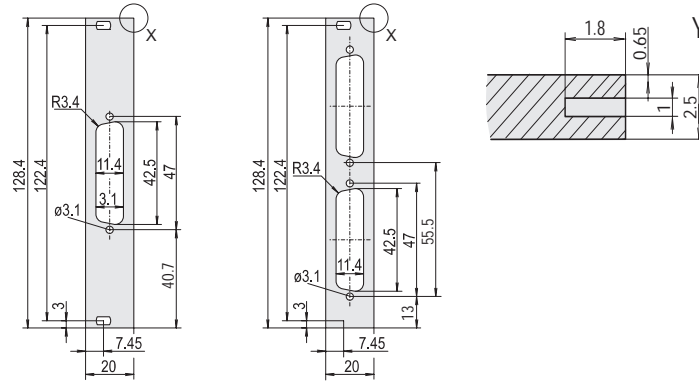
Front panels for D-Sub connectors



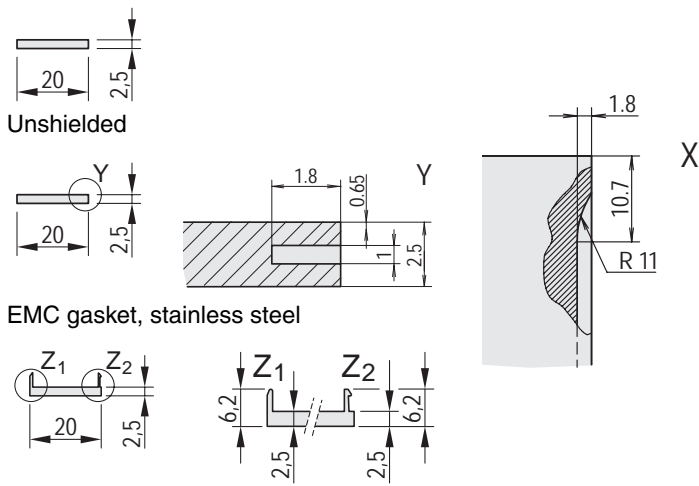
Cut-out 9-pin



Cut-out 15-pin



Cut-out 25-pin



For textile EMC gasket

- 3 U/4 HP
- Aluminium, front anodised, rear iridescent green chromated
- Shielding through stainless steel EMC gasket or textile EMC gasket (please order separately)

Delivery comprises

Item	Description
1a	Front panel, Al, 2.5 mm, front anodised, rear iridescent green chromated
1b	Front panel, Al, 2.5 mm, front anodised, rear iridescent green chromated; for EMC gasket (stainless steel)
1c	Front panel, U profile, Al, 2.5 mm, front anodised, rear conductive; for EMC gasket (textile)

Order Information

Cut-out	Qty	Unshielded	For EMC gasket	
			Stainless steel	Textile
	Pieces	Part no.	Part no.	Part no.
		1a	1b	1c
1 × 9-pin	1 (SPQ 5)	30118-341	30118-348	30849-749
2 × 9-pin	1 (SPQ 5)	30118-344	30118-351	30849-750
3 × 9-pin	1 (SPQ 5)	30118-347	30118-354	30849-751
1 × 15-pin	1 (SPQ 5)	30118-342	30118-349	30849-752
2 × 15-pin	1 (SPQ 5)	30118-345	30118-352	30849-753
1 × 25-pin	1 (SPQ 5)	30118-343	30118-350	30849-754
2 × 25-pin	1 (SPQ 5)	30118-346	30118-353	30849-755

Delivery is exclusively in Standard Pack Quantity (SPQ): Please order at least 5 pieces or a multiple. Pricing is per individual item.

Note

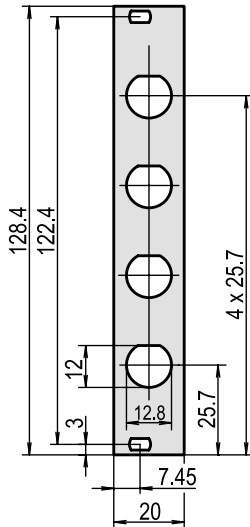
- Please order assembly kit separately, see chapter PCB accessories 7.100
- Please order stainless steel EMC gasket separately, see page 7.6
- Please order textile EMC gasket separately, see page 7.8



For further information www.schroff.biz/oneclick
oneClick search code = Part no.

Front panels

Front panels for Coax connectors



04602057

■ 3 U/4 HP

■ Aluminium, 2.5 mm, front anodised, rear iridescent green chromated

Order Information

Description	Qty/PU	Part no.
Cut-out 4 x Coax, unshielded	1	30118-355

Note

■ Please order assembly kit separately, see page 7.100



For further information www.schroff.biz/oneclick
oneClick search code = Part no.

Front panels 3 U with GND/earthing connection



02998001

■ Earthed front panel (protection class 1)

Delivery comprises (items 1 – 3 assembled)

Item	Qty	Description
1	1	Front panel 3 U, Al, 2.5 mm, front anodised, rear colourless chromated with GND/earthing connection
2	4	Plastic sleeve, PA, grey
3	4	Collar screw M2.5 x 11 and 12.3 Pozidrive, St, nickel-plated
4	1	GND/earthing kit, GND/earthing cable 320 mm

Order Information

Height	Width	Qty	Part no.
U	HP	Pieces	
3	7	1 (SPQ 5)	20119-159
3	14	1 (SPQ 5)	20119-160
3	21	1 (SPQ 5)	20119-161
3	28	1 (SPQ 5)	20119-162
3	42	1	20119-163

Delivery is exclusively in Standard Pack Quantity (SPQ): Please order at least 5 pieces or a multiple. Pricing is per individual item.

Note

■ Please order assembly kit separately, see chapter PCB accessories 7.100



For further information www.schroff.biz/oneclick
oneClick search code = Part no.