

MATERIAL

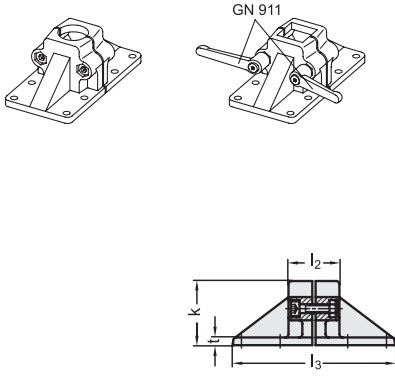
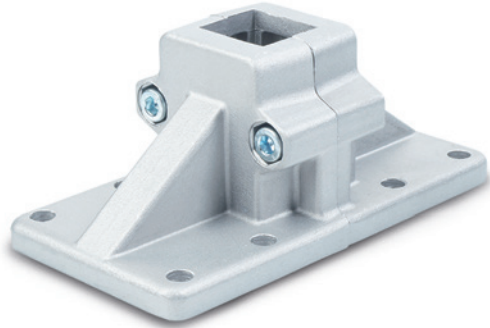
Aluminium, matte finish.
AISI 304 stainless steel screws and nuts.

STANDARD EXECUTIONS

- **GN 167-BL**: natural aluminium.
- **GN 167-SW**: aluminium, epoxy resin coating, RAL 9005 black colour.

FEATURES AND APPLICATIONS

The assembly hole of GN 167 connecting clamps allows an excellent match with tubes GN 990 (see page 1778).
The clamping screws d_3 may be replaced by clamping kits GN 911 (see page 1782).



GN 167-BL

Code	Description	d1 Hole	s Square hole	d2	d3	k	l1	l2	l3	t	x1	x2	y1	y2	y3	d3 Clamping kit	
GN.50111	GN 167-B20-2-BL	20	-	7	M8	58	69	46	146	7	75	60	72	35	30	GN 911-M8-40	394
GN.50131	GN 167-B25-2-BL	25	-	7	M8	58	69	46	146	7	75	60	72	35	30	GN 911-M8-40	388
GN.50151	GN 167-B30-2-BL	30	-	7	M8	58	69	46	146	7	75	60	72	35	30	GN 911-M8-40	384
GN.50171	GN 167-B40-2-BL	40	-	11	M10	91	98	70	218	14	115	90	108	50	45	GN 911-M10-63	1222
GN.50191	GN 167-B42-2-BL	42	-	11	M10	91	98	70	218	14	115	90	108	50	45	GN 911-M10-63	1194
GN.50211	GN 167-B45-2-BL	45	-	11	M10	91	98	70	218	14	115	90	108	50	45	GN 911-M10-63	1182
GN.50231	GN 167-B48-2-BL	48	-	11	M10	91	98	70	218	14	115	90	108	50	45	GN 911-M10-63	1172
GN.50251	GN 167-B50-2-BL	50	-	11	M10	91	98	70	218	14	115	90	108	50	45	GN 911-M10-63	1154
GN.50311	GN 167-V20-2-BL	-	20x20	7	M8	58	69	46	146	7	75	60	72	35	30	GN 911-M8-40	398
GN.50331	GN 167-V25-2-BL	-	25x25	7	M8	58	69	46	146	7	75	60	72	35	30	GN 911-M8-40	374
GN.50351	GN 167-V30-2-BL	-	30x30	7	M8	58	69	46	146	7	75	60	72	35	30	GN 911-M8-40	368
GN.50371	GN 167-V40-2-BL	-	40x40	11	M10	91	98	70	218	14	115	90	108	50	45	GN 911-M10-63	1176
GN.50391	GN 167-V45-2-BL	-	45x45	11	M10	91	98	70	218	14	115	90	108	50	45	GN 911-M10-63	1148
GN.50411	GN 167-V50-2-BL	-	50x50	11	M10	91	98	70	218	14	115	90	108	50	45	GN 911-M10-63	1094

GN 167-SW

GN.50116	GN 167-B20-2-SW	20	-	7	M8	58	69	46	146	7	75	60	72	35	30	GN 911-M8-40	394
GN.50136	GN 167-B25-2-SW	25	-	7	M8	58	69	46	146	7	75	60	72	35	30	GN 911-M8-40	388
GN.50156	GN 167-B30-2-SW	30	-	7	M8	58	69	46	146	7	75	60	72	35	30	GN 911-M8-40	384
GN.50176	GN 167-B40-2-SW	40	-	11	M10	91	98	70	218	14	115	90	108	50	45	GN 911-M10-63	1222
GN.50196	GN 167-B42-2-SW	42	-	11	M10	91	98	70	218	14	115	90	108	50	45	GN 911-M10-63	1194
GN.50216	GN 167-B45-2-SW	45	-	11	M10	91	98	70	218	14	115	90	108	50	45	GN 911-M10-63	1182
GN.50236	GN 167-B48-2-SW	48	-	11	M10	91	98	70	218	14	115	90	108	50	45	GN 911-M10-63	1172
GN.50256	GN 167-B50-2-SW	50	-	11	M10	91	98	70	218	14	115	90	108	50	45	GN 911-M10-63	1154
GN.50316	GN 167-V20-2-SW	-	20x20	7	M8	58	69	46	146	7	75	60	72	35	30	GN 911-M8-40	398
GN.50336	GN 167-V25-2-SW	-	25x25	7	M8	58	69	46	146	7	75	60	72	35	30	GN 911-M8-40	374
GN.50356	GN 167-V30-2-SW	-	30x30	7	M8	58	69	46	146	7	75	60	72	35	30	GN 911-M8-40	368
GN.50376	GN 167-V40-2-SW	-	40x40	11	M10	91	98	70	218	14	115	90	108	50	45	GN 911-M10-63	1176
GN.50396	GN 167-V45-2-SW	-	45x45	11	M10	91	98	70	218	14	115	90	108	50	45	GN 911-M10-63	1148
GN.50416	GN 167-V50-2-SW	-	50x50	11	M10	91	98	70	218	14	115	90	108	50	45	GN 911-M10-63	1094

