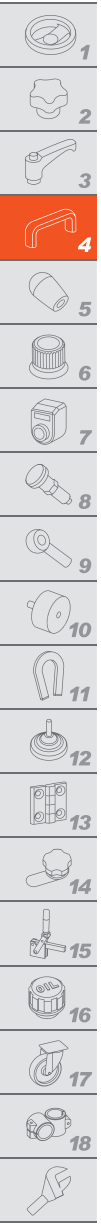


RH-EE-03 | Folding handles with recessed tray

Stainless steel



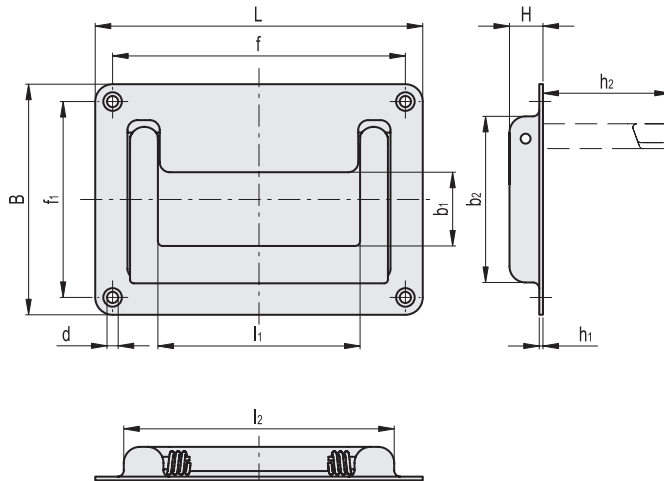
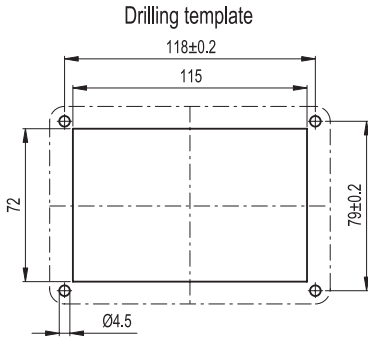
STANDARD EXECUTIONS

Pass-through holes for M4 countersunk-head screws.

- **RHEE-03.39**: AISI 304 stainless steel with electropolished finish.
Return spring, from the operating position to the resting position, made from AISI 304 stainless steel.
- **RHEE-03.49**: AISI 316L stainless steel with electropolished finish.
Return spring, from the operating position to the resting position, made from AISI 316L stainless steel.

APPLICATIONS

RH-EE-03 series flush pull handles are generally used on devices where it is requested to save space.



RHEE-03.39



Code	f	L	B	f1	b1	b2	H	h1	h2	l1	l2	d	⚖️
RHEE-03.118.39	118	132	93	79	27	67	13.5	1.5	51	74	109	4.5	335

RHEE-03.49



Code	f	L	B	f1	b1	b2	H	h1	h2	l1	l2	d	⚖️
RHEE-03.118.49	118	132	93	79	27	67	13.5	1.5	51	74	109	4.5	335