

MATERIAL

Glass-fibre reinforced polyamide (PA) SUPER-technopolymer, black colour, matte finish.

PACKING RING

NBR synthetic rubber O-Ring.

In addition to guaranteeing the O-ring retention, the seat for the housing allows an optimal seal even with minimum tightening torques.

MAXIMUM CONTINUOUS WORKING TEMPERATURE

100°C.

GRAPHIC SYMBOL "FILL"

According to DIN regulations.

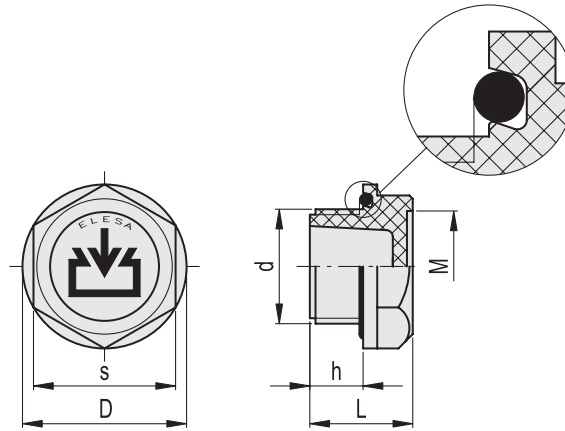
TECHNICAL DATA

In laboratory tests carried out with mineral oil type CB68 (according to ISO 3498) at 23°C for a limited period of time, the values of pressure resistance were much higher than 100 bar.

In any case, we suggest to check the suitability of the product with regard to the fluid nature, operating temperature and application type under the actual working conditions.



ELESA Original design



| Code | Description | d | h | s | D | L | M | ⚖️ |
|--------|-------------|---------|----|----|------|----|------|----|
| 158685 | TCR.14x1.5 | M14x1.5 | 9 | 19 | 22 | 17 | 15 | 4 |
| 158686 | TCR.16x1.5 | M16x1.5 | 10 | 22 | 25.5 | 18 | 17 | 6 |
| 158687 | TCR.20x1.5 | M20x1.5 | 11 | 27 | 32 | 20 | 20.5 | 8 |
| 158688 | TCR.26x1.5 | M26x1.5 | 12 | 32 | 37 | 22 | 25 | 14 |
| 158689 | TCR.27x1.5 | M27x1.5 | 12 | 32 | 37 | 22 | 25 | 14 |
| 158690 | TCR.33x1.5 | M33x1.5 | 13 | 38 | 44 | 23 | 31 | 18 |
| 158691 | TCR.40x1.5 | M40x1.5 | 14 | 46 | 53.5 | 26 | 38 | 19 |
| 158692 | TCR.42x2 | M42x2 | 15 | 46 | 53.5 | 26 | 38 | 21 |
| 158695 | TCR.1/4 | G 1/4 | 9 | 19 | 22 | 17 | 15 | 4 |
| 158696 | TCR.3/8 | G 3/8 | 9 | 22 | 25.5 | 18 | 17 | 6 |
| 158697 | TCR.1/2 | G 1/2 | 11 | 27 | 32 | 20 | 20.5 | 8 |
| 158698 | TCR.3/4 | G 3/4 | 12 | 32 | 37 | 22 | 25 | 14 |
| 158699 | TCR.1 | G 1 | 13 | 38 | 44 | 23 | 31 | 18 |
| 158711 | TCR.1¼ | G1 1/4 | 14 | 46 | 53.5 | 26 | 38 | 32 |
| 158713 | TCR.1½ | G1 1/2 | 15 | 55 | 63.5 | 28 | 46 | 51 |

- 1
- 2
- 3
- 4
- 5
- 6
- 7
- 8
- 9
- 10
- 11
- 12
- 13
- 14
- 15
- 16
- 17
- 18

Accessories for hydraulic systems