

- 1
- 2
- 3
- 4
- 5
- 6
- 7
- 8
- 9
- 10
- 11
- 12
- 13
- 14
- 15
- 16
- 17
- 18

MATERIAL

High-strength, reinforced phenolic based (PF) Duroplast, black colour, glossy finish.

STANDARD EXECUTION

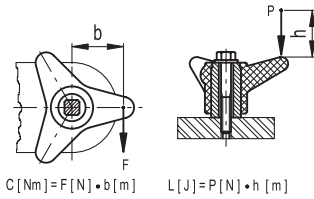
Black-oxide steel hub with uncovered front end and pre-drilled blind hole. See table for maximum permissible boring diameters d' and d".

APPLICATIONS

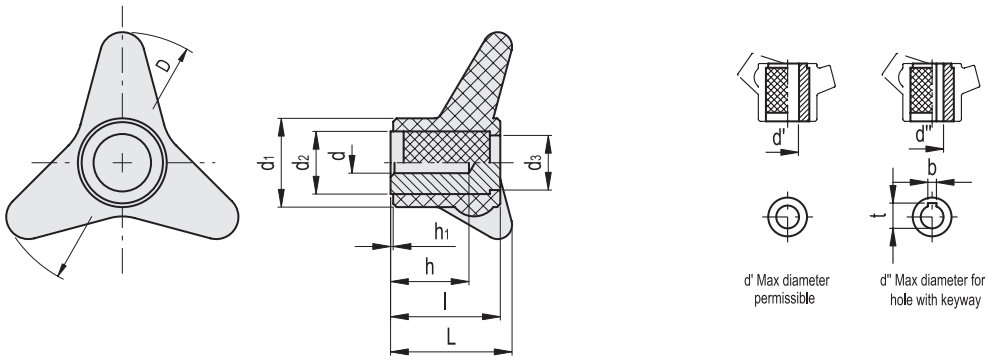
This knob has been designed for heavy duty work where the use of a hammer for a firmer clamping action is required.

ACCESSORIES ON REQUEST

Axial retaining washer type GN 184 (see page 897).



ELESA Original design



Code	Description	D	dH9	L	d1	d2	d3	l	h	h1	d'	d''	t	b	C# [Nm]	L* [J]	⚖️
65101	VB.239/80	80	6	36	30	20	18	32	22	0.3	15	11	12.8	4	65	2	110
65201	VB.239/100	100	8	47	34	24	22	42	30	1	18	14	16.3	5	110	3	190
65301	VB.239/140	140	10	50	43	26	26	43	30	1	20	16	18.3	5	240	6	325

"Max limit Tightening torque" means the max torque value at which the metal insert, in normal conditions of use, is perfectly and strongly anchored to the plastic material.

* For impact strength (L) see Technical data on page A-3.