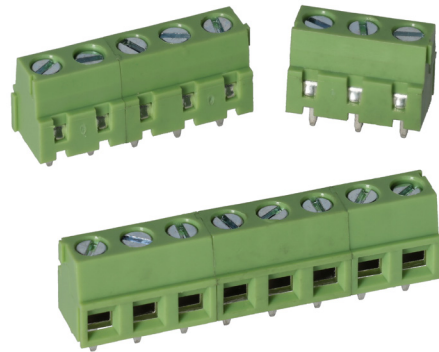


Specifications

Pitch:	5.08mm
Type:	Rising Clamp
Poles:	2 to 12
Rated Voltage:	See Table
Rated Current:	See Table
Operational Temperature:	-40°C to +105°C
Withstand Voltage:	2000V AC for 60s
Insulation Resistance:	500MΩ at 500V DC
Wire Range:	See Table
Wire Stripping Length:	5-6mm ± 0.5mm
Screw Size:	M3
Max. Torque Value:	0.5Nm
Wave Soldering:	260°C for 5s
Hand Soldering:	350°C for 10s

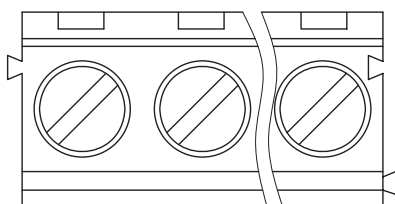
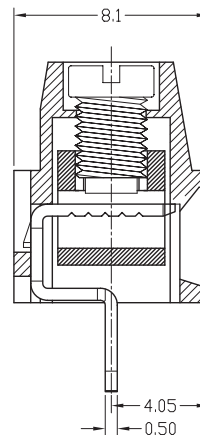
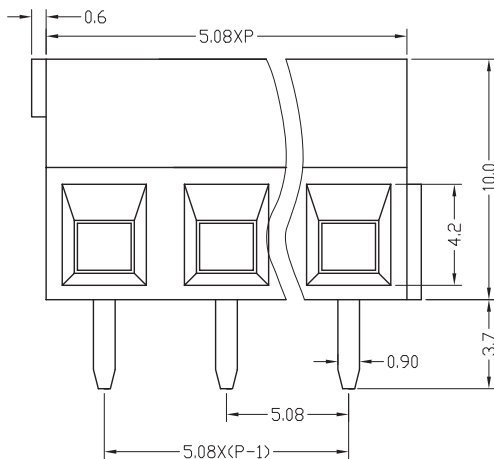


Order Code	Poles	Order Code	Poles
21-1841	2	21-1846	8
21-1842	3	21-1817	9
21-1843	4	21-1847	10
21-1844	5	21-1829	11
21-1845	6	21-1848	12
21-1813	7		

Colour and Materials

Housing Colour:	Green
Housing Material:	PA66
Flame Retardancy:	UL94-V0
Screw:	Zinc-plated steel (A3)
Wire Cage:	Nickel-plated brass
Pin Header:	Tin-plated brass

Standard	Rated Voltage	Rated Current	Wire Range
UL	300V	12A	26-14AWG (0.14-2.5mm ²)
IEC	250V	15A	1.5mm ²



Measurements are in mm unless stated otherwise.

