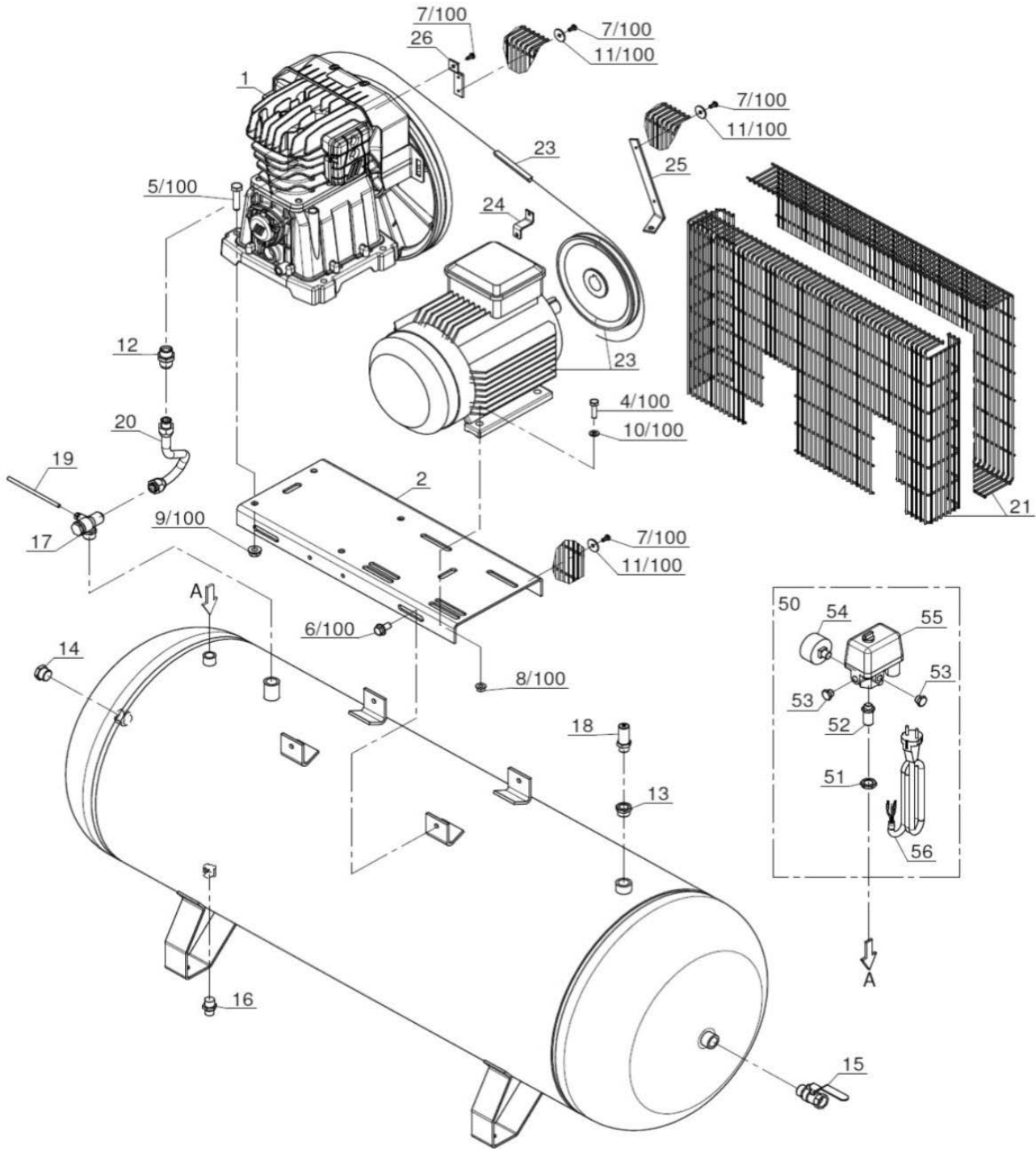




Parts Information:  
Compressor 200ltr Belt Drive 3hp with  
Cast Cylinders  
Model No: SAC2203B.V2



**NOTE:** It is our policy to continually improve products and as such we reserve the right to alter data, specifications and component parts without prior notice.

**IMPORTANT:** No liability is accepted for incorrect use of product.

**WARRANTY:** Guarantee is 12 months from purchase date, proof of which will be required for any claim.

Sealey Group, Kempson Way, Suffolk Business Park, Bury St Edmunds, Suffolk. IP32 7AR



01284 757500



01284 703534



sales@sealey.co.uk



www.sealey.co.uk



Parts Information:  
**Compressor 200ltr Belt Drive 3hp with  
Cast Cylinders**  
**Model No: SAC2203B.V2**

Item	Part No.	Description
1	SAC3020041000	PUMP UNIT
2	SAC5010940008	BASE PLATE
3	SAC5159200008	TANK 200ltr
4	SS825.S	HEX HEAD SET SCREW M8x25mm SINGLE
5	SS1045.S	HEX HEAD SET SCREW M10x45mm SINGLE
6	SFS1020.S	HEX HEAD FLANGE BOLT M10x20 SINGLE
7	MSP512.S	MACHINE SCREW PAN HEAD PHILLIPS M5x12mm
8	SN8.S	STEEL NUT M8 ZINC DIN934 (SINGLE)
9	SN10.S	STEEL NUT M10 ZINC DIN934(SINGLE)
10	FWM8.S	FLAT WASHER M8 SINGLE
11	RW625.S	REPAIR WASHER M6x25 (SINGLE)
12	SAC7081040000	JOINT 1/2"
13	SAC7085020000	FITTING 1/2"-3/8" M/F
14	SAC7090030000	PLUG 1/2
15	SAC7130150000	TAP 1/2" M/F
16	SAC7130160000	TAP 3/8"
17	SAC7190190000	NON-RETURN VALVE

Item	Part No.	Description
18	SAC7192090000	SAFETY VALVE
19	SAC7230010000	RISLAN HOSE (SOLD PER 1 METER)
20	SAC7238810000	INFEED HOSE
21	SAC4170130000	BELT GUARD KIT
22	V/M51	V-BELT (ID-1295) M51
23	SAC4151600000	MOTOR C/W PULLEY
24	SAC7458860000	BELT GUARD SUPPORT
25	SAC7459260000	BELT GUARD SUPPORT
26	SAC7459670000	BELT GUARD SUPPORT
50	SAC4057710000	PRESSURE SWITCH KIT
51	SAC7023050000	LOCK NUT
52	SAC7088060000	CONNECTOR
53	SAC7090070000	PLUG 1/4"
54	SAC9700001789	PRESSURE GAUGE 230 psi, 50mm OD, rear fi
55	SAC7250360000	PRESSURE SWITCH 20Amp
56	SAC7329050000	INFEED CABLE
100	SAC4080500000	SCREW KIT

**NOTE:** It is our policy to continually improve products and as such we reserve the right to alter data, specifications and component parts without prior notice.

**IMPORTANT:** No liability is accepted for incorrect use of product.

**WARRANTY:** Guarantee is 12 months from purchase date, proof of which will be required for any claim.

**Sealey Group**, Kempson Way, Suffolk Business Park, Bury St Edmunds, Suffolk. IP32 7AR



01284 757500



01284 703534



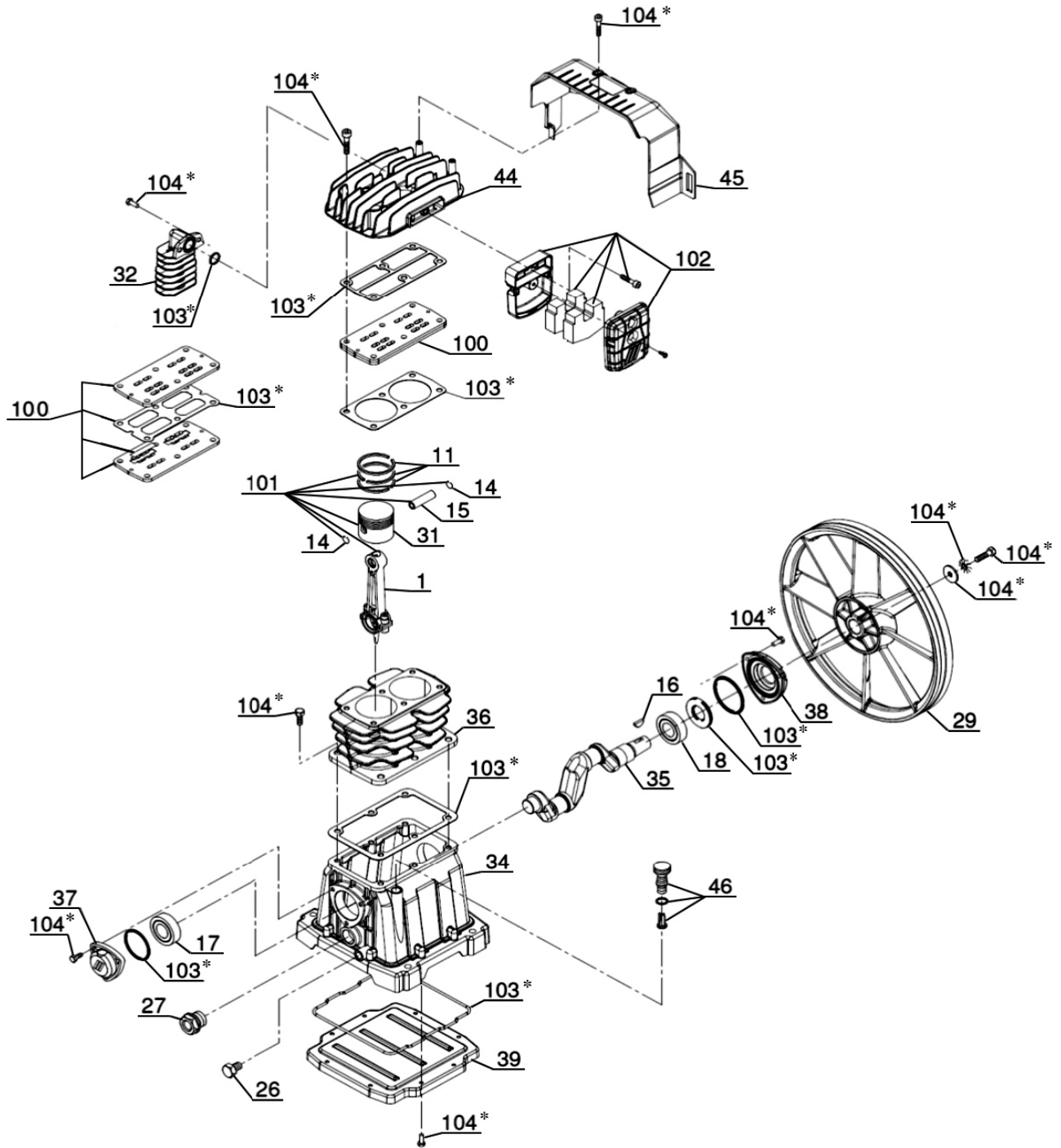
sales@sealey.co.uk



www.sealey.co.uk



Parts Information:  
Compressor 200ltr Belt Drive 3hp with  
Cast Cylinders  
Model No: SAC2203B.V2



**NOTE:** It is our policy to continually improve products and as such we reserve the right to alter data, specifications and component parts without prior notice.

**IMPORTANT:** No liability is accepted for incorrect use of product.

**WARRANTY:** Guarantee is 12 months from purchase date, proof of which will be required for any claim.

Sealey Group, Kempson Way, Suffolk Business Park, Bury St Edmunds, Suffolk. IP32 7AR



01284 757500



01284 703534



sales@sealey.co.uk



www.sealey.co.uk



Parts Information:  
**Compressor 200ltr Belt Drive 3hp with  
Cast Cylinders**  
**Model No: SAC2203B.V2**

Item	Part No.	Description
1	SAC9105450240	CON-ROD
11	SAC4080070000	PISTON RING SET
14	SAC7041410000	RING
15	SAC7050110000	PISTON PIN (15x55)
16	SAC7051510000	KEY (5x7.5)
17	B/6205	BEARING 6205
18	B/6206	BEARING 6206
26	SAC7090090000	PLUG 1/4"
27	SAC7180060000	OIL SIGHT GLASS
29	SAC7201010000	FLYWHEEL
31	SAC7220090000	PISTON
32	SAC9100270270	AFTERCOOLER
34	SAC9105450010	CRANKCASE
35	SAC9105450250	CRANKSHAFT

Item	Part No.	Description
36	SAC9105450060	CYLINDER
37	SAC9105450070	FRONT COVER
38	SAC9105450080	REAR COVER
39	SAC9105450090	BOTTOM COVER
44	SAC9105450180	HEAD
45	SAC7153140000	COVER
46	SAC9700001377	VENT PLUG
100	SAC4231260000	VALVE PLATE KIT (2 PLATES & COPPER GASKE
101	SAC4291070000	PISTON KIT
102	SAC4250130000	INTAKE FILTER KIT
103	SAC4081990000	KIT OF ACCESSORIES (SQUARE GREEN RECTANG
104	SAC4080480000	SCREW KIT

**NOTE:** It is our policy to continually improve products and as such we reserve the right to alter data, specifications and component parts without prior notice.

**IMPORTANT:** No liability is accepted for incorrect use of product.

**WARRANTY:** Guarantee is 12 months from purchase date, proof of which will be required for any claim.

**Sealey Group**, Kempson Way, Suffolk Business Park, Bury St Edmunds, Suffolk. IP32 7AR



01284 757500



01284 703534



sales@sealey.co.uk



www.sealey.co.uk