



Connection 3p horizontal/vertical

Part no. IZMX-THV163-1
Article no. 183970
Catalog No. 65A2606G01

Delivery programme

| | | | |
|---------------|-------|---|--|
| Product range | | | Accessories |
| Accessories | | | Main terminal kits |
| Accessories | | | Horizontal and vertical connections |
| | | | This connection kit comes with T-shaped adapters for the main terminals; these adapters can be used either as horizontal or vertical connectors. Each set contains the connections for top and bottom. 3 pole = 6 off; 4 pole = 8 off Rear universal connection for withdrawable unit. |
| Rated current | I_n | A | 630 - 1600 |
| Pole | | | 3 |
| For use with | | | IZMX163... INX163... |

Design verification as per IEC/EN 61439

| | | | |
|--|--|----|-----|
| Technical data for design verification | | | |
| Operating ambient temperature min. | | °C | -25 |
| Operating ambient temperature max. | | °C | 70 |

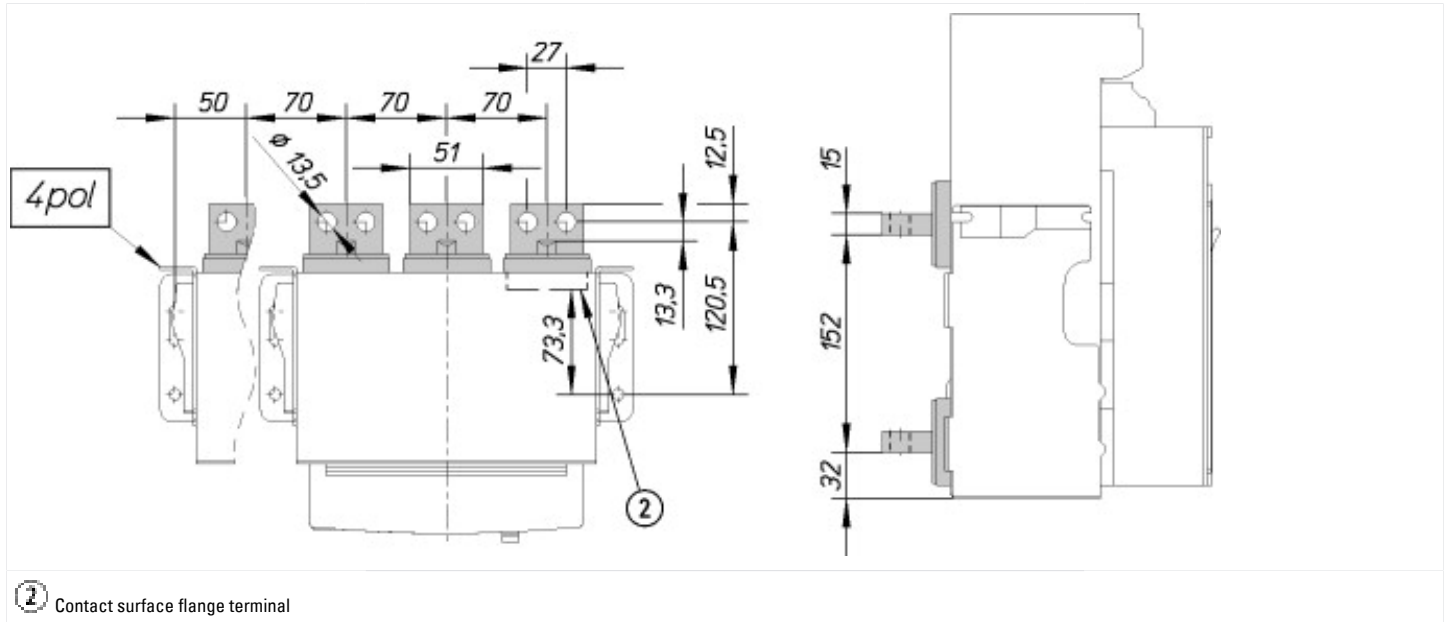
Technical data ETIM 6.0

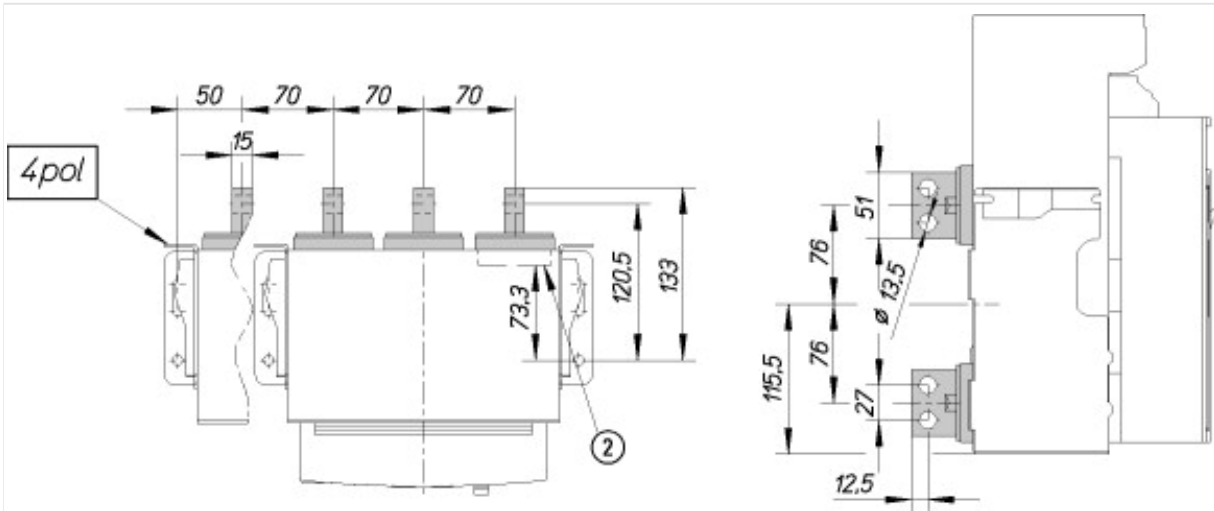
Low-voltage industrial components (EG000017) / Connection vane/phase spreader (EC002019)

Electric engineering, automation, process control engineering / Low-voltage switch technology / Component for low-voltage switching technology / Connection vane/phase spreader (ec1@ss8.1-27-37-13-05 [ACN990009])

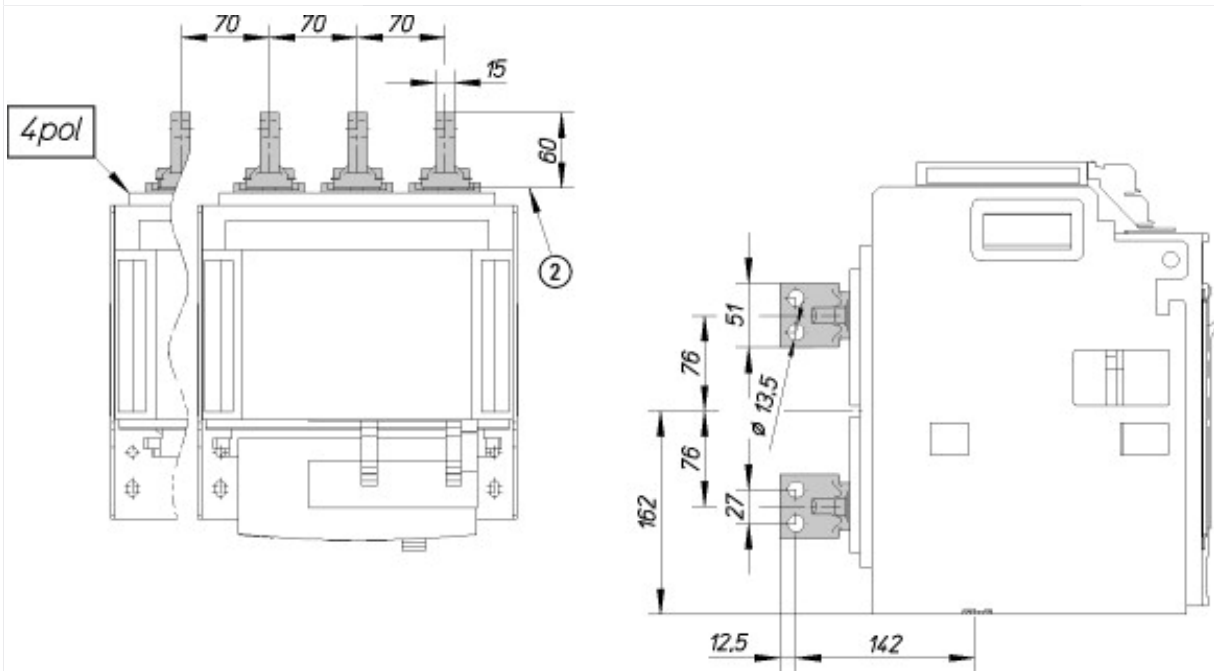
Suitable for number of poles 3

Dimensions

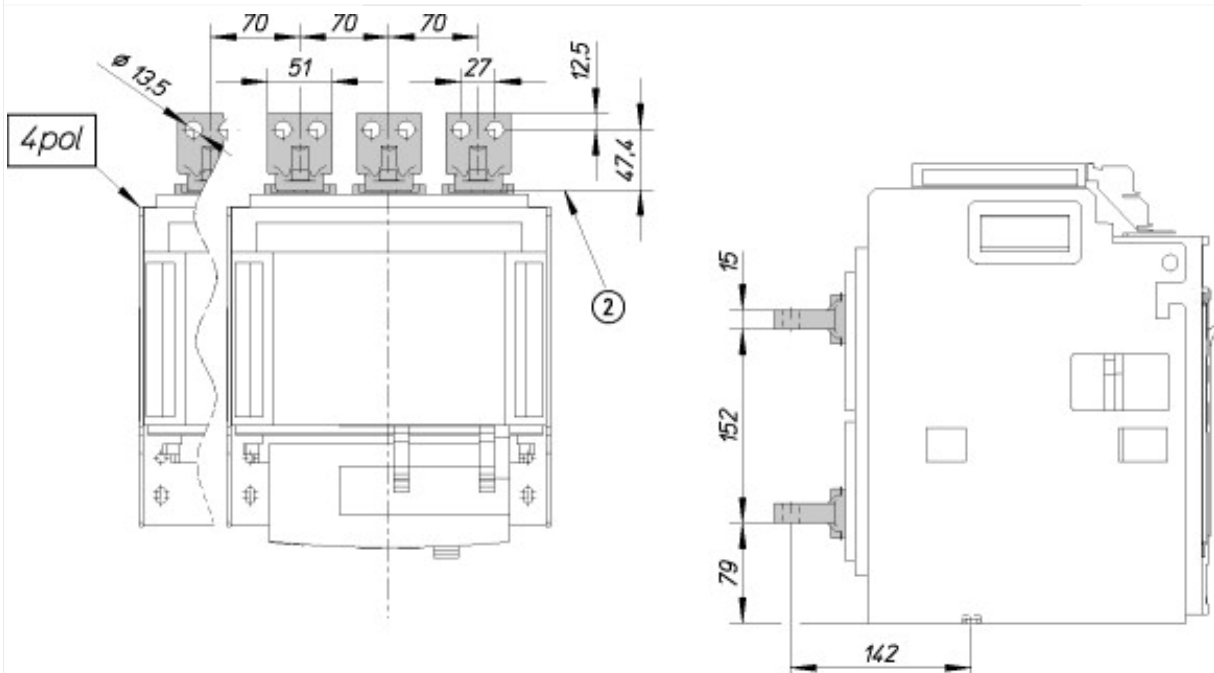




② Contact surface flange terminal



② Contact surface flange terminal



② Contact surface flange terminal

