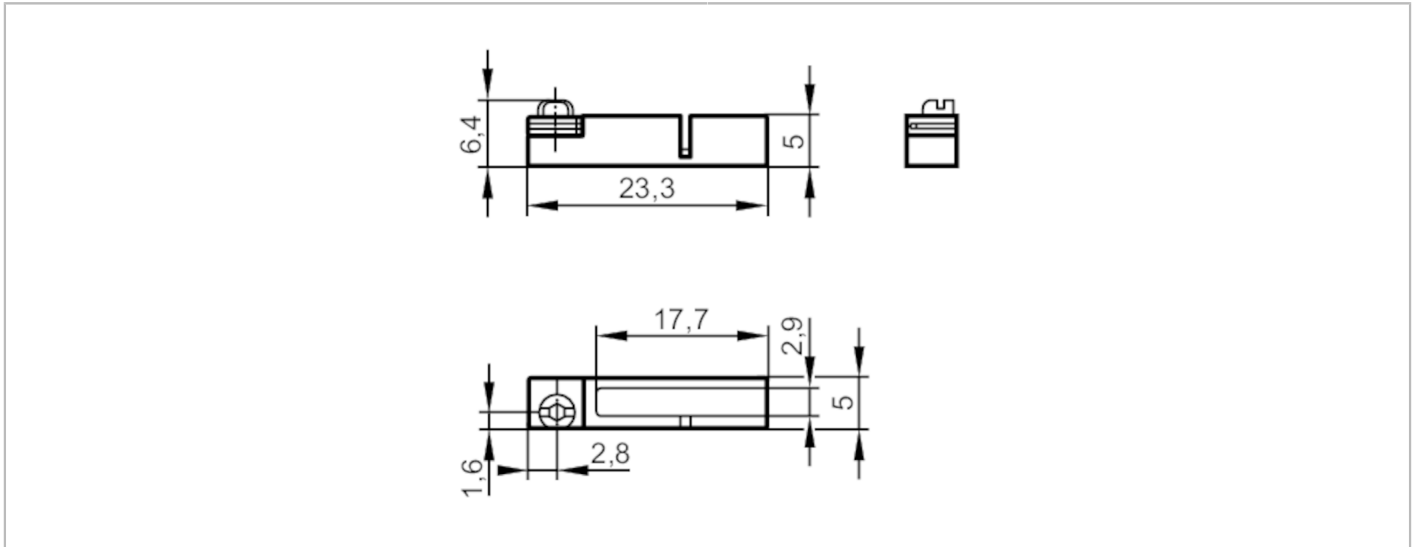


E11914



T-slot adapter for C-slot cylinder sensor

ADAPT C-SLOT IN T-SLOT SHORT



Application	
Design	for types, for types MKC (C-slot cylinder sensor) for installation in T-slot cylinders, MKC
Mechanical data	
Weight [g]	6.8
Type of mounting	fixing: Screw with combined slot / hexagon socket head 2.5
Dimensions [mm]	6.4 x 23.3 x 5
Materials	diecast zinc; Fixing element: stainless steel
Remarks	
Pack quantity	1 pcs.