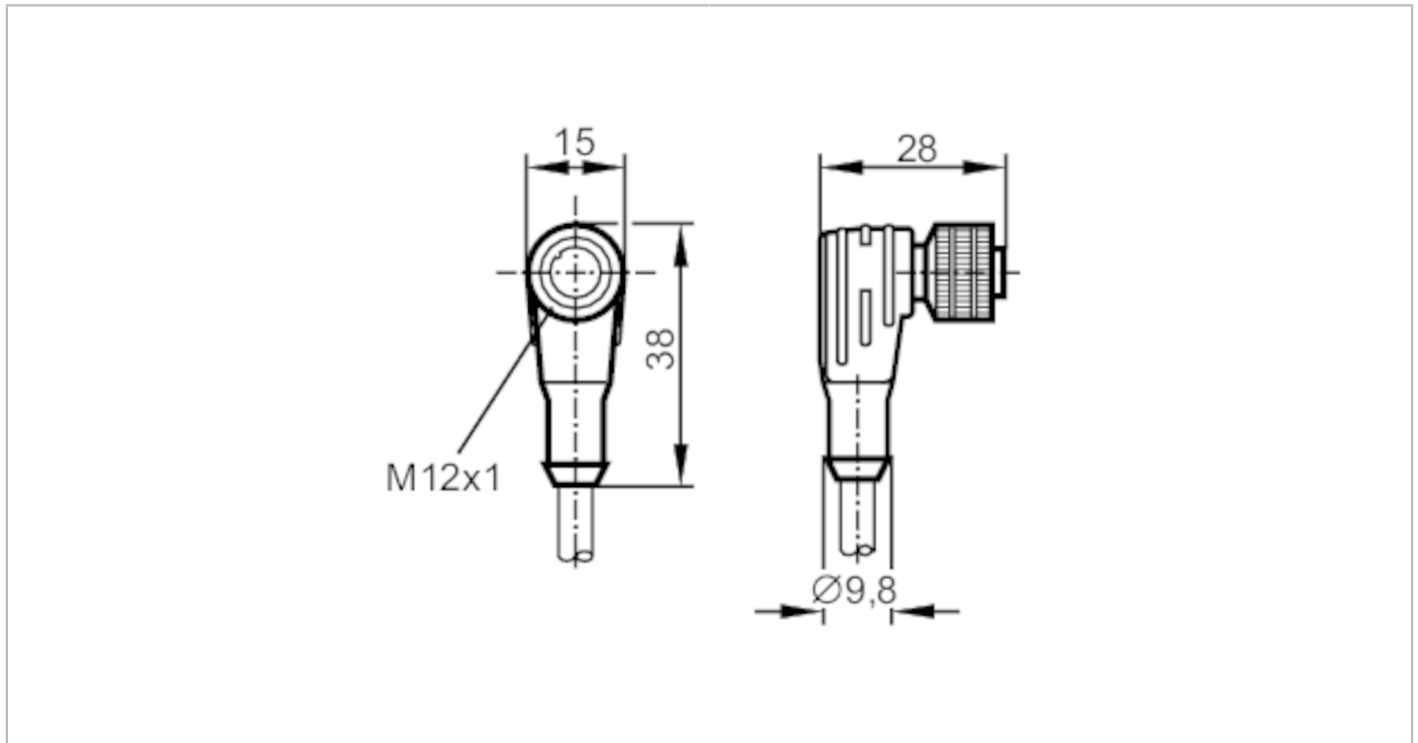


E12339



Connecting cable with socket

ADOAH040MSS0005C04



Application	
Special feature	Free from silicone; Halogen-free; Gold-plated contacts; Screened cable; Drag chain suitability
Free from silicone	yes
Electrical data	
Operating voltage [V]	< 50 AC / < 60 DC
Protection class	III
Max. current load total [A]	4
Operating conditions	
Ambient temperature [°C]	-25...85
Note on ambient temperature	21 days: -25...120 °C
Protection	IP 67
Mechanical data	
Weight [g]	271
Dimensions [mm]	28 x 15 x 38
Materials	TPU
Material nut	diecast zinc
Drag chain suitability	yes
Drag chain suitability	bending radius min. 10 x cable diameter
Remarks	
Pack quantity	1 pcs.

E12339



Connecting cable with socket

ADOAH040MSS0005C04

Electrical connection

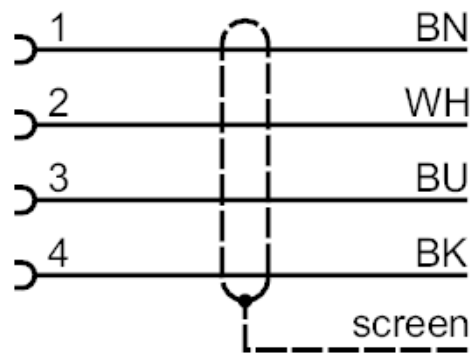
Cable: 5 m, PUR, Halogen-free, black, Ø 5 mm, shielded; 4 x 0.34 mm² (42 x Ø 0.1 mm)

Electrical connection - socket

Connector: 1 x M12, angled; Moulded body: TPU; Locking: diecast zinc; Contacts: gold-plated; Tightening torque: 0.7...0.9 Nm; Shielded connection cable: screen not connected



Connection



Core colours :

BK =	black
BN =	brown
BU =	blue
WH =	white