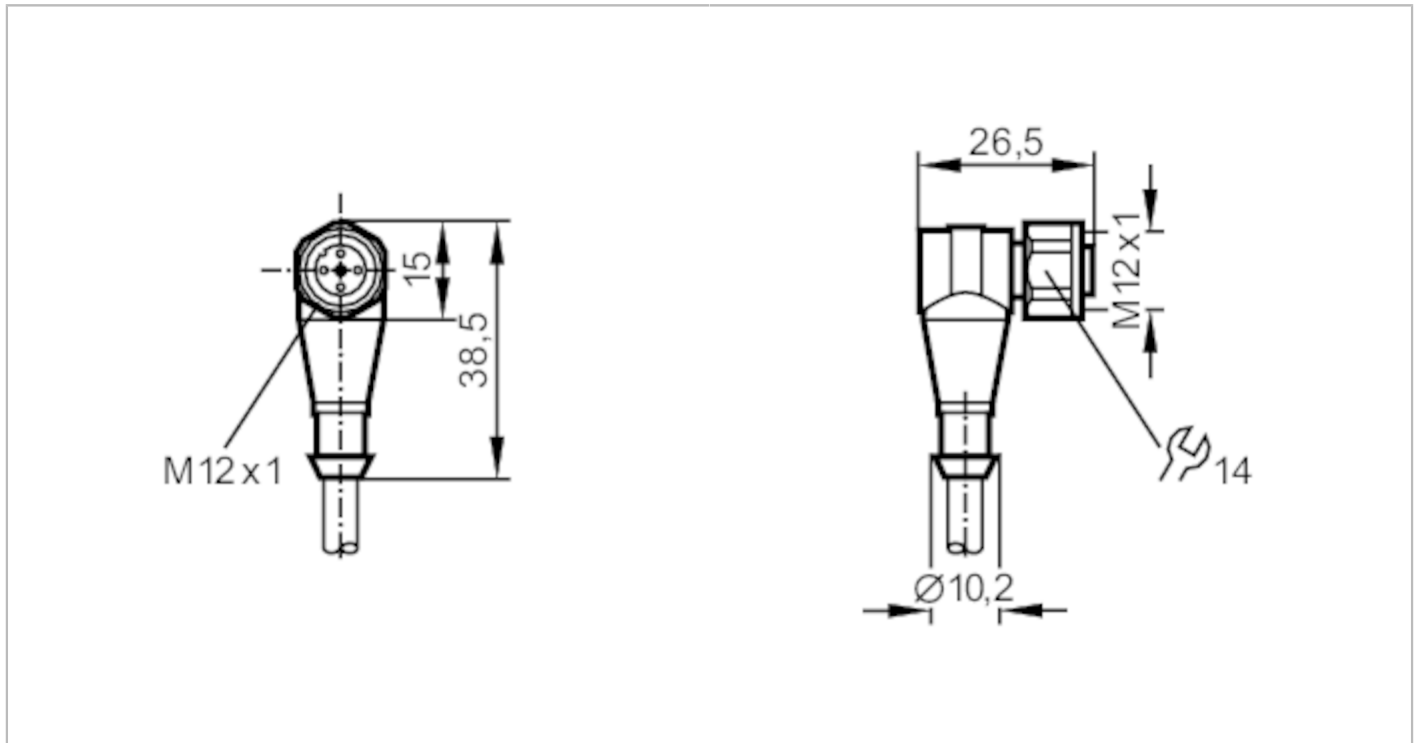


E12343



Connecting cable with socket

ADOAH080VAS0025E08



Application	
Special feature	Free from silicone; Gold-plated contacts
Free from silicone	yes
Electrical data	
Operating voltage [V]	< 30 AC / < 36 DC
Max. current load total [A]	2
Operating conditions	
Ambient temperature [°C]	-25...100
Protection	IP 68; IP 69K
Mechanical data	
Weight [g]	1559
Dimensions [mm]	26.5 x 15 x 38.5
Materials	PVC
Material nut	stainless steel (1.4404 / 316L)
Remarks	
Notes	For 8-pole sockets the core colours are not standardised.; Please note the wiring of the sensor and the sockets (see data sheet).
Pack quantity	1 pcs.
Electrical connection	
Cable: 25 m, PVC, orange, Ø 5.9 mm; 8 x 0.25 mm ² (32 x Ø 0.1 mm)	
Electrical connection - socket	
Connector: 1 x M12, angled; Moulded body: PVC; Locking: stainless steel (1.4404 / 316L); Contacts: gold-plated; Tightening torque: 0.7...0.9 Nm	

E12343



Connecting cable with socket

ADOAH080VAS0025E08



Connection

1	BN
2	WH
3	BU
4	BK
5	GY
6	PK
7	VT
8	OG

colours to DIN EN
60947-5-2

Core colours :

BK =	black
BN =	brown
BU =	blue
GY =	grey
PK =	pink
OG =	orange
VT =	lilac
WH =	white