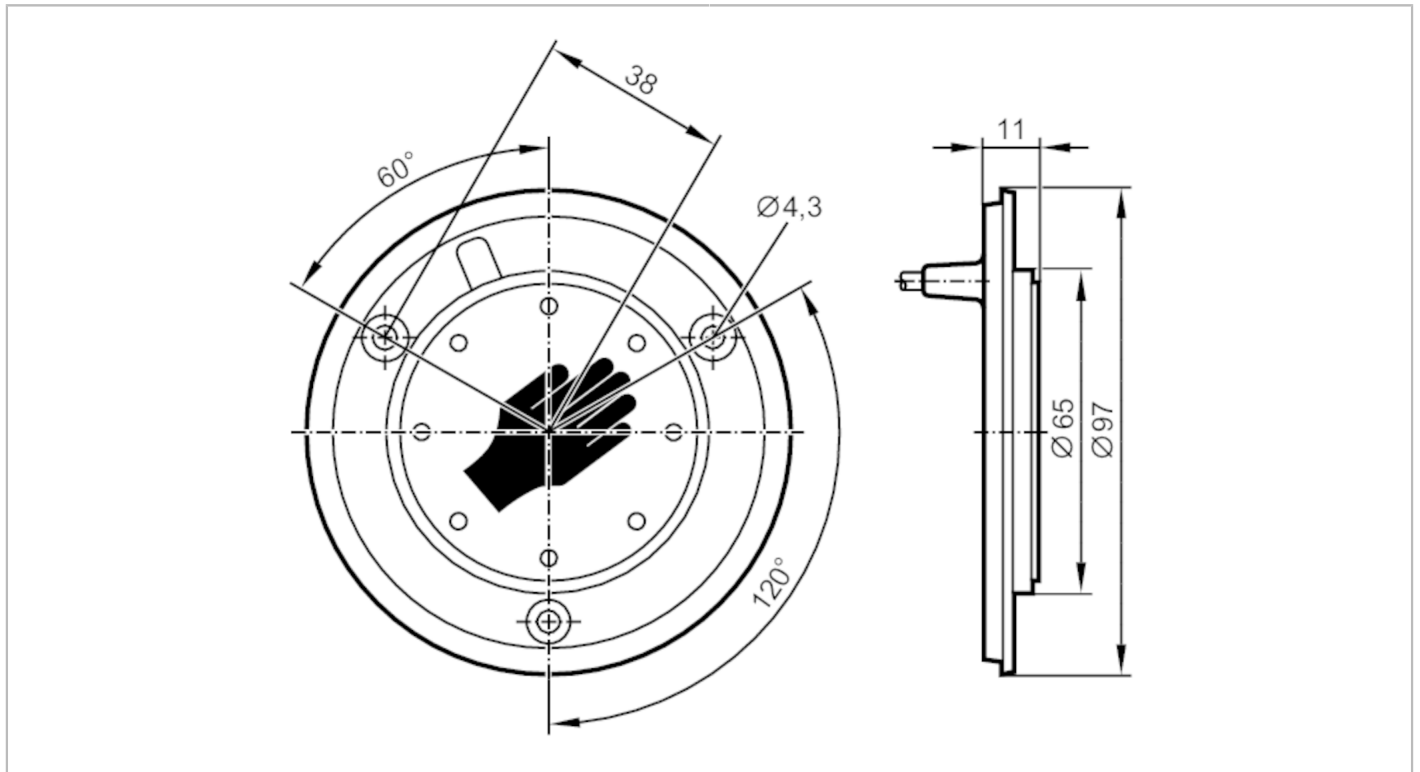


KT5020



Capacitive touch sensor

KTRDHOKGRBPKG/AM/US/0,3M



Product characteristics

Electrical design		PNP
Output function		normally open
Dimensions	[mm]	Ø 96.9 / L = 11

Application

Operating principle		dynamic
---------------------	--	---------

Electrical data

Operating voltage	[V]	12...30 DC
Current consumption	[mA]	30
Protection class		III
Reverse polarity protection		yes
Max. power-on delay time	[ms]	500

Outputs

Electrical design		PNP
Output function		normally open
Permanent current rating of switching output DC	[mA]	200
Short-circuit protection		yes
Overload protection		yes
Length of output signal	[ms]	300

Response times

Response time	[ms]	35
---------------	------	----

KT5020



Capacitive touch sensor

KTRDHOKGRBPKG/AM/US/0,3M

Operating conditions

Ambient temperature	[°C]	-40...85
Protection		IP 67; IP 69K; (on the front)

Mechanical data

Weight	[g]	136.5
Dimensions	[mm]	Ø 96.9 / L = 11
Materials		active face: PA Grilamid TR 90UV transparent; housing: PC/ABS black

Displays / operating elements

Display	switching status	8 x LED, red
	function	8 x LED, green can be activated via PIN 2

Accessories

Accessories (optional)	surround in different colours
------------------------	-------------------------------

Remarks

Pack quantity	1 pcs.
---------------	--------

Electrical connection

Cable: 0.3 m, PUR

Electrical connection - plug

Connector: 1 x M12



Connection

