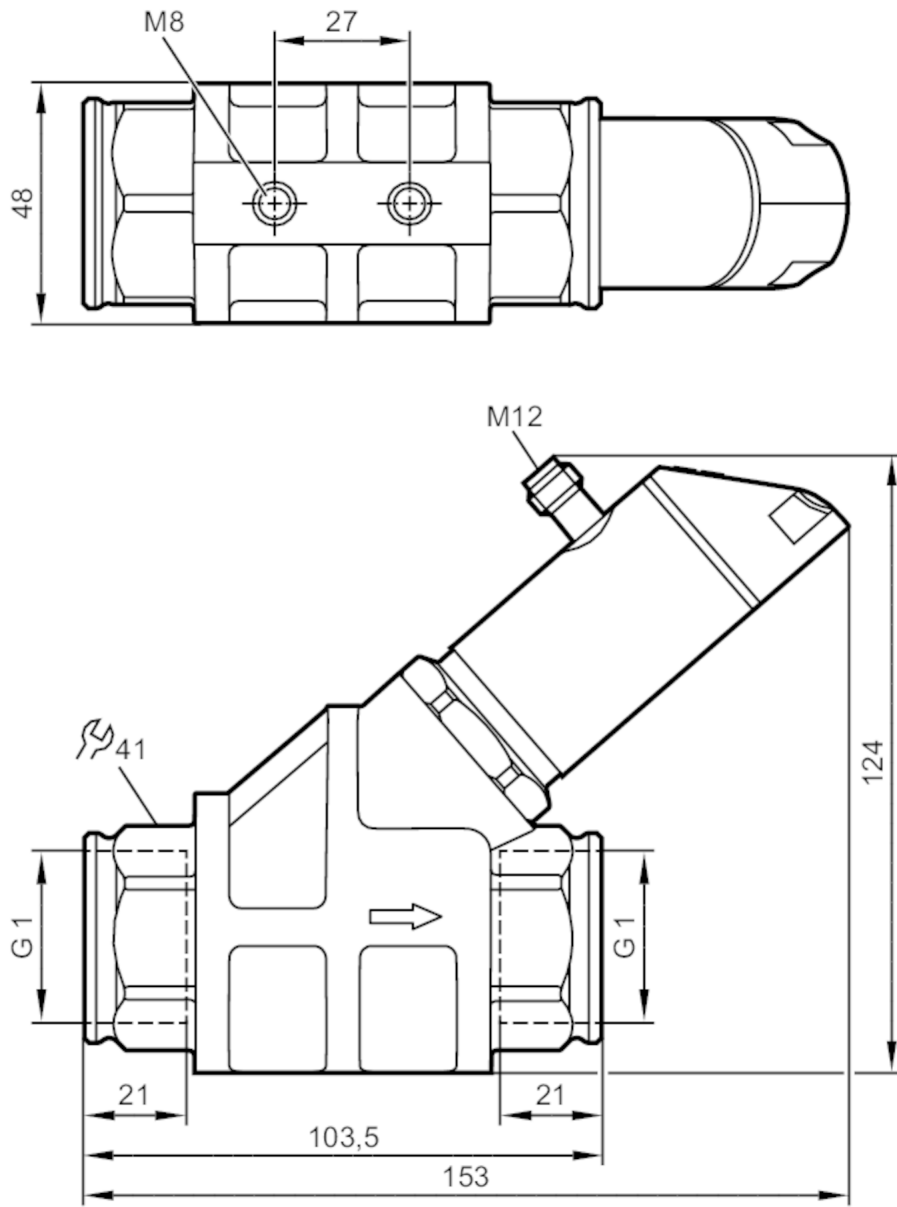


SB3246



Flow meter with integrated backflow prevention and display

SBG11KL0FRKG



Product characteristics				
Measuring range	2...100 l/min	0.12...6 m ³ /h	32...1586 gph	0.55...26.4 gpm
Process connection	threaded connection G 1 internal thread			
Application				
Special feature	Gold-plated contacts			
Media	Liquids; oil			
Note on media	oil with viscosity: 68 mm ² /s (40 °C)			
Medium temperature [°C]	-10...100			
Pressure rating [bar]	100			
Note on pressure rating	at medium temperature >70°C: 80			



Flow meter with integrated backflow prevention and display

SBG11KL0FRKG

Electrical data	
Operating voltage [V]	18...30 DC; (according to EN 50178 SELV/PELV)
Current consumption [mA]	< 50
Protection class	III
Reverse polarity protection	yes
Power-on delay time [s]	< 3

Outputs	
Total number of outputs	2
Output signal	switching signal; analogue signal; frequency signal; IO-Link
Output function	normally open / normally closed; (parameterisable)
Max. voltage drop switching output DC [V]	2
Max. current load per output [mA]	150; (200: ...60 °C; Ambient temperature; 250: ...40 °C; Ambient temperature)
Analogue current output [mA]	4...20
Max. load [Ω]	500
Short-circuit protection	yes
Overload protection	yes
Frequency of the output [Hz]	0...10000

Measuring/setting range				
Measuring range	2...100 l/min	0.12...6 m³/h	32...1586 gph	0.55...26.4 gpm
Display range	0...120 l/min	0...7.2 m³/h	0...1902 gph	0...31.7 gpm
Resolution	0.1 l/min	0.01 m³/h	1 gph	0.01 gpm
Set point SP	0.7...100 l/min	0.04...6 m³/h	10...1586 gph	0.15...26.4 gpm
Reset point rP	0...99.3 l/min	0...5.96 m³/h	0...1574 gph	0...26.25 gpm
Frequency end point, FEP	6.7...100 l/min	0.4...6 m³/h	106...1586 gph	1.75...26.4 gpm
In steps of	0.1 l/min	0.01 m³/h	2 gph	0.05 gpm
Frequency at the end point FRP [Hz]	10...10000			
In steps of [Hz]	10			
Measuring dynamics	1:50			
In steps of	10 Hz			

Temperature monitoring		
Measuring range	-10...100 °C	14...212 °F
Display range	-32...122 °C	-25.6...251.6 °F
Resolution	0.1 °C	0.1 °F
Set point SP	-9.3...100 °C	15.2...212 °F
Reset point rP	-10...99.3 °C	14...210.8 °F
In steps of	0.1 °C	0.2 °F
Frequency start point, FSP	-10...78 °C	14...172.4 °F
Frequency end point, FEP	12...100 °C	53.6...212 °F
Frequency at the end point FRP [Hz]	10...10000	



Flow meter with integrated backflow prevention and display

SBG11KL0FRKG

Accuracy / deviations		
Flow monitoring		
Accuracy (in the measuring range)		± 5 % MEW; (Q > 1 l/min; 20...70 °C Medium temperature)
Repeatability		± 1 % MEW
Temperature monitoring		
Temperature drift		0,029 °C / K
Accuracy	[K]	3 K (25°C; Q > 1 l/min)
Response times		
Flow monitoring		
Response time	[s]	0.01
Damping for the switching output dAP	[s]	0...5
In steps of	[s]	0.1
Damping for the analogue output dAA	[s]	0...5
In steps of	[s]	0.1
Temperature monitoring		
Dynamic response T05 / T09	[s]	T09 = 120 (Q > 1 l/min)
Software / programming		
Parameter setting options		hysteresis / window; normally open / normally closed; switching logic; current/frequency output; damping for the switching output / analogue output; display can be rotated and switched off; standard unit of measurement; process value colour; calibration factor
Interfaces		
Communication interface		IO-Link
Transmission type		COM2 (38,4 kBaud)
IO-Link revision		1.1
SDCI standard		IEC 61131-9 CDV
IO-Link device ID		1046 d / 0416 h
Profiles		Smart Sensor: Process Data Variable; Device Identification, Device Diagnosis
SIO mode		yes
Required master port type		A
Process data analogue		2
Process data binary		2
Min. process cycle time	[ms]	3.2
Operating conditions		
Ambient temperature	[°C]	0...60
Note on ambient temperature		medium temperature < 80 °C medium temperature < 100 °C: 0...40 °C
Storage temperature	[°C]	-15...80
Protection		IP 65; IP 67



Flow meter with integrated backflow prevention and display

SBG11KL0FRKG

Tests / approvals		
EMC	DIN EN 61000-6-2	
	DIN EN 61000-6-3	
Shock resistance	DIN EN 60068-2-27	20 g (11 ms)
Vibration resistance	DIN EN 60068-2-6	5 g (10...2000 Hz)
MTTF [years]	145	
UL approval	UL Approval no.	I006
Pressure Equipment Directive	Sound engineering practice	

Mechanical data		
Weight [g]	1586	
Materials	stainless steel (1.4404 / 316L); PBT+PC-GF30; PBT-GF20; PC; brass chemically nickel-plated	
Materials (wetted parts)	stainless steel (1.4401 / 316); stainless steel (1.4404 / 316L); brass (2.0371); brass chemically nickel-plated; PPS; O-ring: FKM	
Process connection	threaded connection G 1 internal thread	
Switching cycles mechanical	10 million	

Displays / operating elements		
Display	Display unit	6 x LED, green
	switching status	2 x LED, yellow
	measured values	alphanumeric display, red/green alternating indication 4-digit
	programming	alphanumeric display, 4-digit

Remarks		
Remarks	Recommendation: use a 200-micron filter.	
	All data refer to oil with the following nominal viscosity:	
	68 mm ² /s, 40 °C	
	MW = measured value	
Pack quantity	MEW = Final value of the measuring range	
	1 pcs.	

Electrical connection

Connector: 1 x M12; Contacts: gold-plated





Flow meter with integrated backflow prevention and display

SBG11KL0FRKG

Connection



OUT1:

- switching output volumetric flow quantity monitoring
- switching output Temperature monitoring
- frequency output volumetric flow quantity monitoring
- frequency output Temperature monitoring
- IO-Link

OUT2:

- switching output volumetric flow quantity monitoring
- switching output Temperature monitoring
- analogue output volumetric flow quantity monitoring
- analogue output Temperature monitoring

colours to DIN EN 60947-5-2

Core colours :

BK =	black
BN =	brown
BU =	blue
WH =	white

SB3246



Flow meter with integrated backflow prevention and display

SBG11KL0FRKG

Diagrams and graphs

