



DIGITAL MODULE; 4 INPUTS AND 2 RELAY OUTPUTS; INPUT VOLTAGE AC/DC 110-240V
MONOSTABLE RELAY OUTPUTS; MAXIMUM 2 DIGITAL MODULES PER BASIC UNIT 2

| | | |
|---------------------|--|-----------------|
| product brand name | | SIRIUS |
| Product designation | | digital modules |

General technical data:

| | | |
|---|---|--------------------------------|
| Insulation voltage | | |
| • Rated value | V | 300 |
| Vibration resistance | | 1-6 Hz / 15 mm; 6-500 Hz / 2 g |
| Surge voltage resistance Rated value | V | 4 000 |
| Protection class IP | | IP20 |
| Equipment marking | | |
| • acc. to DIN EN 61346-2 | | K |
| • acc. to DIN EN 81346-2 | | K |

Electromagnetic compatibility:

| | | |
|--|--|-------------------------------------|
| EMC emitted interference | | |
| • acc. to IEC 60947-1 | | class A |
| EMI immunity acc. to IEC 60947-1 | | corresponds to degree of severity 3 |
| Conducted interference due to burst acc. to IEC 61000-4-4 | | 1 kV |
| Conducted interference due to conductor-earth surge acc. to IEC 61000-4-5 | | 2 kV |
| Conducted interference due to conductor-conductor surge acc. to IEC 61000-4-5 | | 1 kV |
| Field-bound parasitic coupling acc. to IEC 61000-4-3 | | 10 V/m |

Inputs/ Outputs:

| | | |
|---------------------------------|--|---|
| Number of inputs | | 4 |
| Number of digital inputs | | 4 |

| | | |
|---|--|---|
| Number of analog inputs | | 0 |
| Number of outputs | | 2 |
| Number of outputs as contact-affected switching element | | 2 |
| Number of analog outputs | | 0 |
| Number of semiconductor outputs | | 0 |

Installation/ mounting/ dimensions:

| | | |
|-------------------|----|----------------------------|
| mounting position | | any |
| Mounting type | | screw and snap-on mounting |
| Height | mm | 92 |
| Width | mm | 22.5 |
| Depth | mm | 124 |

Connections/ Terminals:

| | | |
|---|--|----------------------|
| Type of electrical connection | | |
| <ul style="list-style-type: none"> for auxiliary and control current circuit | | screw-type terminals |

Ambient conditions:

| | | |
|--|----|-------------|
| Installation altitude at height above sea level maximum | m | 4 000 |
| Ambient temperature | | |
| <ul style="list-style-type: none"> during operation | °C | -25 ... +60 |
| <ul style="list-style-type: none"> during storage | °C | -40 ... +80 |
| <ul style="list-style-type: none"> during transport | °C | -40 ... +80 |
| Relative humidity during operation | % | 5 ... 95 |

Safety related data:

| | | |
|--|--|-------------|
| Protection against electrical shock | | finger-safe |
|--|--|-------------|

Control circuit/ Control:

| | | |
|--|----|-------------|
| Type of voltage of the control supply voltage | | AC/DC |
| Control supply voltage with AC | | |
| <ul style="list-style-type: none"> at 50 Hz Rated value | V | 110 ... 240 |
| <ul style="list-style-type: none"> at 60 Hz Rated value | V | 110 ... 240 |
| Control supply voltage for DC | | |
| <ul style="list-style-type: none"> Rated value | V | 110 ... 240 |
| <ul style="list-style-type: none"> Rated value | Hz | 50 |
| Control supply voltage frequency 2 Rated value | Hz | 60 |

Certificates/ approvals:

| | | |
|--------------------------|-----|--------------------------------|
| General Product Approval | EMC | For use in hazardous locations |
|--------------------------|-----|--------------------------------|



| | | |
|--------------------------------|-------------------|-------------------|
| For use in hazardous locations | Test Certificates | Shipping Approval |
|--------------------------------|-------------------|-------------------|

[Explosion Protection Certificate](#)

[Type Test Certificates/Test Report](#)

[Special Test Certificate](#)



| |
|-------|
| other |
|-------|

[Declaration of Conformity](#)

[Confirmation](#)

[PROFINET-Certification](#)



Profibus

[PROFISafe-Certification](#)

Further information

Information- and Downloadcenter (Catalogs, Brochures,...)

<http://www.siemens.com/industrial-controls/catalogs>

Industry Mall (Online ordering system)

<http://www.siemens.com/industrymall>

Cax online generator

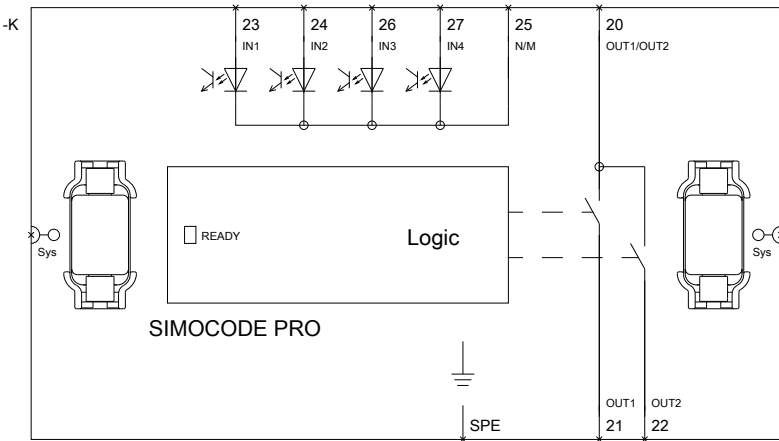
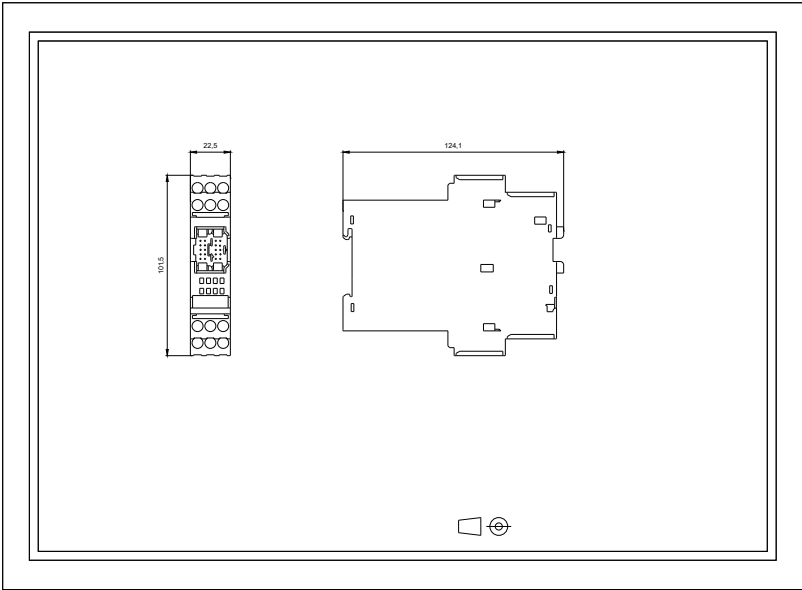
<http://support.automation.siemens.com/WW/CAXorder/default.aspx?lang=en&mfb=3UF73001AU000>

Service&Support (Manuals, Certificates, Characteristics, FAQs,...)

<http://support.automation.siemens.com/WW/view/en/3UF73001AU000/all>

Image database (product images, 2D dimension drawings, 3D models, device circuit diagrams, EPLAN macros, ...)

http://www.automation.siemens.com/bilddb/cax_de.aspx?mfb=3UF73001AU000&lang=en



last modified:

09.03.2015