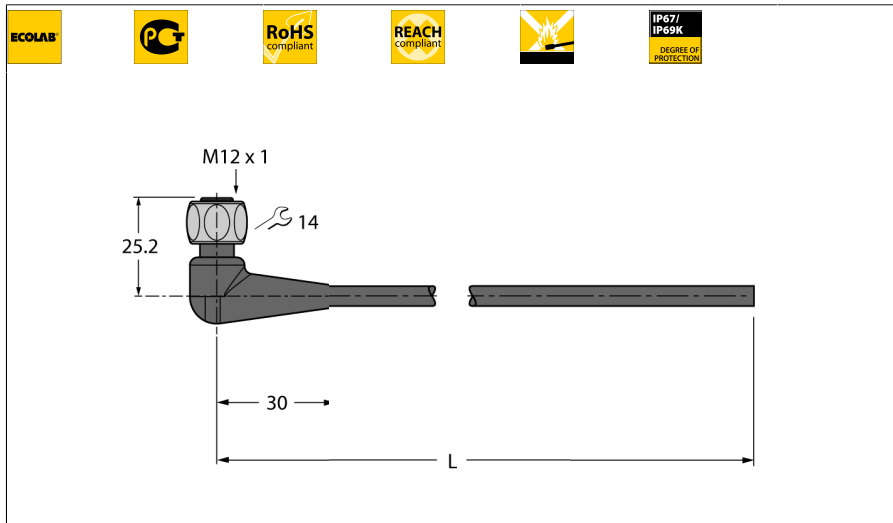


Food & Beverage Hygienic, PVC Connection Cable WKH4.4-10/TFE

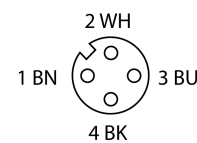
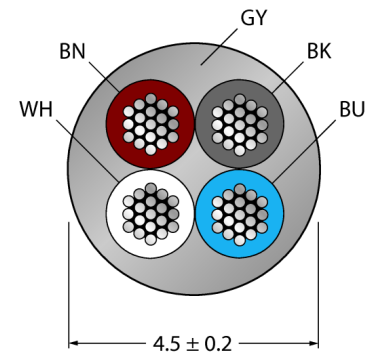
TURCK

Industrial
Automation

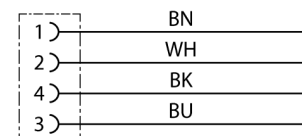


- M12 female connector, angled, 4-pin
- Stainless steel coupling nut/screw
- Sheath material: PVC
- Sheath color: gray RAL 7040
- Resistant to acids and alkalis
- Resistant to oils and chemicals
- Flame-retardant acc. to DIN EN 60332 1-2, DIN EN 60332 2-2, VDE 0482 332-1-2, VDE 0482 332-2-2
- Approvals: cULus, Gost, Ecolab
- RoHS and REACH compliant
- Protection classes IP67, IP69K
- Cable length: 10 m

Cable Cross-section



Circuit Diagram



| | |
|---|---|
| Type designation | WKH4.4-10/TFE |
| Ident no. | 6934482 |
| Connector A side | Female connector, M12 ⌀ 1, Angled |
| Number of pins | 4 |
| Contacts | Brass, CuZn, Gold-plated |
| Contact carriers | Plastic, PP, Gray |
| Grip | Plastic, PP, Gray |
| Coupling nut/screw | Stainless steel, V4A |
| Seal | Plastic, FPM/FKM |
| Protection class | IP67, IP69K, A + B side screwed together |
| Mechanical lifespan | > 100 Mating cycles |
| Pollution degree | 3 |
| Tightening torque | 0.8 ... 1 Nm (observe max. torque of counter piece!) |
| General data | |
| Cable diameter | 4.5 ± 0.20mm |
| Cable length | 10 m |
| Cable quality | PVC |
| Cable color | Gray |
| Core insulation | PVC |
| Core colors | BN, WH, BU, BK |
| Core cross-section | 4x0.34mm ² |
| Arrangement of strands | 19x0.15 mm |
| Electrical features at +20 °C | |
| Current | 4 A |
| Rated voltage | 250 V |
| Test voltage | 1500 V |
| Mechanical and chemical properties | |
| Bending radius (stationary laying) | > 3 x Ø |
| Bending radius (flexible use) | > 10 x Ø |
| Ambient temperature | |
| Stationary | -25...+80°C |
| In motion | 0...+80°C |