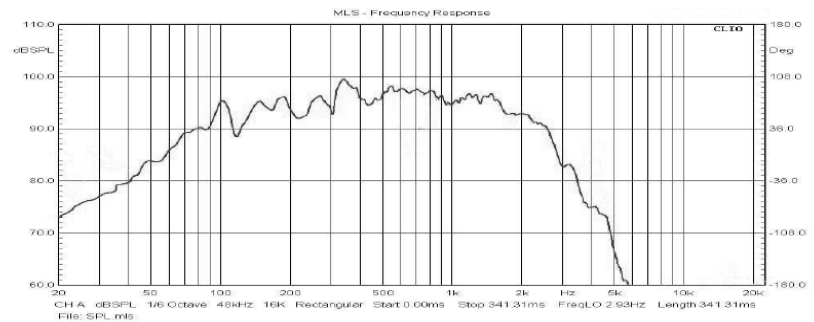
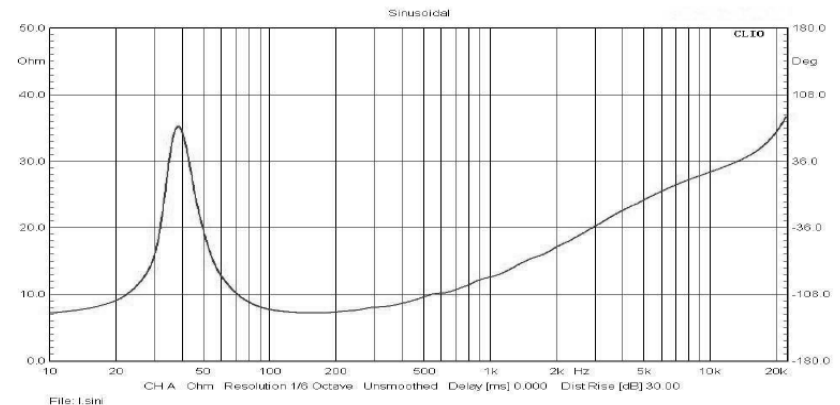
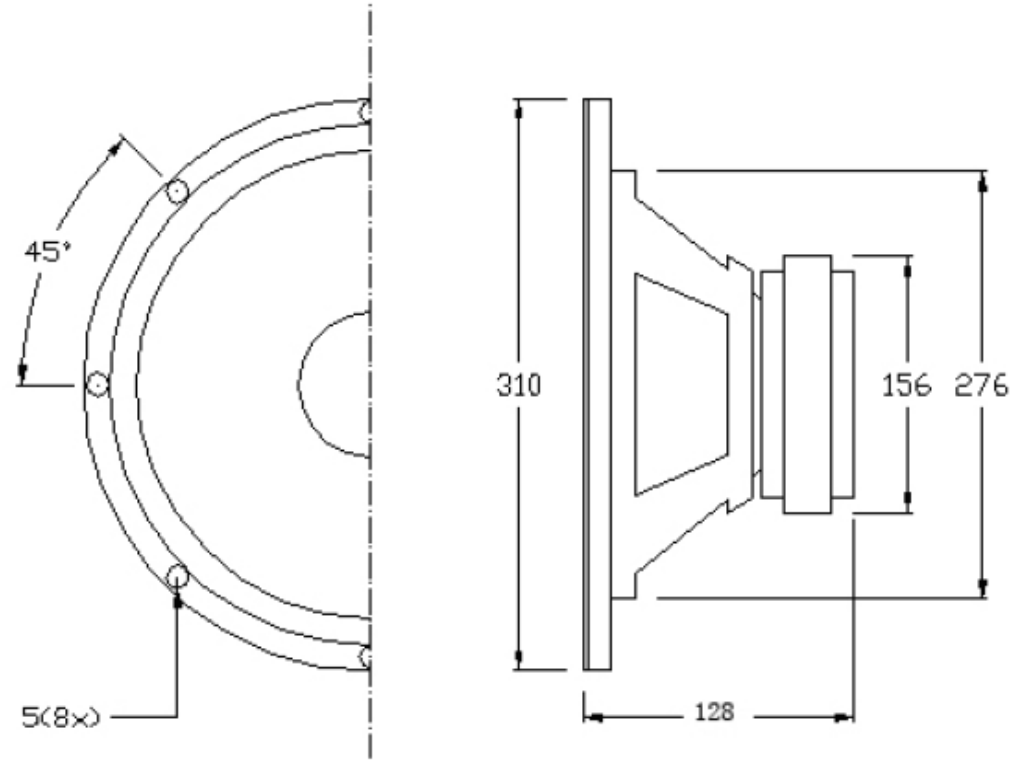


<b>Model Number:</b>	<b>55-2952</b>	
<b>GENERAL SPECIFICATIONS</b>		
Nominal Diameter:	12 inch	
Rated Impedance:	8 ohms	
Operating Bandwidth:	38Hz ~ 2.5KHz	
Power Handling Capacity:	175W RMS	
Sensitivity (1W/M):	97 dB	
Voice Coil Diameter:	2.5 inch	
<b>THIELE-SMALL PARAMETER</b>		
Resonance Frequency	Fs:	38 Hz
DC Resistance	Re:	7.2 ohm
Mechanical Q Factor	Qms:	2.8
Electrical Q Factor	Qes:	0.385
Total Q Factor	Qts:	0.34
Equivalent Cas air load	Vas:	108.0 liters
Coil Inductance	Le:	0.923 mH
Efficiency Bandwidth Product	EBP	98.70
Voice Coil Over Hang	X-max	3.75mm
<b>PHYSICAL INFORMATION</b>		
Basket:	Stamped Steel	
Magnet Type:	50 OZ	
Cone Material:	None press paper	
Surround:	cloth	
Dust Cap:	paper	
Damper:	cloth	





ALL DIMENSIONS ARE IN MILLIMETERS