

XLR type Category 6A STP Coupler:



XLR type Category 6A STP Coupler (SGACDpmc)

This die-cast, ruggedised XLR style STP coupler is built to be used in challenging environments. Using the industry standard, XLR latch-locking mechanism, it offers a robust connection and at the same time comfortably performs to Category 6A. Easily mounted into suitable cut-outs, this high quality coupler offers the convenience of rapid connection and disconnection together with durability and reliability enabling hundreds of connections.

Features:

- Compliant with:
 - IEEE standard for PoE+ and 4PPoE IEEE 802.3
 - Standard for high performance shielded 8 way connectors IEC 60603-7-51
 - Category 6A standard for Balanced Twisted-Pair Components TIA-568.2-D
 - Standard for generic premise cabling to Class EA/Cat 6A ISO/IEC 11801-1
- Fully shielded, die-cast body offers a durable, sturdy design with outstanding performance in eliminating alien cross-talk
- Industry standard XLR latch-locking mechanism
- Please note: Not suitable for use with 6p4c (RJ11 type) or 6p6c (RJ12 type) plugs
- Not compatible with Neutrik male connector NE8MC6-MO and NKE6S* cables

Specifications:

- Net weight (including primary packaging): 43 g
- Dimensions: 32 x 30 x 40 mm

- Colour: Silver
- Materials:
 - Internal connector: Impact resistant, UV stabilised ABS+PC 94V0 plastic
 - Housing: Nickel-plated zinc alloy
 - Contact plating: 50µ"/1.27µm over contact area
- Operating temperature: -40°C to 66°C
- Plug insertion tested to over 750 times

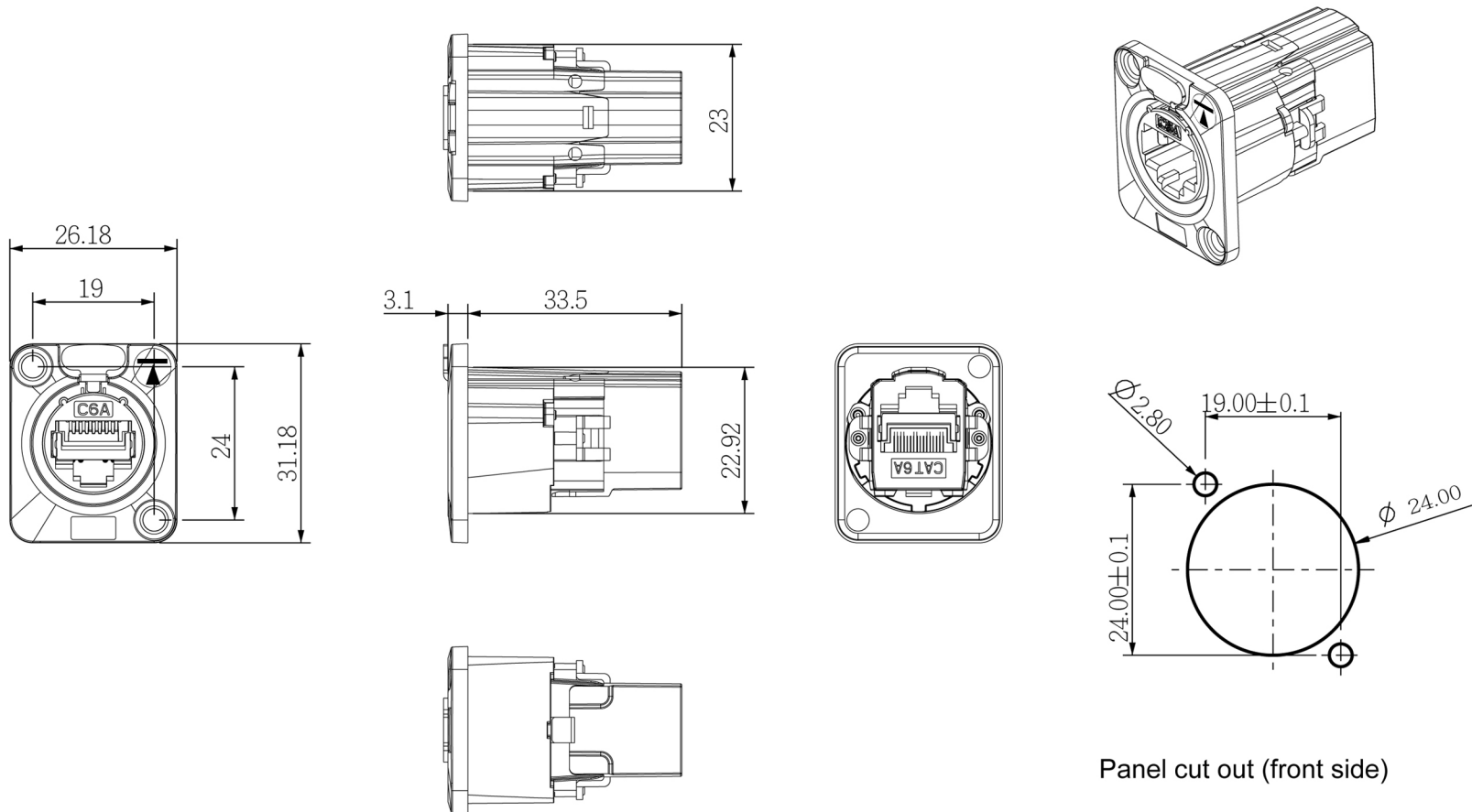
Packaging: Packed in individual polybags with instructions printed on bag, then in bags of 20

Commodity code: 85444920

EAN: 5055386510198

Country of Origin: China





Panel cut out (front side)

MECHANICAL

- (1) Materials: Impact-resistant, UV stabilized ABS+PC 94V0 plastic
- (2) Zn alloy+Nickel Plated