

## Precision stepped jaw

Accessories for art. no.: 28848 and 28862



### Application:

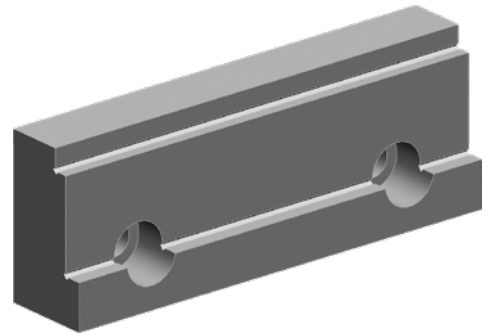
For screwing on to the fixed and moving jaw.

### Execution:

- Hardened and ground.

### Delivery:

1x precision stepped jaw



<b>Art. no.</b>	<b>28848 210</b>
<b>Brand</b>	ROEMHELD
<b>Manufacturer Part Number</b>	520820001
<b>Type</b>	Stepped jaw
<b>Jaw design</b>	With steps
<b>Jaws width</b>	100 mm
<b>Jaws thickness</b>	19 mm
<b>Jaws height</b>	35 mm
<b>Section, width</b>	4 mm
<b>Section, height</b>	29 mm
<b>Gross Weight</b>	0.400 kg
<b>Product Group</b>	283