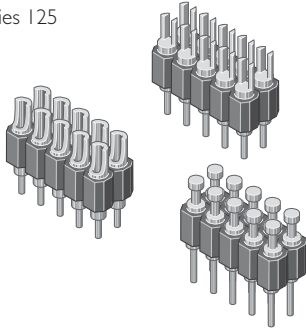


DIL SPECIAL CONTACTS

ID: 046

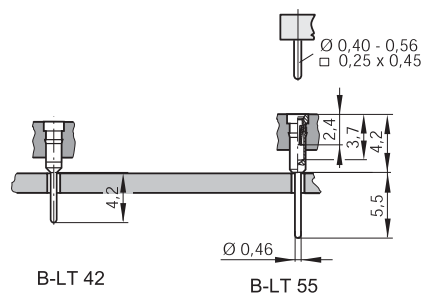
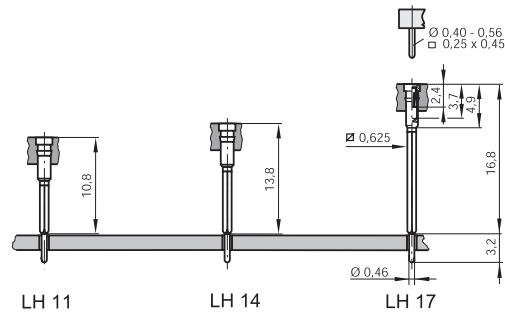
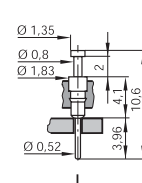
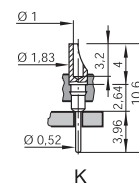
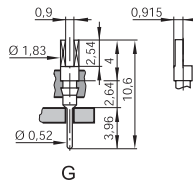
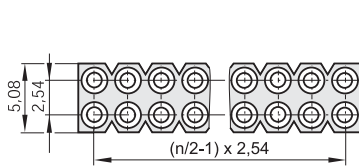
MSD special adaptor

Series 125



TECHNICAL DATA

Pitch	2,54 mm
Insulating Material	high temp. thermoplast UL94V-0
Contact Material	Brass
Rated Current	3 Amp.
Rated Voltage	100 V _{RMS} /150 V _{DC}
Breakdown Voltage	min. 1000 V _{RMS}
Operating Temperature	-40°C bis +105°C
Maximum Soldering Temperature	260°C for 10 seconds



All dimensions in mm.
Other dimensions upon request.

