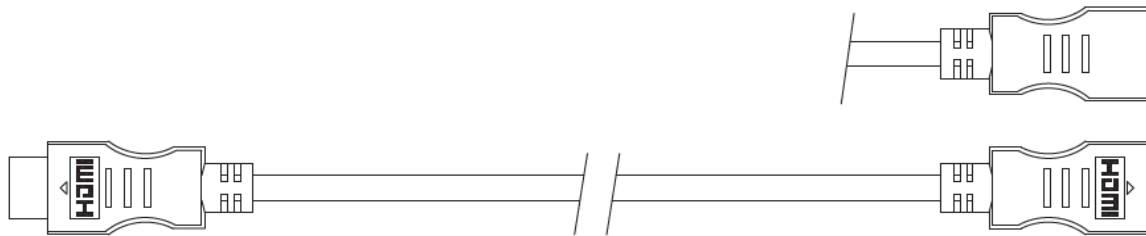


	REVISED	DR	APP

HDMI PLUG



HDMI JACK

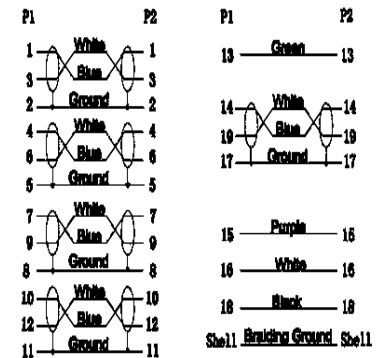


Note:
Cable must be 1.4 ATC Certified
Test Report must be confirmed by Technical Staff,

All HDMI Logos must be marked with Registered Trademark ®

Technical Specifications:
8,16 GBit/s (340 MHz × 8 bit × 3), 2160p/30
Hz - 4096x2160, PCM, Dolby Digital, DTS,
MPEG, DVD-Audio, SACD, Dolby Digital Plus,
TrueHD und dts-HD, 24 bit RGB/36 bit YUV,
Deep Color 30, 36 und 48 bit RGB/YUV,
xvYCC-Farbraum (IEC 61966-2-4), sYCC601,
Adobe RGB, AdobeYCC601, 4K-Auflösung,
3D, HDMI Ethernet Channel (HEC), Audio
Return Channel

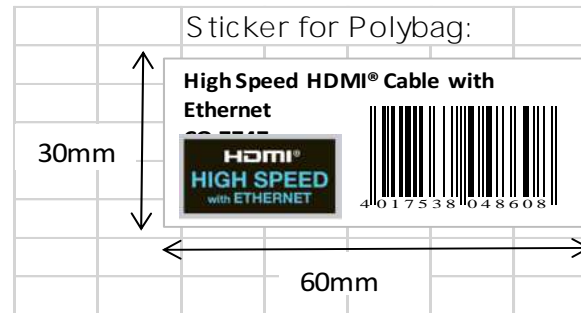
Connection Diagram



1 and 3 pair with golden alu foil shielded;
4 and 6 pair with blue alu foil shielded;
7 and 9 pair with green alu foil shielded;
10 and 12 pair with red alu foil shielded;
14 and 19 pair with silver alu foil shielded;



1	CONNECTORS	High Speed HDMI® Cable with Ethernet
2	MOLDING	HDMI A-Plug A-Jack, 19 PIN, Iron gold plated, Molded Plugs with HDMI Logo
3	CABLE	innerconductor 1 x 0,33mm BC, Drain wires & Electric 1x0,254mm CCS, 80 x 0,12mm Al, Alu Foil single 0,025mm, PVC - Black, OD = 7,3 mm
NO	PART NAME	



DESCRIPTION		HDMI EXTENTION HDMI PLUG (A) - HDMI JACK (A) AWG 28					
SIZE	A4	DATE	13.01.2016	CHECKED		TOL	
UNIT	MM	DRAWN		APPROVED			BS77479
CUSTOM TARIF NO.: 854442909000							

S-Conn Handels GmbH
Am Mühlberg 8
91477 Markt Bibart
Tel. 09162/ 98 93 8-0
Fax 09162/ 98 93 8-20
info@s-conn.de
www.s-conn.de