

1648384-1 ✓ ACTIVE

ELCON | ELCON Drawer

TE Internal #: 1648384-1

ELCON Drawer, Power Contacts, Contact, Operating Voltage 250 VAC, Gold, 12AWG Wire Size, 3mm² Wire Size, 6528.4CMA Wire Size, Wire & Cable, Crimp

[View on TE.com >](#)



Connectors > Power Connectors > Power Contacts



Power Contact Type: **Contact**

Operating Voltage: **250 VAC**

Contact Mating Area Plating Material: **Gold**

Wire Size: **3 mm²**

Features

Product Type Features

Power Contact Type	Contact
Connector & Contact Terminates To	Wire & Cable

Electrical Characteristics

Operating Voltage	250 VAC
-------------------	---------

Contact Features

Contact Mating Area Plating Material	Gold
Contact Current Rating (Max)	35 A
Contact Type	Socket
Contact Retention Within Housing	Without
Mating Pin Diameter	2.38 mm[.094 in]
Contact Base Material	Copper Alloy
Contact Mating Area Plating Material Thickness	.76 µm[29.8 µin]
Contact Mating Area Plating Material Finish	Bright
Wire Contact Termination Area Plating Material Thickness	.127 µm[5 µin]
Wire Contact Termination Area Plating Material	Gold



Wire Contact Termination Area Plating Material Finish	Bright
Contact Orientation	Straight
Contact Underplating Material	Nickel
Contact Underplating Material Thickness	1 µm[40 µin]
Contact Size	12

Termination Features

Termination Method to Wire & Cable	Crimp
------------------------------------	-------

Mechanical Attachment

Wire Insulation Support	Without
-------------------------	---------

Dimensions

Wire Size	6528.4 CMA
-----------	------------

Usage Conditions

Operating Temperature Range	-40 – 105 °C[-40 – 221 °F]
-----------------------------	----------------------------

Operation/Application

Circuit Application	Power
---------------------	-------

Industry Standards

Glow Wire Rating	Standard Part - Not Glow Wire
------------------	-------------------------------

Packaging Features

Packaging Method	Bag
Packaging Quantity	500

Product Compliance

For compliance documentation, visit the product page on [TE.com](https://www.te.com)>

EU RoHS Directive 2011/65/EU	Compliant with Exemptions
EU ELV Directive 2000/53/EC	Compliant with Exemptions
China RoHS 2 Directive MIIT Order No 32, 2016	Restricted Materials Above Threshold
EU REACH Regulation (EC) No. 1907/2006	Current ECHA Candidate List: JAN 2021 (211) Candidate List Declared Against: JAN 2021 (211) SVHC > Threshold: Pb (.6% in Component Part)

Article Safe Usage Statements:
Do not eat, drink or smoke when using this product. Wash thoroughly after handling. Recycle if possible and dispose of the article by following all applicable governmental regulations relevant to your geographic location.



Halogen Content	Low Halogen - Br, Cl, F, I < 900 ppm per homogenous material. Also BFR/CFR/PVC Free
Solder Process Capability	Not applicable for solder process capability

Product Compliance Disclaimer

This information is provided based on reasonable inquiry of our suppliers and represents our current actual knowledge based on the information they provided. This information is subject to change. The part numbers that TE has identified as EU RoHS compliant have a maximum concentration of 0.1% by weight in homogenous materials for lead, hexavalent chromium, mercury, PBB, PBDE, DBP, BBP, DEHP, DIBP, and 0.01% for cadmium, or qualify for an exemption to these limits as defined in the Annexes of Directive 2011/65/EU (RoHS2). Finished electrical and electronic equipment products will be CE marked as required by Directive 2011/65/EU. Components may not be CE marked. Additionally, the part numbers that TE has identified as EU ELV compliant have a maximum concentration of 0.1% by weight in homogenous materials for lead, hexavalent chromium, and mercury, and 0.01% for cadmium, or qualify for an exemption to these limits as defined in the Annexes of Directive 2000/53/EC (ELV). Regarding the REACH Regulation, the information TE provides on SVHC in articles for this part number is based on the latest European Chemicals Agency (ECHA) 'Guidance on requirements for substances in articles' posted at this URL: <https://echa.europa.eu/guidance-documents/guidance-on-reach>

Compatible Parts



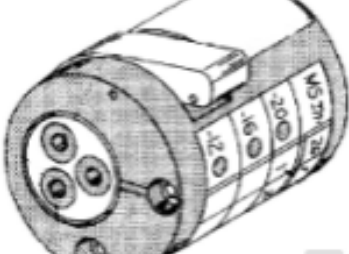
TE Part # 1650177-4
711-78-02109=CONTACT,PIN,#12 W



TE Part # 1650208-1
707-0143-02109=CONTACT,PIN,#12



TE Part # 1650226-1
707-40-02109=CONTACT,PIN,#20




TE Part # 601967-2
POSITIONER M22520/1-02

Also in the Series | ELCON Drawer



PCB Connector Mounting(1)

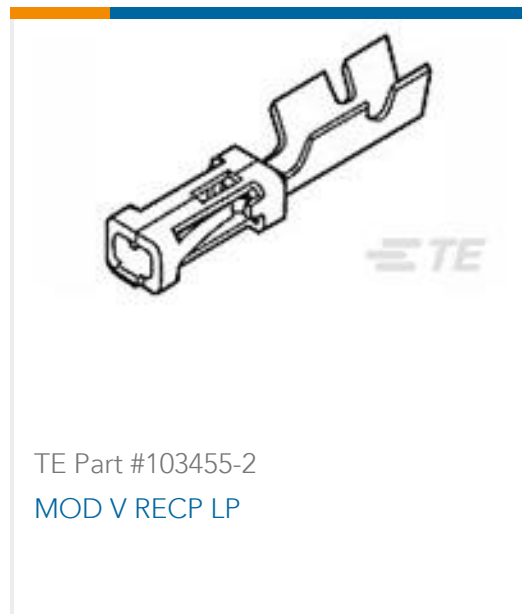
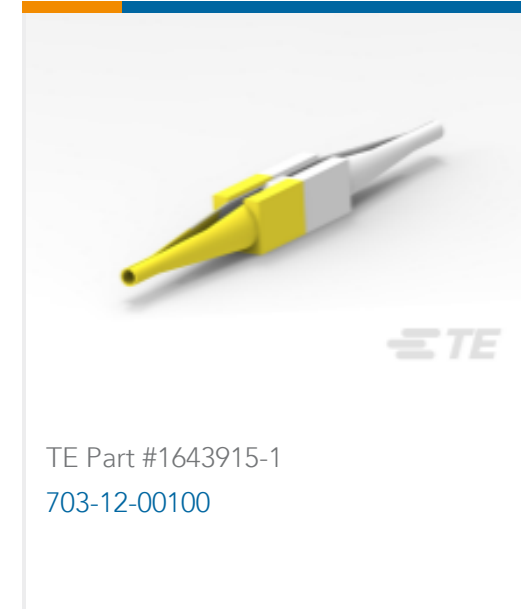


Power Contacts(37)



Rectangular Power Connectors(35)

Customers Also Bought



Documents

Product Drawings

[708-73-01109=SA CONTACT,SKT](#)

English

CAD Files

Customer View Model

[ENG_CVM_1648384-1_B.3d_igs.zip](#)

English

Customer View Model

[ENG_CVM_1648384-1_B.3d_stp.zip](#)

English

Customer View Model

[ENG_CVM_1648384-1_B.2d_dxf.zip](#)

English

3D PDF

English

By downloading the CAD file I accept and agree to the [Terms and Conditions](#) of use.

Datasheets & Catalog Pages



[POWER_CONNECTORS_CATALOG_SEC02_CABLE_MOUNTED](#)

English

[3-1773463-3_FORGE_DRAWER_CONNECTORS](#)

English

[AMP & ELCON Power Connector Layout Forms Datasheet 6-1773444-7](#)

English

[1-1773875-1_FORGE_DRAWER_CONNECTORS_CN](#)

Product Specifications

[Application Specification](#)

English

Product Environmental Compliance

[MD_1648384-1_0328201850_dmtec](#)

English

[MD_1648384-1_0328201850_dmtec](#)

English