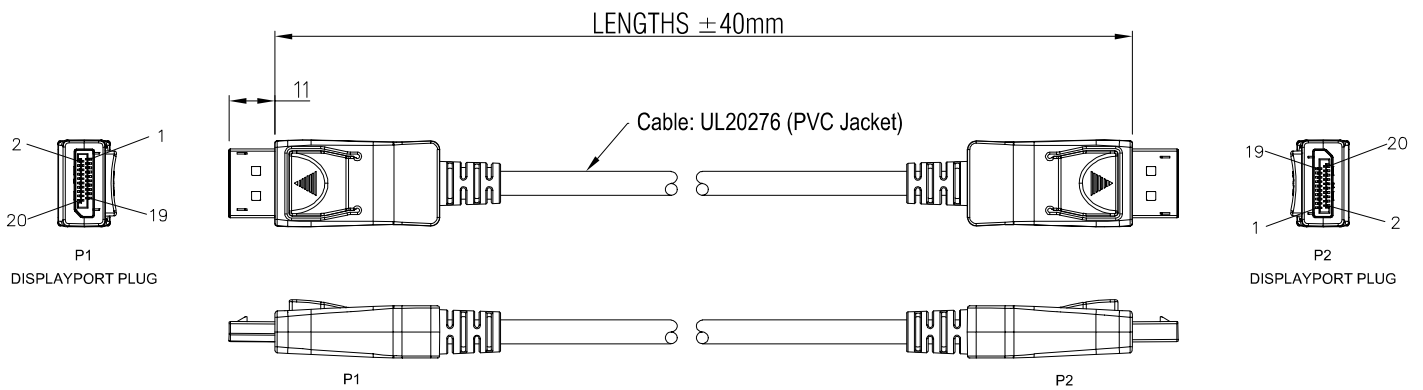


CLIFF

DISPLAYPORT CABLES



P1	Wiring Diagram	P2
1	Black	12
3	White	10
2	Grounding	11
4	Brown	9
6	White	7
5	Grounding	8
7	Red	6
9	White	4
8	Grounding	5
10	Green	3
12	White	1
11	Grounding	2
13	Yellow	13
14	Red	14
15	Blue	15
17	White	17
16	Grounding	16
18	Orange	18
19	White	19
20	Empty	20



NOTES:

- Supplied with dust caps
- Plug style and cable diameter may vary.
- Continuity conductor Resistance: 3Ω MAX
- Insulation Resistance: 10MΩ MIN

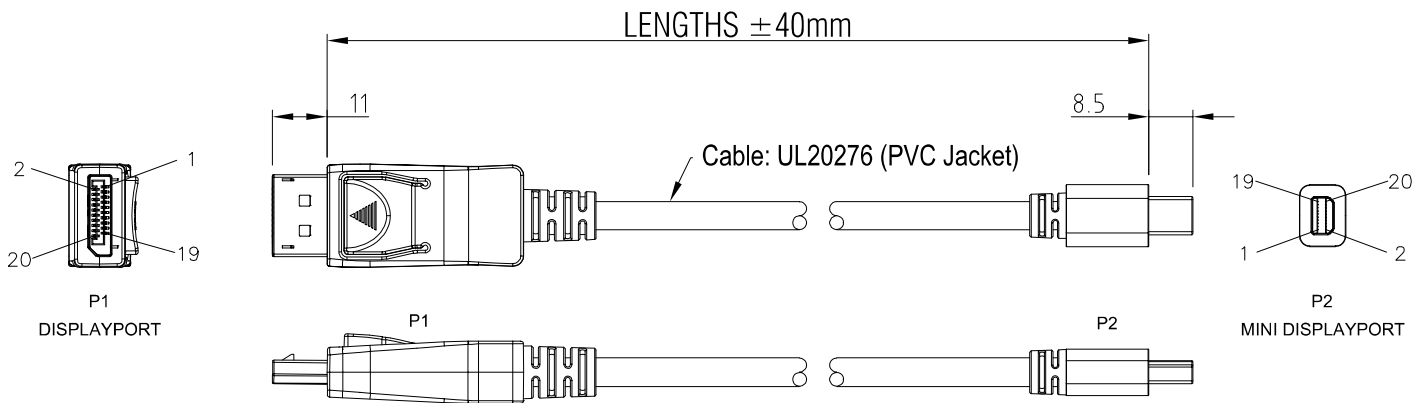
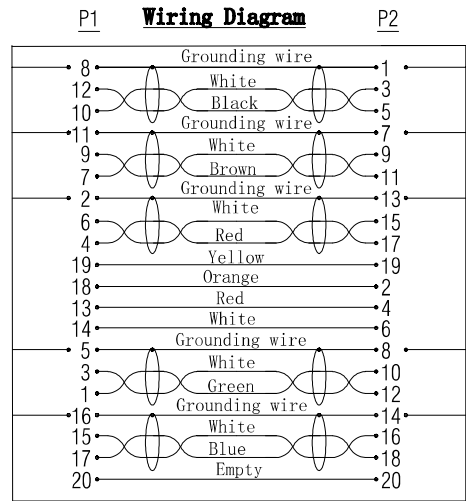
VARIANTS:

FCR72010 - DisplayPort to DisplayPort 8K cable, 1m Black

FCR72011 - DisplayPort to DisplayPort 8K cable, 2m Black

CLIFF

DISPLAYPORT CABLES



NOTES:

- Supplied with dust caps
- Plug style and cable diameter may vary.
- Continuity conductor Resistance: 3Ω MAX
- Insulation Resistance: 10MΩ MIN

VARIANTS:

- FCR72013** - DisplayPort to Mini DisplayPort 4K cable, 1m Black
- FCR72014** - DisplayPort to Mini DisplayPort 4K cable, 2m Black