

DECOSTAR 51 ECO

Halogen dichroic reflector lamps with 51 mm diameter



Areas of application

- General illumination
- Kitchen lighting
- Dining table lighting
- Mirror lighting
- Workplace lighting
- Shops
- Restaurants, hotels and similar prestigious applications

Product benefits

- Brilliant ECO accent lighting
- Significantly lower CO₂ emissions
- Constant luminous intensity and constant color location throughout
- Approved for use in open luminaires (to IEC 60598-1)
- UV filter
- Contains no mercury

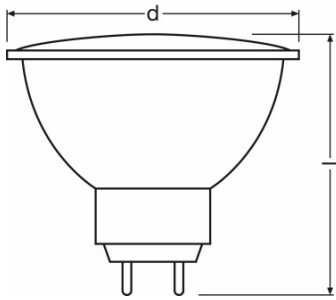
Product features

- Average life: 5,000 h
- Dimmable
- Color rendering index R_a: 100
- Color temperature: 3,000 K



HALOGEN
ECO

Product family datasheet



Product line drawing

Product family datasheet

Technical data

Product description	Nominal wattage	Nominal voltage	Luminous intensity	Beam angle	Base (standard designation)	Diameter
DECOSTAR 51 ECO 14 W 12 V 10° GU5.3	14 W	12 V	2800 cd	10 °	GU5.3	50.7 mm
DECOSTAR 51 ECO 14 W 12 V 36° GU5.3	14 W	12 V	480 cd	36 °	GU5.3	50.7 mm
DECOSTAR 51 ECO 20 W 12 V 10° GU5.3	20 W	12 V	5500 cd	10 °	GU5.3	51.0 mm
DECOSTAR 51 ECO 20 W 12 V 24° GU5.3	20 W	12 V	2000 cd	24 °	GU5.3	51.0 mm
DECOSTAR 51 ECO 20 W 12 V 36° GU5.3	20 W	12 V	1000 cd	36 °	GU5.3	51.0 mm
DECOSTAR 51 ECO 20 W 12 V 60° GU5.3	20 W	12 V	450 cd	60 °	GU5.3	51.0 mm
DECOSTAR 51 ECO 35 W 12 V 10° GU5.3	35 W	12 V	11000 cd	10 °	GU5.3	50.0 mm
DECOSTAR 51 ECO 35 W 12 V 24° GU5.3	35 W	12 V	4100 cd	24 °	GU5.3	51.0 mm
DECOSTAR 51 ECO 35 W 12 V 36° GU5.3	35 W	12 V	2200 cd	36 °	GU5.3	51.0 mm
DECOSTAR 51 ECO 35 W 12 V 60° GU5.3	35 W	12 V	1050 cd	60 °	GU5.3	51.0 mm
DECOSTAR 51 ECO 50 W 12 V 10° GU5.3	50 W	12 V	15000 cd	10 °	GU5.3	51.0 mm
DECOSTAR 51 ECO 50 W 12 V 24° GU5.3	50 W	12 V	5300 cd	24 °	GU5.3	51.0 mm

Product family datasheet

Product description	Nominal wattage	Nominal voltage	Luminous intensity	Beam angle	Base (standard designation)	Diameter
DECOSTAR 51 ECO 50 W 12 V 36° GU5.3	50 W	12 V	2850 cd	36 °	GU5.3	51.0 mm
DECOSTAR 51 ECO 50 W 12 V 60° GU5.3	50 W	12 V	1450 cd	60 °	GU5.3	51.0 mm

Product description	Color temperature	Overall length	Burning position	Rated wattage	Claimed equiv. conventional lamp power	Nominal lamp life time
DECOSTAR 51 ECO 14 W 12 V 10° GU5.3	3000 K	44.5 mm	Any	14.00 W	20 W	5000 h
DECOSTAR 51 ECO 14 W 12 V 36° GU5.3	3000 K	44.5 mm	Any	14.00 W	20 W	5000 h
DECOSTAR 51 ECO 20 W 12 V 10° GU5.3	3000 K	45.0 mm	Any	20.00 W	35 W	5000 h
DECOSTAR 51 ECO 20 W 12 V 24° GU5.3	3000 K	45.0 mm	Any	20.00 W	35 W	5000 h
DECOSTAR 51 ECO 20 W 12 V 36° GU5.3	3000 K	45.0 mm	Any	20.00 W	35 W	5000 h
DECOSTAR 51 ECO 20 W 12 V 60° GU5.3	3000 K	45.0 mm	Any	20.00 W	35 W	5000 h
DECOSTAR 51 ECO 35 W 12 V 10° GU5.3	3000 K	45.0 mm	Any	35.00 W	50 W	5000 h
DECOSTAR 51 ECO 35 W 12 V 24° GU5.3	3000 K	45.0 mm	Any	35.00 W	50 W	5000 h
DECOSTAR 51 ECO 35 W 12 V 36° GU5.3	3000 K	45.0 mm	Any	35.00 W	50 W	5000 h

Product family datasheet

Product description	Color temperature	Overall length	Burning position	Rated wattage	Claimed equiv. conventional lamp power	Nominal lamp life time
DECOSTAR 51 ECO 35 W 12 V 60° GU5.3	3000 K	45.0 mm	Any	35.00 W	50 W	5000 h
DECOSTAR 51 ECO 50 W 12 V 10° GU5.3	3000 K	45.0 mm	Any	50.00 W	75 W	5000 h
DECOSTAR 51 ECO 50 W 12 V 24° GU5.3	3000 K	45.0 mm	Any	50.00 W	75 W	5000 h
DECOSTAR 51 ECO 50 W 12 V 36° GU5.3	3000 K	45.0 mm	Any	50.00 W	75 W	5000 h
DECOSTAR 51 ECO 50 W 12 V 60° GU5.3	3000 K	45.0 mm	Any	50.00 W	75 W	5000 h

Product description	Rated lamp life time	Rated luminous flux	Color rendering index Ra	Starting time	Warm-up time (60 %)	Number of switching cycles
DECOSTAR 51 ECO 14 W 12 V 10° GU5.3	5000 h	N/A lm	100	0.0 s	0.00 s	125000 ¹⁾
DECOSTAR 51 ECO 14 W 12 V 36° GU5.3	5000 h	N/A lm	100	0.0 s	0.00 s	125000 ¹⁾
DECOSTAR 51 ECO 20 W 12 V 10° GU5.3	5000 h	N/A lm	100	0.0 s	0.00 s	125000 ¹⁾
DECOSTAR 51 ECO 20 W 12 V 24° GU5.3	5000 h	N/A lm	100	0.0 s	0.00 s	125000 ¹⁾
DECOSTAR 51 ECO 20 W 12 V 36° GU5.3	5000 h	N/A lm	100	0.0 s	0.00 s	125000 ¹⁾
DECOSTAR 51 ECO 20 W 12 V 60° GU5.3	5000 h	N/A lm	100	0.0 s	0.00 s	125000 ¹⁾

Product family datasheet

Product description	Rated lamp life time	Rated luminous flux	Color rendering index Ra	Starting time	Warm-up time (60 %)	Number of switching cycles
DECOSTAR 51 ECO 35 W 12 V 10° GU5.3	5000 h	N/A lm	100	0.0 s	0.00 s	125000 ¹⁾
DECOSTAR 51 ECO 35 W 12 V 24° GU5.3	5000 h	N/A lm	100	0.0 s	0.00 s	125000 ¹⁾
DECOSTAR 51 ECO 35 W 12 V 36° GU5.3	5000 h	N/A lm	100	0.0 s	0.00 s	125000 ¹⁾
DECOSTAR 51 ECO 35 W 12 V 60° GU5.3	5000 h	N/A lm	100	0.0 s	0.00 s	125000 ¹⁾
DECOSTAR 51 ECO 50 W 12 V 10° GU5.3	5000 h	N/A lm	100	0.0 s	0.00 s	125000 ¹⁾
DECOSTAR 51 ECO 50 W 12 V 24° GU5.3	5000 h	N/A lm	100	0.0 s	0.00 s	125000 ¹⁾
DECOSTAR 51 ECO 50 W 12 V 36° GU5.3	5000 h	N/A lm	100	0.0 s	0.00 s	125000 ¹⁾
DECOSTAR 51 ECO 50 W 12 V 60° GU5.3	5000 h	N/A lm	100	0.0 s	0.00 s	125000 ¹⁾

Product description	Lamp mercury content	Power factor λ	Dimmable	Energy efficiency class	ILCOS	Lumen main.fact.at end of nom.life time
DECOSTAR 51 ECO 14 W 12 V 10° GU5.3	0.0 mg	1.00	Yes	B	HRGS//UBIB-14-12-GU5.3- 51/10	0.75
DECOSTAR 51 ECO 14 W 12 V 36° GU5.3	0.0 mg	1.00	Yes	B	HRGS//UB-14-12-GU5.3- 51/36	0.75
DECOSTAR 51 ECO 20 W 12 V 10° GU5.3	0.0 mg	1.00	Yes	B	HRGS//UBIB-20-12-GU5.3- 51/10	0.75

Product family datasheet

Product description	Lamp mercury content	Power factor λ	Dimmable	Energy efficiency class	ILCOS	Lumen main.fact.at end of nom.life time
DECOSTAR 51 ECO 20 W 12 V 24° GU5.3	0.0 mg	1.00	Yes	B	HRGS//UBIB-20-12-GU5.3- 51/24	0.75
DECOSTAR 51 ECO 20 W 12 V 36° GU5.3	0.0 mg	1.00	Yes	B	HRGS//UBIB-20-12-GU5.3- 51/36	0.75
DECOSTAR 51 ECO 20 W 12 V 60° GU5.3	0.0 mg	1.00	Yes	B	HRGS//UBIB-20-12-GU5.3- 51/60	0.75
DECOSTAR 51 ECO 35 W 12 V 10° GU5.3	0.0 mg	1.00	Yes	B	HRGS//UBIB-35-12-GU5.3- 51/10	0.75
DECOSTAR 51 ECO 35 W 12 V 24° GU5.3	0.0 mg	1.00	Yes	B	HRGS//UBIB-35-12-GU5.3- 51/24	0.75
DECOSTAR 51 ECO 35 W 12 V 36° GU5.3	0.0 mg	1.00	Yes	B	HRGS//UBIB-35-12-GU5.3- 51/36	0.75
DECOSTAR 51 ECO 35 W 12 V 60° GU5.3	0.0 mg	1.00	Yes	B	HRGS//UBIB-35-12-GU5.3- 51/60	0.75
DECOSTAR 51 ECO 50 W 12 V 10° GU5.3	0.0 mg	1.00	Yes	B	HRGS//UBIB-50-12-GU5.3- 51/10	0.75
DECOSTAR 51 ECO 50 W 12 V 24° GU5.3	0.0 mg	1.00	Yes	B	HRGS//UBIB-50-12-GU5.3- 51/24	0.75
DECOSTAR 51 ECO 50 W 12 V 36° GU5.3	0.0 mg	1.00	Yes	B	HRGS//UBIB-50-12-GU5.3- 51/36	0.75
DECOSTAR 51 ECO 50 W 12 V 60° GU5.3	0.0 mg	1.00	Yes	B	HRGS//UBIB-50-12-GU5.3- 51/60	0.75

Product description	Mercury-free
DECOSTAR 51 ECO 14 W 12 V	Yes

Product family datasheet

Product description	Mercury-free
10° GU5.3	
DECOSTAR 51 ECO 14 W 12 V 36° GU5.3	Yes
DECOSTAR 51 ECO 20 W 12 V 10° GU5.3	Yes
DECOSTAR 51 ECO 20 W 12 V 24° GU5.3	Yes
DECOSTAR 51 ECO 20 W 12 V 36° GU5.3	Yes
DECOSTAR 51 ECO 20 W 12 V 60° GU5.3	Yes
DECOSTAR 51 ECO 35 W 12 V 10° GU5.3	Yes
DECOSTAR 51 ECO 35 W 12 V 24° GU5.3	Yes
DECOSTAR 51 ECO 35 W 12 V 36° GU5.3	Yes
DECOSTAR 51 ECO 35 W 12 V 60° GU5.3	Yes
DECOSTAR 51 ECO 50 W 12 V 10° GU5.3	Yes
DECOSTAR 51 ECO 50 W 12 V 24° GU5.3	Yes
DECOSTAR 51 ECO 50 W 12 V 36° GU5.3	Yes
DECOSTAR 51 ECO 50 W 12 V 60° GU5.3	Yes

Product family datasheet

Application advice

For more detailed application information and graphics please see product datasheet.

References / Links

For light distribution curves see

▶ www.osram.com

Disclaimer

Subject to change without notice. Errors and omission excepted. Always make sure to use the most recent release.