

### Piezo-Buzzer with oscillator for panel mounting

#### Electrical and Acoustical Parameter

Rated Voltage (VDC)	12
Operating Voltage (VDC)	5 ~ 28
Max. Current Consumption* (mA)	20
Sound Pressure Level* (dBA @ 100cm, ±3dBA)	85
Oscillator Frequency (Hz ±500)	2900
Tone	<i>Continuous + Pulse</i>
Pulse Cycles (c/m, ±20)	80
	<i>On/Off time 50% ±20%</i>

Remark: \*Applying rated voltage; Temperature: 15 ~ 35°C ; Humidity: 35 ~ 85% R.H.

#### Mechanical, Environmental Parameter

Contact / Wire	<i>Fasten 6.3 mm</i>
Operating Temperature (°C)	-20 ~ +75
Storage Temperature (°C)	-30 ~ +80
Housing Material	ABS
Housing Colour	<i>Black or Grey</i>
IP Rating	65
Component Weight (g)	40

Remark:

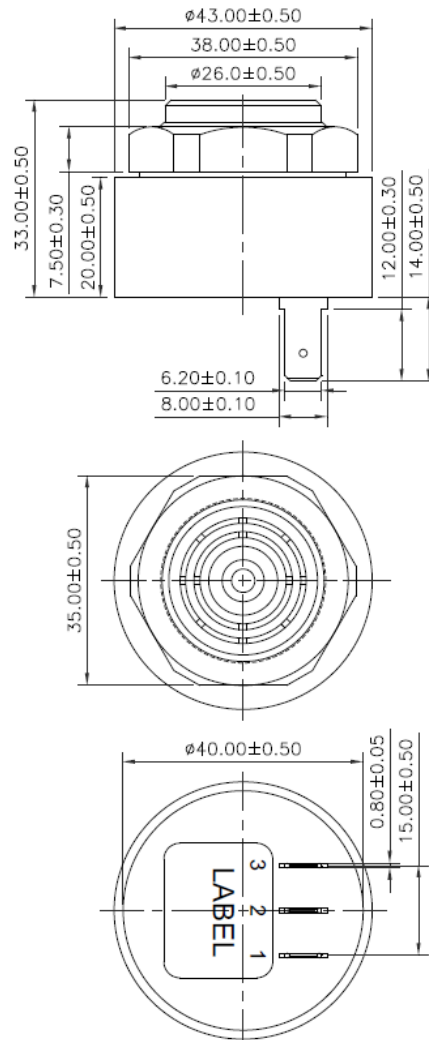
#### Approval

RoHs	<input checked="" type="checkbox"/>
REACH	<input checked="" type="checkbox"/>

Designed by	MZ	09.12.2015	Copyright DIGISOUND-Electronic GmbH All specifications are subject to change without notice	Index: 01	Current date
Released by	CB	09.12.2015	Drawing number <b>151209.1BZ</b>		16.10.2018
Changed by	UB	16.10.2018			Page 1 of 4

### Drawing of Component

Unit: mm



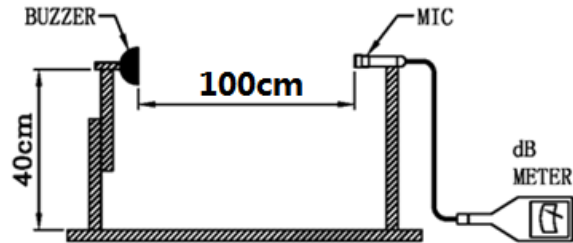
Dimensions without tolerance  $\pm 0.5$  mm

### Label



Designed by	MZ	09.12.2015	Copyright DIGISOUND-Electronic GmbH All specifications are subject to change without notice	Index: 01	Current date
Released by	CB	09.12.2015	Drawing number <b>151209.1BZ</b>		16.10.2018
Changed by	UB	16.10.2018			Page 2 of 4

### Test Method



### Reliability Test

All specifications must be satisfied after the tests.

All test items should be recovered in normal condition for 2-4 hours after each test.

#### **Durability test:**

Continuously working at rated voltage for 500h in the normal testing condition

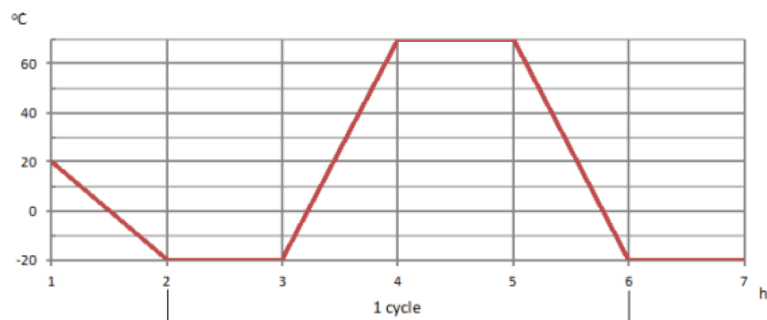
#### **Temperature test:**

High temperature:  $+80^{\circ}\text{C} \pm 3^{\circ}\text{C}$  for 96h

Low temperature:  $-30^{\circ}\text{C} \pm 3^{\circ}\text{C}$  for 96h

#### **Temperature cycle test:**

Leave the test items in the chamber with below temperature change cycle for 5 times.



#### **Humidity test:**

Leave the test items at  $+60^{\circ}\text{C} \pm 3^{\circ}\text{C}$  & 90%-95% RH for 96h

#### **Vibration test:**

Sweep frequency: 10-55-10 Hz, Amplitude: 1.52 mm, Sweep time: 1 minute, Total test time: 30 minutes

#### **Drop test:**

Drop the test items at height of 1m for 3 times at each direction onto the wooden board.

The pins deformed are allowed.

Designed by	MZ	09.12.2015	Copyright DIGISOUND-Electronic GmbH All specifications are subject to change without notice	Index: 01	Current date
Released by	CB	09.12.2015	Drawing number	<h1>151209.1BZ</h1>	16.10.2018
Changed by	UB	16.10.2018			Page 3 of 4

### Packaging Information

Package: 20 pcs per box  
500 pcs per carton  
Carton dimension: 57 x 52 x 26 cm  
Weight: 26 kg

### Revision Table

Index Nr.	Reason - Procedure Change description	Date	Name	Comments
01	Update datasheet layout , Black + Grey Added: corrected label , Test method , Reliability test , complete packaging information	16.10.2018	Uwe Bartsch	

Designed by	MZ	09.12.2015	Copyright DIGISOUND-Electronic GmbH All specifications are subject to change without notice	Index: 01	Current date
Released by	CB	09.12.2015	Drawing number <b>151209.1BZ</b>		16.10.2018
Changed by	UB	16.10.2018			Page 4 of 4