

- 1
- 2
- 3
- 4
- 5
- 6
- 7
- 8
- 9
- 10
- 11
- 12
- 13
- 14
- 15
- 16
- 17
- 18

STANDARD EXECUTION

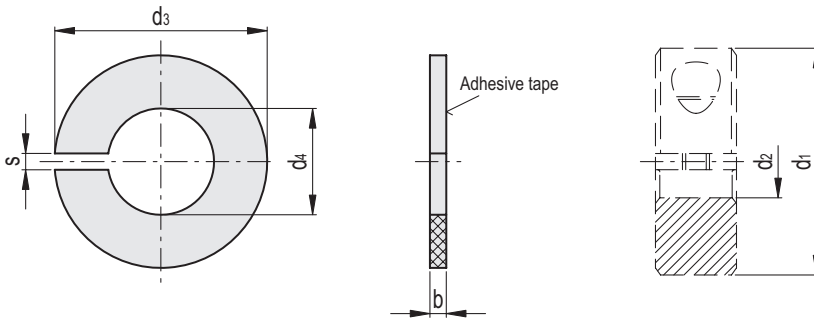
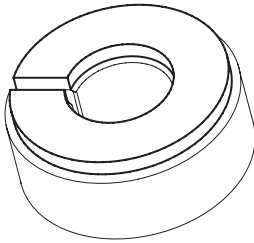
Transparent polyurethane (PUR), hardness 70 Shore A. Resistant up to 80°C.

With adhesive tape.

FEATURES AND APPLICATIONS

GN 7062.30 dampening washers are accessories for the different types of set collars. They are fixed by means of an adhesive film, preferably on the side of the set collar without grooves.

They allow to absorb light impacts and have got a dampening effect when they come into contact with other components.



Code	Description	d1	d2	d3	d4	b±0.2	s	⚖️
GN.74201	GN 7062.30-30-B12	30	12	28	13	2	2.1	1
GN.74203	GN 7062.30-32-B14	32	14	30	15	2	2.1	1
GN.74205	GN 7062.30-36-B15	36	15	34	16	2	2.1	2
GN.74207	GN 7062.30-36-B16	36	16	34	17	2	2.1	2
GN.74209	GN 7062.30-42-B18	42	18	39	19.5	3	3	4
GN.74211	GN 7062.30-42-B20	42	20	39	21.5	3	3	4
GN.74213	GN 7062.30-48-B22	48	22	45	23.5	3	3	4
GN.74215	GN 7062.30-48-B25	48	25	45	26.5	3	3	4
GN.74217	GN 7062.30-55-B28	55	28	52	29.5	3	3	6
GN.74219	GN 7062.30-55-B30	55	30	52	31.5	3	3	4
GN.74221	GN 7062.30-60-B32	60	32	57	33.5	3	4	6
GN.74223	GN 7062.30-60-B35	60	35	57	36.5	3	4	5
GN.74225	GN 7062.30-65-B40	65	40	62	41.5	3	4	7