

Touchproof Connectors

Order code	Manufacturer code	Description
20-0805	n/a	4 POLE STRAIGHT CABLE PLUG (RC)
20-0807	n/a	4 POLE T/PROOF R/A CABLE PLUG (RC)
20-0810	n/a	4 POLE TOUCHPROOF CHASSIS SKT (RC)

Touchproof Connectors	Page 1 of 2
The enclosed information is believed to be correct, Information may change without notice due to product improvement. Users should ensure that the product is suitable for their use. E. & O. E.	Revision A 20/02/2007

FEATURES

- Touchproof Contacts to IEC 65 / IEC 348 / IEC 1010-1.
- Polarized. Fits std XLR cutout.
- Easy Foolproof Lock / Unlock.
- High reliability wiping contacts / Gold plated. (standard)
- Faston and screw / solder connections
- Built in cable clamp 6mm. ~ 15mm.
- Chassis connector is panel airtight.
- Tough and Durable.
- 90° plug version for applications requiring a more compact assembly - with screw cable clamp.
- Line connector for connecting 2 plugs.
- Option - PC Mounting for socket.

APPLICATIONS

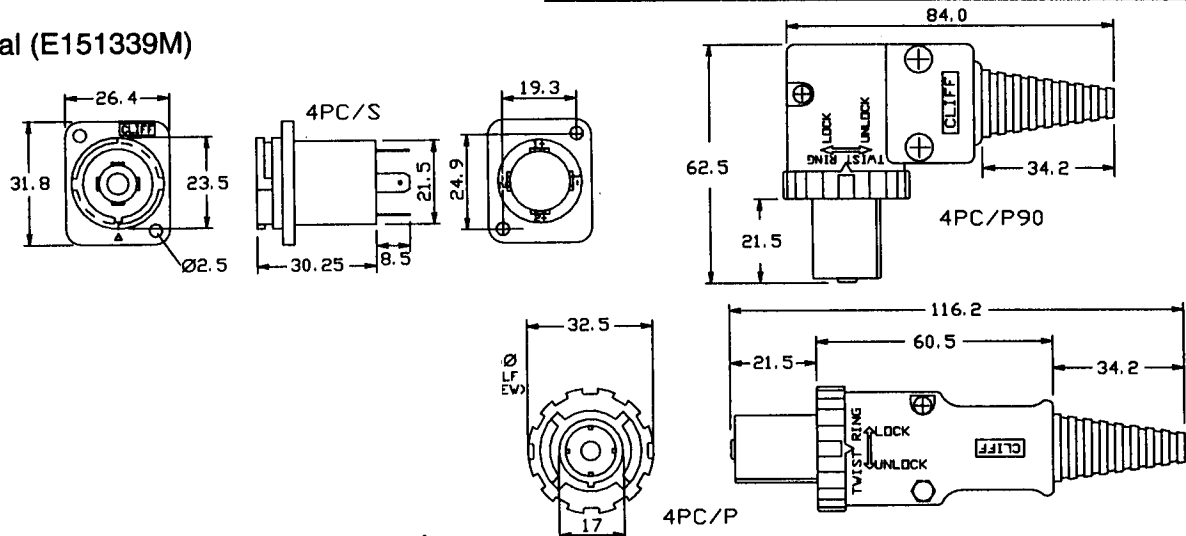
Intended for any application where reliable locking touchproof connector system is needed e.g. speaker to amplifier, supply lead / console, instrument interconnections etc. Specially designed for high power applications.

4PC/P FC6935 (CL2062) Weight 4.6kg./100
4PC/P90 FC69355 (CL2063) Weight 4.6kg./100
4PC/S FC6930 (CL2064) Weight 1.3kg./100

SPECIFICATION

ELECTRICAL	MECHANICAL
Rated Current -20A. RMS at 80°C -30A. RMS at 20°C * Same current on all 4 pins flowing through both Plug & Socket. Rated - 250V AC Max. Test Voltage - 2.5KV RMS 50Hz / min. Contact Resistance - <3mΩ Capacitance (between terminals) <1.5pf. Insulation Resistance - >20MΩ @ 4000V Inrush Current - >30A. / 20mS. Recommended Wiring - + Inphase - Ground 1+, 1- CH A (L) 2+, 2- CH B (R) * Plug carrying 120A - temp rise 80°C. Touchproof to IEC 65 / IEC 348 / IEC 1010-1. EN60268-12/A1	Locking Method - Lock ring, with position indicator Cable Anchor - CLIFF patented V block / Assembly screws Cable OD - 6mm / 15mm Ø. Optional cable grommet - adjustable by cutting. Connection - Chassis Socket - 4.8mm Faston x 8. Gold Plated. (Fastons are solderable) Plug Assy - 4 x Flat Head Screws / washers or 4 x solder tag / dual system. Contacts - Gold Plated Max. Wire size / contact - 6mm² / 10 AWG (solid) 4mm² / 12AWG (stranded) Operating Temp. -20 / +80°C. Model Nos. 4P Cable Plug - 4PC/P (CL2062) 4P 90° Cable Plug - 4PC/P90 (CL2063) 4P Chassis Socket - 4PC/S (CL2064)

UL Approval (E151339M)



CLIFFCON® 4P Touchproof Connector