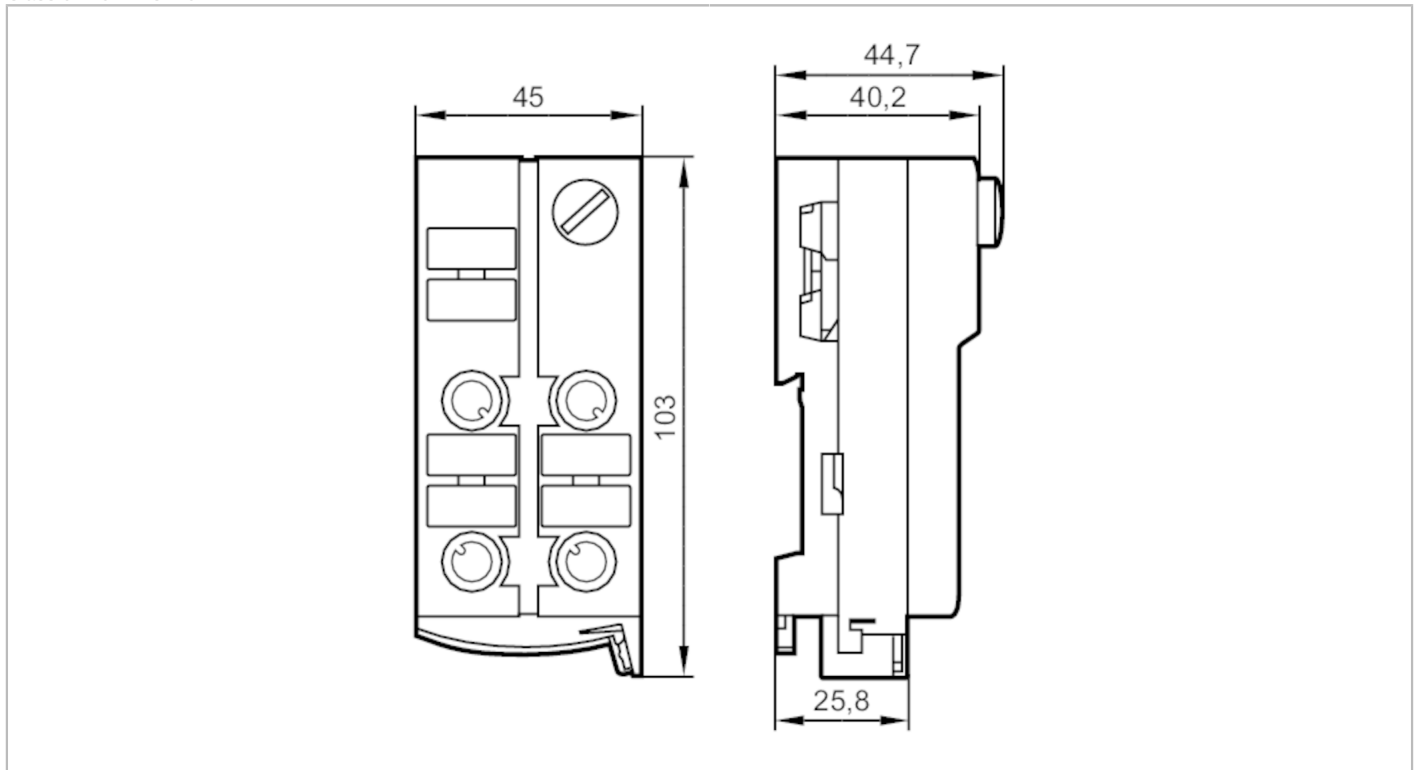




## AS-Interface ClassicLine module with quick mounting technology

ClassicLine 2AI C IP67



Electrical data	
Operating voltage [V]	26.5...31.6 DC; ("supply class 2" to cULus)
Max. current consumption from AS-i [mA]	250
Reverse polarity protection	yes
Inputs / outputs	
Number of inputs and outputs	Number of analogue inputs: 2
Inputs	
Number of analogue inputs	2; (Anschluss von 2- und 3-Draht-Sensoren)
Sensor supply of the inputs	AS-i
Analogue input (current) [mA]	4...20
Max. voltage drop across load for nominal voltage [V]	10
Analogue inputs protected against short circuits	yes
Resolution of analogue input	12 bit
Operating conditions	
Ambient temperature [°C]	-25...70
Protection	IP 67
Tests / approvals	
EMC	EN 50295
MTTF [years]	174



## AS-Interface ClassicLine module with quick mounting technology

ClassicLine 2AI C IP67

AS-i classification	
AS-i version	2.11 + 3.0
AS-i addressing	addressing socket
Extended addressing mode possible	no
AS-i profile	S-7.3.D
AS-i I/O configuration [hex]	7
AS-i ID code [hex]	3.D
AS-i certificate pending	yes

Mechanical data	
Weight [g]	176
Type of mounting	AS-i flat cables directly connectable
Materials	PA; piercing contacts: CuSn6 nickel-plated and tin-plated

Displays / operating elements		
Display	operation	LED, green Voltage AS-i
	errors	LED, red
	function	LED, yellow channels AI1, AI2

Accessories	
Accessories (supplied)	lower part
Accessories (optional)	Protective cap: M12, E73004

Remarks	
Remarks	When the actuators are supplied from AS-i the load must not exceed a maximum of 200 mA. There is an electrical connection between the sensor and AS-i. The module is exclusively supplied via the yellow AS-i cable.
Pack quantity	1 pcs.

Electrical connection	
quick mounting technology for AS-i flat cable: ; three orientations possible	
1	Sensor supply +24V
2	analogue input AI +
3	Sensor supply 0V / analogue input AI-
5	functional earth

Connector: M12