



**Part no.: 50040499**  
**RFM 62 SL 200**  
**RFID read/write device**



Figure can vary



## Contents

- Technical data
- Dimensioned drawings
- Electrical connection
- Operation and display
- Notes
- Accessories

Part no.: 50040499 – RFM 62 SL 200 – RFID read/write device

## Technical data

<b>Basic data</b>	
Series	RFM
Working frequency	13.56 MHz
<b>Functions</b>	
Functions	Configurable operating modes I/O LED indicator Reading gate control
<b>Read data</b>	
Reading/writing range, max.	400 mm
Transponder, readable	ICodeSLI Infineon MyD TagIT HFI
<b>Electrical data</b>	
<b>Performance data</b>	
Supply voltage $U_B$	12 ... 30 V , DC
Power consumption, max.	2 W
Memory access	Read/Write
Transmission speed	4,000 Bd
<b>Inputs</b>	
Number of digital switching inputs	1 Piece(s)
<b>Outputs</b>	
Number of digital switching outputs	1 Piece(s)
<b>Interface</b>	
Type	RS 232
<b>RS 232</b>	
Function	Process
Transmission speed	9,600 Bd
Data format	Fixed
Start bit	1
Data bit	8 data bits
Stop bit	1 stop bit
Parity	None
Transmission protocol	<STX><data><CR><LF>
<b>Connection</b>	
Number of connections	1 Piece(s)
<b>Connection 1</b>	
Type of connection	Cable with socket connectors (10+6)
Function	Data interface Signal IN Signal OUT Voltage supply
Cable length	1,000 mm
<b>Mechanical data</b>	

Part no.: 50040499 – RFM 62 SL 200 – RFID read/write device

Design	Cubic
Dimension (W x H x L)	298 mm x 34 mm x 298 mm
Housing material	Plastic
Net weight	1,978 g
Housing color	Black
Type of fastening	Through-hole mounting

**Environmental data**

Ambient temperature, operation	-25 ... 65 °C
Ambient temperature, storage	-40 ... 70 °C
Relative humidity (non-condensing)	5 ... 90 %

**Certifications**

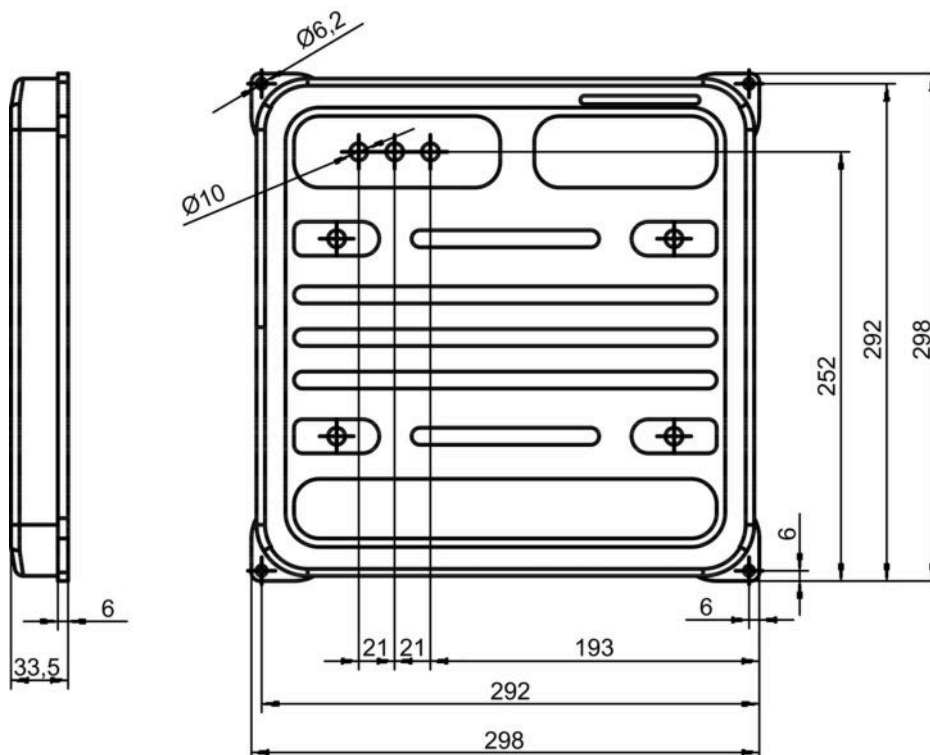
Degree of protection	IP 65
----------------------	-------

**Classification**

Customs tariff number	84719000
eCl@ss 8.0	27280401
eCl@ss 9.0	27280401
ETIM 5.0	EC002998
ETIM 6.0	EC002998

## Dimensioned drawings

All dimensions in millimeters



## Electrical connection

Connection 1	
Type of connection	Cable with socket connectors (10+6)
Function	Data interface Signal IN Signal OUT Voltage supply
Cable length	1,000 mm

Pin	Pin assignment	Conductor color
1	n.c.	White-brown
2	n.c.	White-red
3	n.c.	White-orange
4	n.c.	White-yellow
5	n.c.	White-green
6	SWOUT 1	White-black
7	GND	Brown
8	n.c.	Red
9	n.c.	Orange
10	RxD	Yellow
11	TxD	Green
12	n.c.	Blue
13	SWIN 1	Violet
14	VIN	Gray
15	GNDIN	White
16	Shield	Shield

## Operation and display

### LEDs

LED	Display	Meaning
1	Yellow, continuous light	Operational readiness
2	Red, continuous light	Reading gate active
3	Green, flashing	Reading successful

## Notes


Observe intended use!
<ul style="list-style-type: none"> <li>This product is not a safety sensor and is not intended as personnel protection.</li> <li>The product may only be put into operation by competent persons.</li> <li>Only use the product in accordance with its intended use.</li> </ul>

## Part no.: 50040499 – RFM 62 SL 200 – RFID read/write device

- Under certain circumstances, metal in the reading field reduces the operating range considerably.
- Antenna calibration is to be performed after mounting. The calibration process optimally adapts the device to environment at the installation location and enables the maximum operating range for data transmission. See the operating instructions for further information.

### Accessories

#### Connection technology - Connection unit

	Part no.	Designation	Article	Description
	50031256	MA 2	Connection unit	Interface: RS 232, RS 485 Connections: 3 Piece(s) Degree of protection: IP 54

#### Note

A list with all available accessories can be found on the Leuze electronic website in the Download tab of the article detailed page.