



Part no.: 53800136
BTU804MA
Mounting plate

Figure can vary

Contents

- Technical data
- Dimensioned drawings

Part no.: 53800136 – BTU804MA – Mounting plate

Technical data

Basic data

Suitable for RSL 4x0.../CU411-RS4 safety laser scanner

Mechanical data

Dimension (W x H x L)	142 mm x 7 mm x 154 mm
Net weight	260 g
Housing color	Black
Design of mounting device	Mounting system, compatible with RS4 mounting system
Type of fastening, at system	Through-hole mounting
Type of fastening, at device	Screw type
Mounting device material	Metal

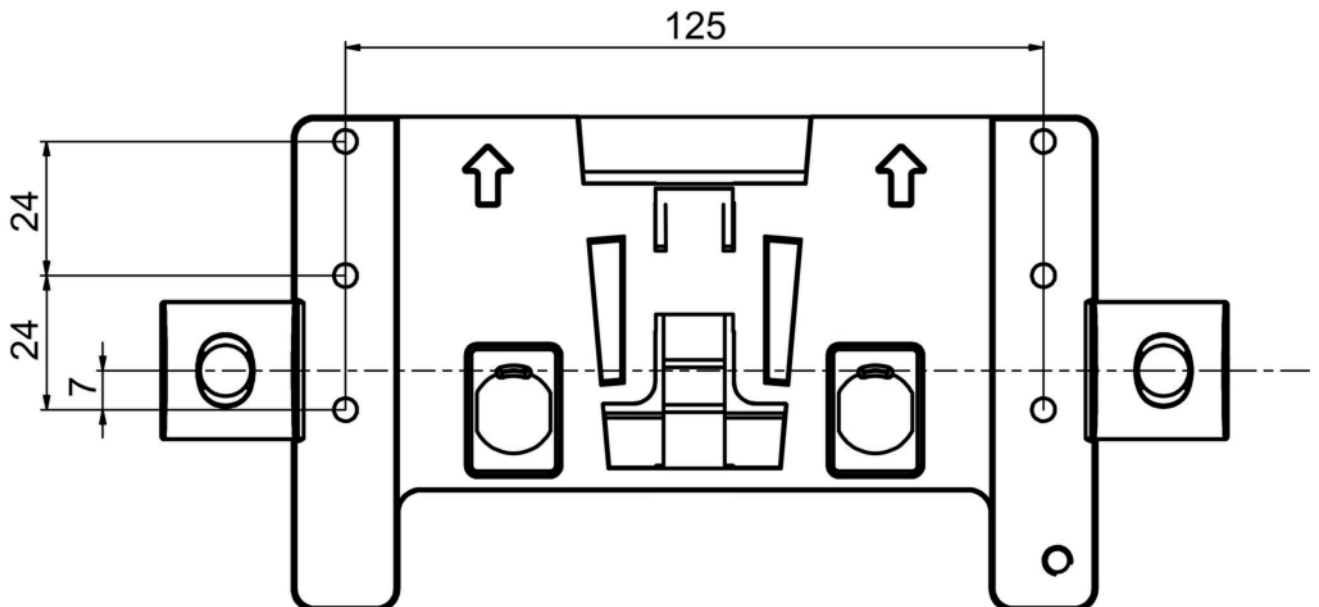
Classification

Customs tariff number	83024900
eCl@ss 8.0	27279202
eCl@ss 9.0	27273701
ETIM 5.0	EC003015
ETIM 6.0	EC003015

Dimensioned drawings

All dimensions in millimeters

Support for mounting system



Mounting system

