

MASI68 I/O MODULE

8 digital inputs

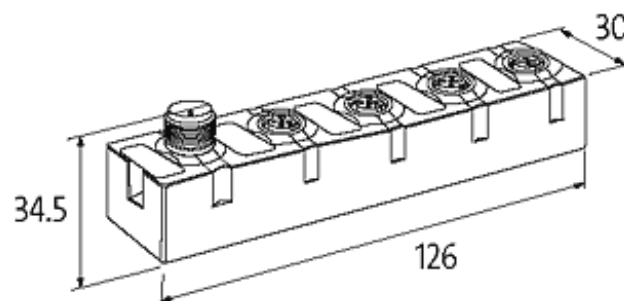
Compact module

DI8 - 0.2 A (C) 4×M12 (AB)

For connection cables please see chapter "Connection Technology" All housings are fully potted

[Link to Product](#)

Illustration



Product may differ from Image

Approvals



Power 24V



Input

| | |
|------------------|--|
| Type | for 3-wire sensors or mechanical switches, PNP, (EN 61131-2) |
| Sensor supply US | max. 200 mA from AS-Interface (short-circuit and overload protected) |

Connections

| | |
|----------|--------------|
| Fieldbus | M12, A-coded |
|----------|--------------|

I/O ports M12, 4-pole

Technical Data

| | |
|----------------------------|---|
| Bus voltage (AS-Interface) | 26.5...31.6 V DC |
| ASI-Power 24 | yes |
| Total current | max. 250 mA |
| Addressing | via master or M12 connection and programming device |
| Address range | 2 × 1...62 (2 × 1...31 A or B) |
| Profile (IO/ID/ID2 code) | 2 × S-0.A.2 |
| Address presetting | Slave 1: address 31 A; Slave 2: address 31 B |

General data

| | |
|----------------------|---|
| Protection | IP68 |
| Mounting method | screw fixing |
| Temperature range | -20...+60 °C (storage temperature -20...+70 °C) |
| Dimensions H × W × D | 126×30×34.5 mm |

Diagnostic

| | |
|-------------------------|------------|
| Communication status | via LED |
| Diagnostic via LED | per module |
| Monitoring - no voltage | yes |

Commercial data

| | |
|------------------------|----------|
| country of origin | DE |
| customs tariff number | 85176200 |
| minimum order quantity | 1 |