

66682-4 ✓ ACTIVE

## AMPLIMITE

TE Internal #: 66682-4

D-Sub Connector Contacts, Pin, Size 20, Brass, Gold, Crimp, 28 – 24

AWG Wire Size, .08 – .2 mm<sup>2</sup> Wire Size, Cable-to-Cable, Wire &

Cable, 1.2 A, Signal

[View on TE.com >](#)



Connectors > D-Shaped Connectors > D-Sub Connector Contacts > D-Sub Connector Contacts: Pin, Brass, Signal, Size 20



Contact Type: **Pin**

D-Sub Contact Size: **20**

Contact Base Material: **Brass**

Contact Mating Area Plating Material: **Gold**

Termination Method to Wire & Cable: **Crimp**

[All D-Sub Connector Contacts: Pin, Brass, Signal, Size 20 \(55\)](#)

## Features

### Product Type Features

Product Type	Contact
Grade	Standard
Connector System	Cable-to-Cable
Connector & Contact Terminates To	Wire & Cable

### Contact Features

	30 µin
Pin Diameter	1.02 mm[.04 in]
Contact Underplating Material	Nickel
PCB Contact Termination Area Plating Material	Gold Flash
Contact Type	Pin
D-Sub Contact Size	20
Contact Base Material	Brass
Contact Mating Area Plating Material	Gold



Contact Current Rating (Max)	1.2 A
------------------------------	-------

### Termination Features

	.39 in
Termination Method to Wire & Cable	Crimp

### Mechanical Attachment

Contact Retention Type Within Housing	Snap-In
Wire Insulation Support	With

### Dimensions

	.06 in
Post Diameter	2.16 mm
Accepts Wire Insulation Diameter Range	1.27 – 1.52 mm [.05 – .06 in]
Wire Size	.08 – .2 mm <sup>2</sup>

### Usage Conditions

Operating Temperature Range	-55 – 105 °C [-67 – 221 °F]
-----------------------------	-----------------------------

### Operation/Application

For Use With	AMPLIMITE HDP-20, CPC Connectors
Circuit Application	Signal

### Packaging Features

Packaging Quantity	1000
Packaging Method	Loose Piece

### Product Compliance

[For compliance documentation, visit the product page on TE.com>](#)

EU RoHS Directive 2011/65/EU	Compliant
EU ELV Directive 2000/53/EC	Compliant
China RoHS 2 Directive MIIT Order No 32, 2016	No Restricted Materials Above Threshold
EU REACH Regulation (EC) No. 1907/2006	Current ECHA Candidate List: JUL 2021 (219) Candidate List Declared Against: JUL 2021 (219) Does not contain REACH SVHC
Halogen Content	Low Halogen - Br, Cl, F, I < 900 ppm per homogenous material. Also BFR/CFR/PVC Free

Solder Process Capability

Not applicable for solder process capability

Product Compliance Disclaimer

This information is provided based on reasonable inquiry of our suppliers and represents our current actual knowledge based on the information they provided. This information is subject to change. The part numbers that TE has identified as EU RoHS compliant have a maximum concentration of 0.1% by weight in homogenous materials for lead, hexavalent chromium, mercury, PBB, PBDE, DBP, BBP, DEHP, DIBP, and 0.01% for cadmium, or qualify for an exemption to these limits as defined in the Annexes of Directive 2011/65/EU (RoHS2). Finished electrical and electronic equipment products will be CE marked as required by Directive 2011/65/EU. Components may not be CE marked. Additionally, the part numbers that TE has identified as EU ELV compliant have a maximum concentration of 0.1% by weight in homogenous materials for lead, hexavalent chromium, and mercury, and 0.01% for cadmium, or qualify for an exemption to these limits as defined in the Annexes of Directive 2000/53/EC (ELV). Regarding the REACH Regulation, the information TE provides on SVHC in articles for this part number is based on the latest European Chemicals Agency (ECHA) 'Guidance on requirements for substances in articles' posted at this URL: <https://echa.europa.eu/guidance-documents/guidance-on-reach>

### Compatible Parts



TE Part # CAT-AM71-C83998M  
CPC SERIES 2



TE Part # CAT-AM71-C83998BB  
CPC SERIES 3



TE Part # 1579007-9  
EXTRACTION TOOL



TE Part # 91285-1  
INSERT/EXTRACT TOOL ASSEMBLY



TE Part # 2-2151428-1  
OCEAN-2.0-APPLICATOR-S-042F0550



TE Part # 2-2151428-2  
OCEAN-2.0-APPLICATOR-S-042F0550A



TE Part # 2151428-1  
OCEAN-2.0-APPLICATOR-S-042F0550



TE Part # 2151428-2  
OCEAN-2.0-APPLICATOR-S-042F0550A



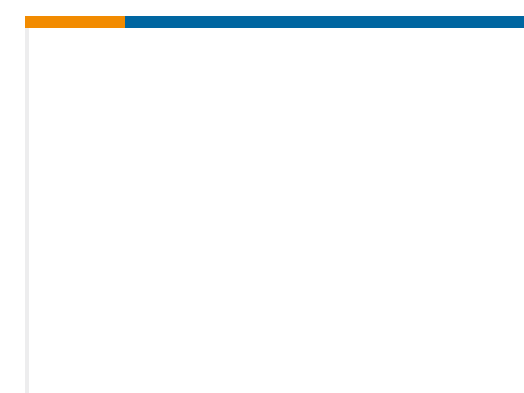
TE Part # 5-2151428-1  
OCEAN-2.0-APPLICATOR-S-042F0550



TE Part # 5-2151428-2  
OCEAN-2.0-APPLICATOR-S-042F0550A



TE Part # 91549-1  
CCII HD-20 PIN SKT 28-24 ASSY



TE Part # 91549-3  
CCII HD-20 PIN SKT 28-24 HEAD

### Customers Also Bought



TE Part #205840-3  
CPC RECPT ASSEMBLY SIZE 17-28



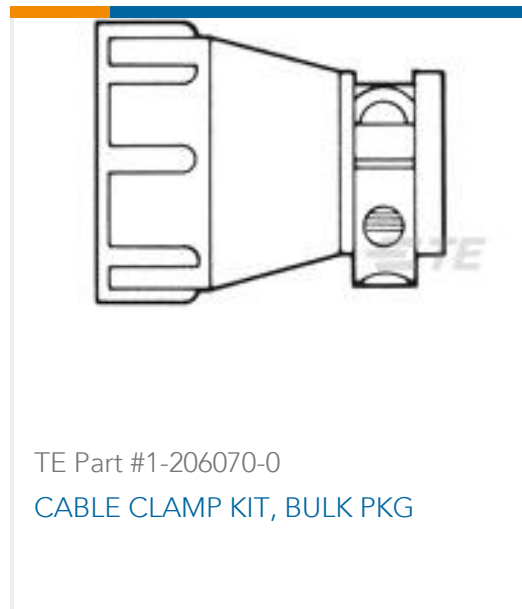
TE Part #66507-9  
D-Sub Connector Contacts: Pin, Brass, Signal, Size 20



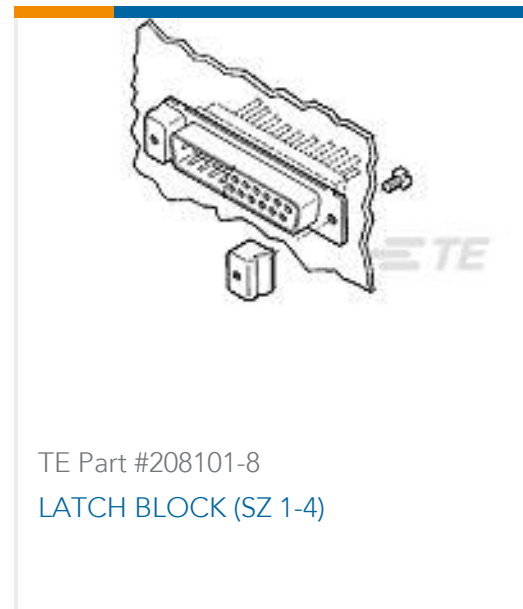
TE Part #66683-4  
SOCKET CONTACT, 20 DF



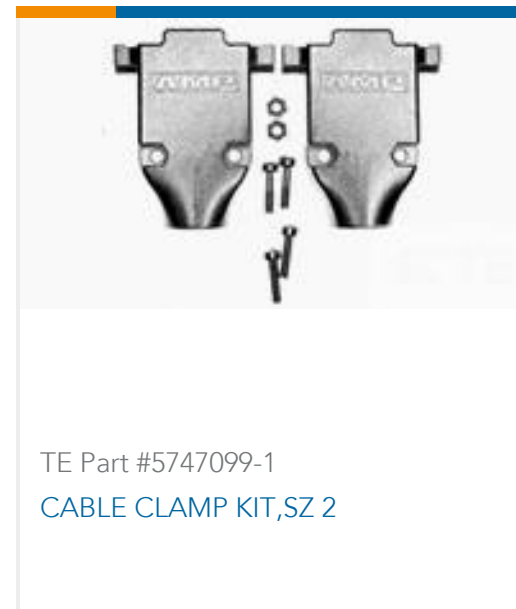
TE Part #1-2273083-4  
M12 x 1.0 angled socket pigt A



TE Part #1-206070-0  
CABLE CLAMP KIT, BULK PKG



TE Part #208101-8  
LATCH BLOCK (SZ 1-4)



TE Part #5747099-1  
CABLE CLAMP KIT, SZ 2



TE Part #208652-1  
SEALING CAP ASSY, SZ 17, CPC



TE Part #207496-7  
SKT HDR ASSY, 4P, MMATE LF

## Documents

### Product Drawings

#### PIN CONTACT, 20 DF

English

### CAD Files

#### 3D PDF

3D

#### Customer View Model

[ENG\\_CVM\\_CVM\\_66682-4\\_AL.2d\\_dxf.zip](#)

English

#### Customer View Model

[ENG\\_CVM\\_CVM\\_66682-4\\_AL.3d\\_igs.zip](#)

English

#### Customer View Model

[ENG\\_CVM\\_CVM\\_66682-4\\_AL.3d\\_stp.zip](#)

English

By downloading the CAD file I accept and agree to the [Terms and Conditions](#) of use.

## Datasheets & Catalog Pages



[AMP Circular Connectors for Commercial Signal & Power Applications](#)

English

[Signal Contacts](#)

English

[AMPLIMITE Subminiature D Connectors - Cable Connectors](#)

English

[AMPLIMITE Cable Connectors and Shielding Hardware Kits QRG](#)

English

---

**Product Specifications**

[Application Specification](#)

English

[Application Specification](#)

English

---

**Product Environmental Compliance**

[TE Material Declaration](#)

English

---

**Instruction Sheets**

[Instruction Sheet \(U.S.\)](#)

English