

D-Sub Accessories / Slidelock

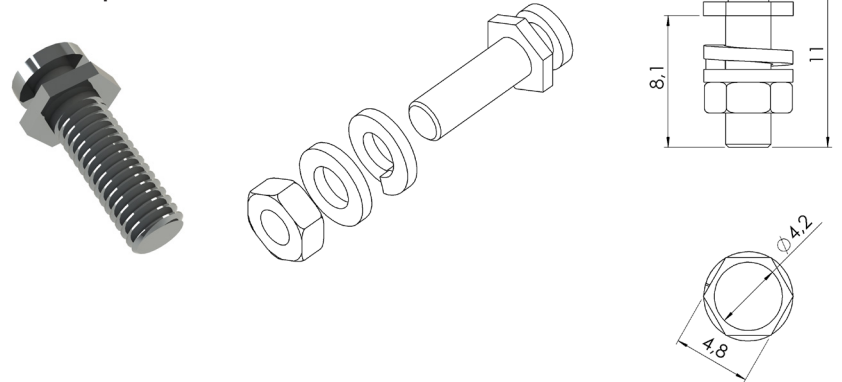
TECHNICAL SPECIFICATIONS SLIDELOCK

Material: Stainless steel

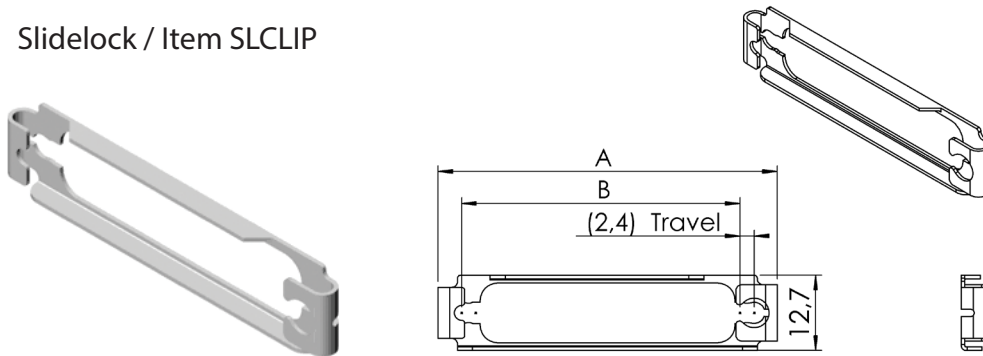
1 kit comprise: 1 slidelock
2 UNC 4-40 screws
2 spring washers
2 UNC 4-40 nuts

1 pair STUD-8: 2 screws, 8 mm long
2 UNC4-40nuts
2 spring washers
2 washers

Slide lock post / Item STUD-8



Slidelock / Item SLCLIP



Connector type	A	B
9-way	35,4	25,0
15-way	43,7	33,3
25-way	57,4	47,0
37-way	73,9	63,5

PART NUMBERING SYSTEM

SLCLIP - 15 - BULK

Series: _____

SLCLIP

Size: _____

9, 15, 25 and 37

Packaging: _____

K = Kitpackage
BULK = Bulk / 100 pcs

FEATURES

- Available in sizes 9, 15, 25 and 37
- Designed to be combined with Ossi backshells with integrated UNC 4-40 threads