

# Electronic housing - ME 22,5 UT/FE BUS/10+2 KMGY - 2890108

Please be informed that the data shown in this PDF Document is generated from our Online Catalog. Please find the complete data in the user's documentation. Our General Terms of Use for Downloads are valid (<http://download.phoenixcontact.com>)



Lower part of housing, integrated 10-pos. cross connection link for parallel through contacting, and 2-pos. connection link for serial contacting

The illustration shows the green product version

## Product Features

- 2 optional serial contacts (daisy chain)
- Can be snapped onto standard NS 35/7,5 and NS 35/15 DIN rails
- Gold contacts for data transmission and power supply (125 V, 8 A)
- Supply via standard MINI COMBICON plug

## Key commercial data

<b>package_quantity</b>	50
<b>GTIN</b>	4046356095174

## Technical data

### General

<b>Housing type</b>	Component housing
<b>Housing material</b>	Polyamide
<b>Color</b>	light gray

### Ambient conditions

<b>Ambient temperature (operation)</b>	-40 °C ... 105 °C
--	-------------------

### Dimensions

<b>Length</b>	99 mm
<b>Constructional height</b>	114.5 mm
<b>Width</b>	22.5 mm

### Technical data

<b>Connection in acc. with standard</b>	CUL
<b>Nominal voltage <math>U_N</math></b>	300 V
<b>Nominal current <math>I_N</math></b>	8 A
<b>Indicator1</b>	CUL1
<b>Inflammability class according to UL 94</b>	V0
<b>Power dissipation at 20°C in the horizontal mounting position</b>	6.1 W 12.1 W
<b>Number of positions</b>	16

# Electronic housing - ME 22,5 UT/FE BUS/10+2 KMGY - 2890108

## Technical data

### Technical data

Number of positions	4
Number of positions	24

## classifications

### eCl@ss

eCl@ss 4.0	27180401
eCl@ss 4.1	27180401
eCl@ss 5.0	27180506
eCl@ss 5.1	27180506
eCl@ss 6.0	27180802
eCl@ss 7.0	27182702
eCl@ss 8.0	27182702

### ETIM

ETIM 2.0	EC001031
ETIM 3.0	EC001031
ETIM 4.0	EC001031
ETIM 5.0	EC001031

### UNSPSC

UNSPSC 6.01	31261501
UNSPSC 7.0901	31261501
UNSPSC 11	31261501
UNSPSC 12.01	31261501
UNSPSC 13.2	31261501

## approvals

UL Recognized / cUL Recognized / cULus Recognized /

### Approval details

UL Recognized
---------------

cUL Recognized		
Usegroups	B	D
Nominal voltage UN	300 V	300 V
Nominal current IN	8 A	8 A

# Electronic housing - ME 22,5 UT/FE BUS/10+2 KMGY - 2890108

## approvals

Usegroups	B	D
mm²/AWG/kcmil		



## accessories

### Coding element

CR-MSTB - 1734401



CP-MSTB - 1734634



### Filler plug

ME B-KA KMGY - 2706302



ME B-SA/NS 35 KMGY - 2706700



## Electronic housing - ME 22,5 UT/FE BUS/10+2 KMGY - 2890108

### accessories

ME B-22,5 MSTBO KMGY - 2907965



ME B-22,5 MKDSO KMGY - 2908498



ME B-12,5 3MSTBO GN - 2709176



### Mounting material

ME-SAS - 2853899



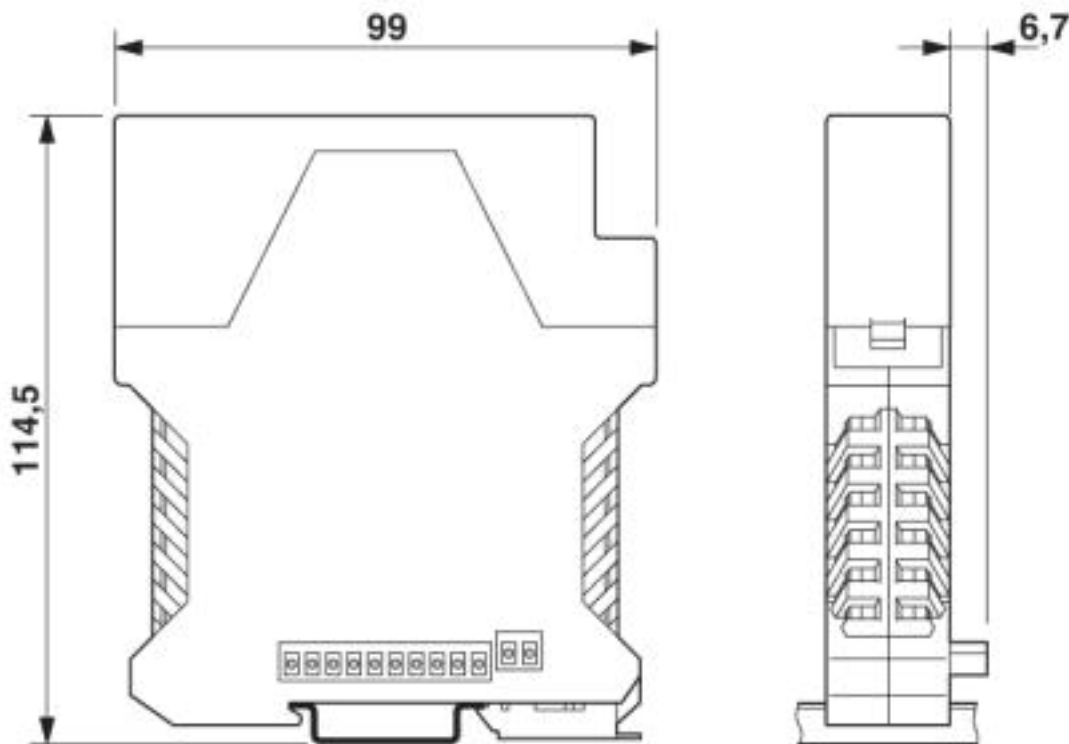
ME LPZS - 2906911



### Drawings

# Electronic housing - ME 22,5 UT/FE BUS/10+2 KMGY - 2890108

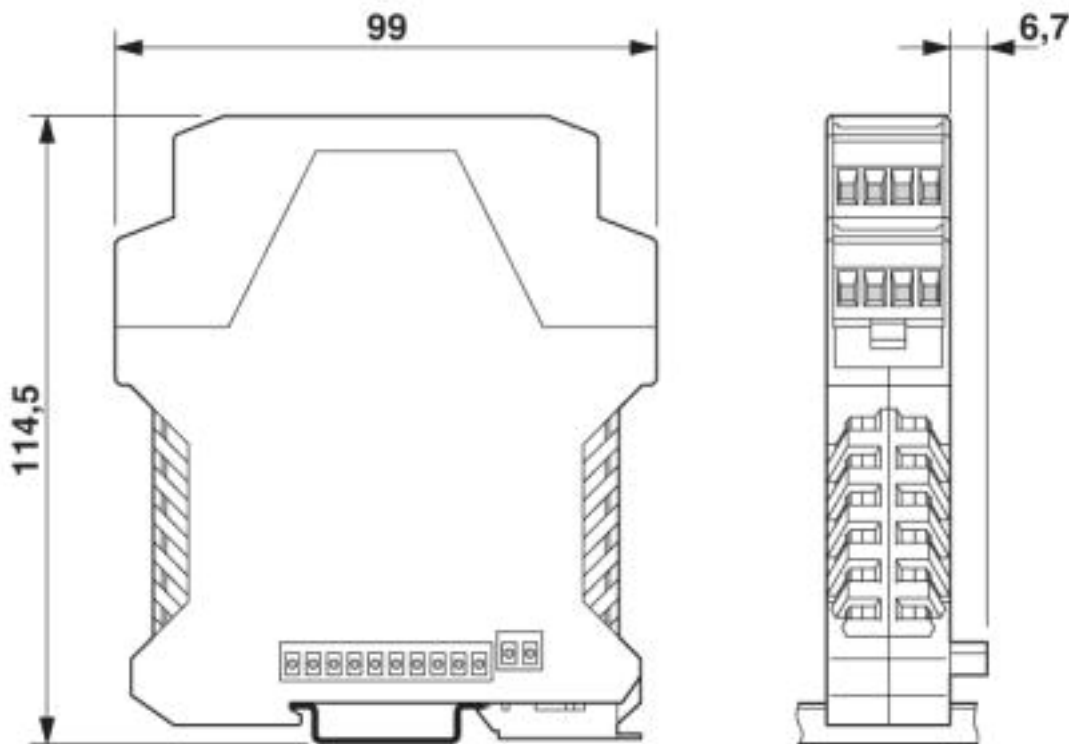
Dimensioned drawing



Dimensions of the electronics housing ME.../BUS 5+2 and ME.../BUS 10+2 with single-level upper part

# Electronic housing - ME 22,5 UT/FE BUS/10+2 KMGY - 2890108

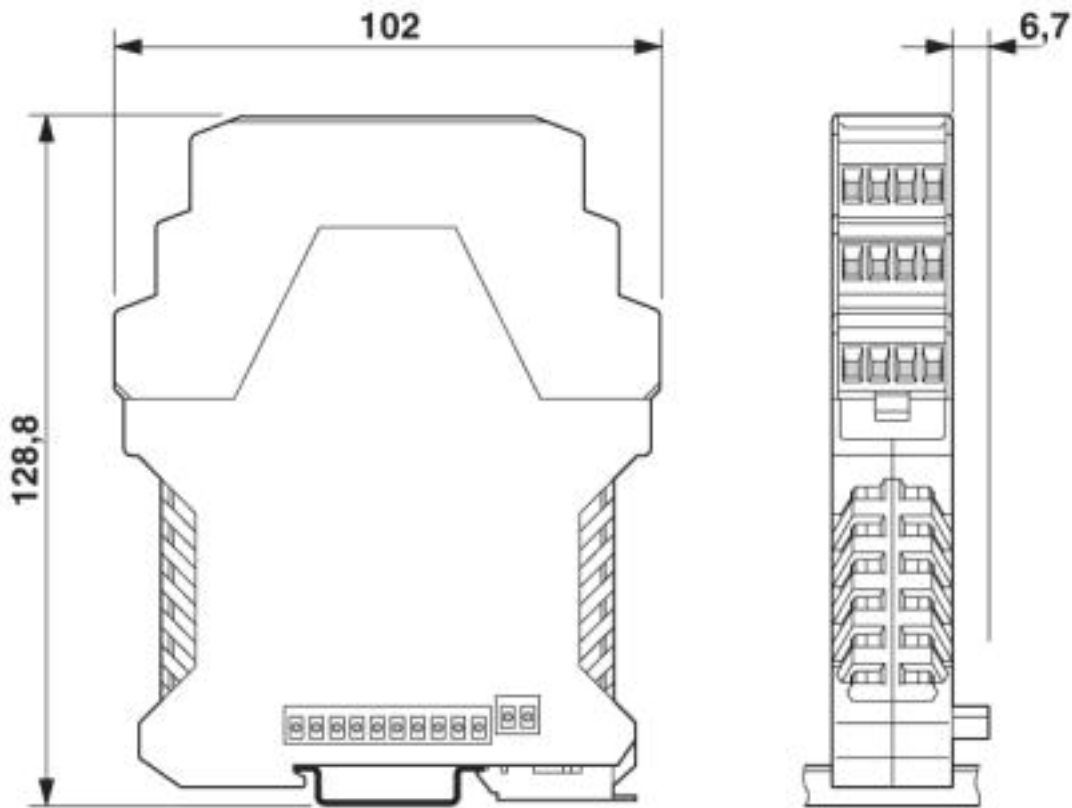
Dimensioned drawing



Dimensions of the electronics housing ME.../BUS 5+2 and ME.../BUS 10+2 with double-level upper part

# Electronic housing - ME 22,5 UT/FE BUS/10+2 KMGY - 2890108

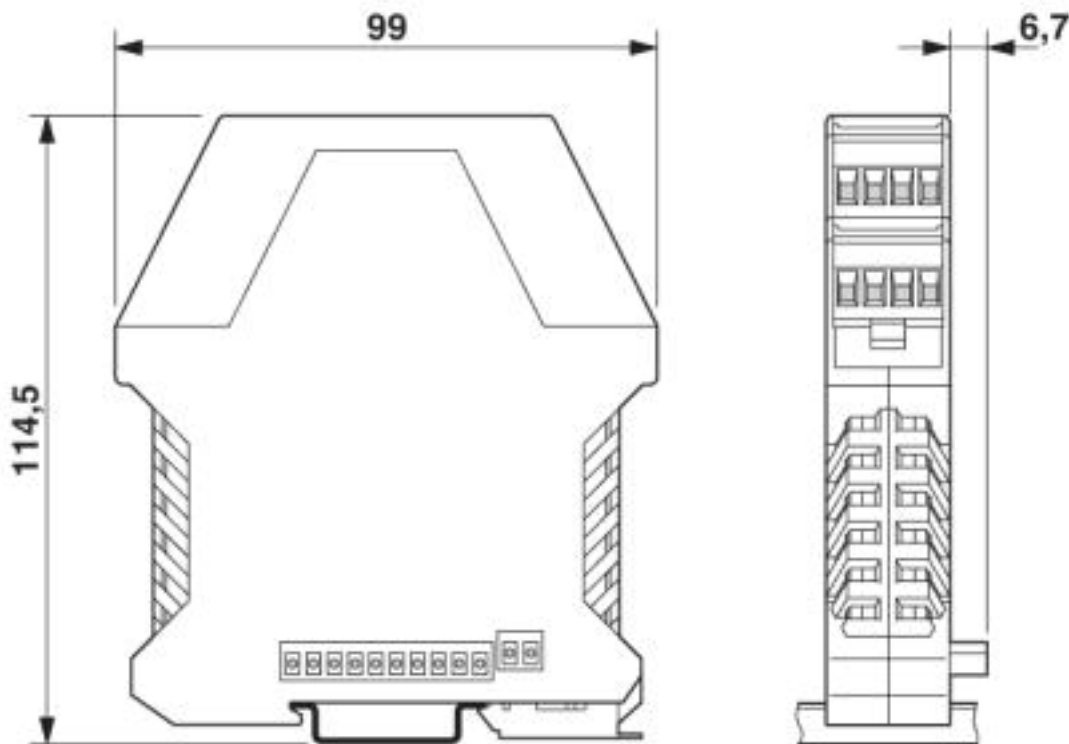
Dimensioned drawing



Dimensions of the electronics housing ME.../BUS 5+2 and ME.../BUS 10+2 with triple-level upper part

# Electronic housing - ME 22,5 UT/FE BUS/10+2 KMGY - 2890108

Dimensioned drawing

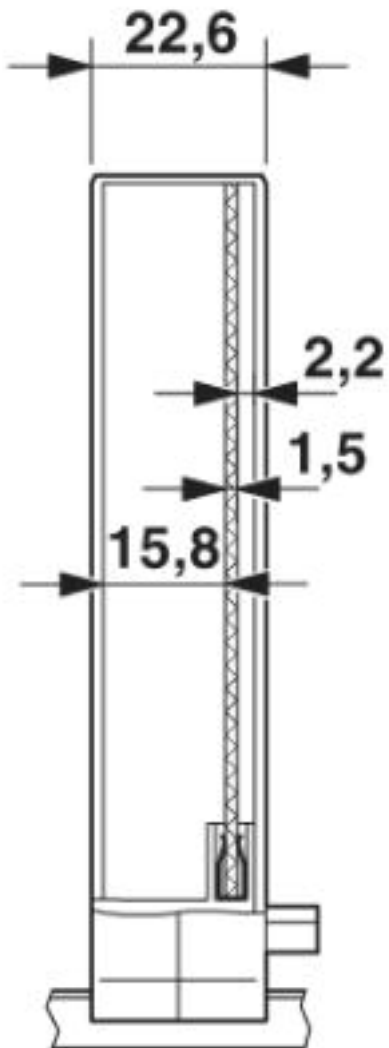


Dimensions of the electronics housing ME.../BUS 5+2 and ME.../BUS 10+2 with double-level upper part



# Electronic housing - ME 22,5 UT/FE BUS/10+2 KMGY - 2890108

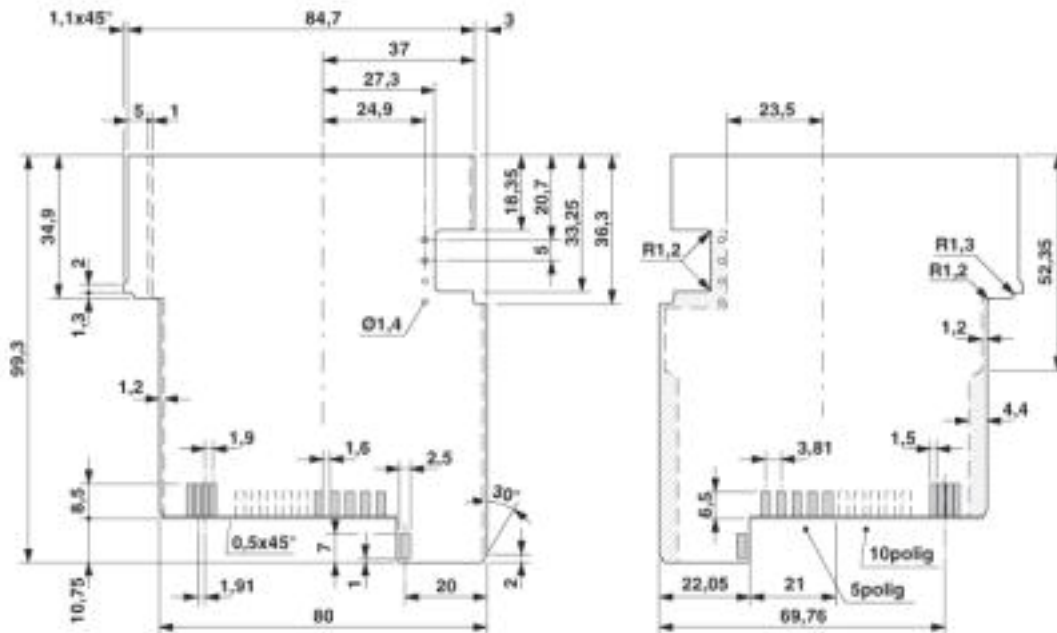
Dimensioned drawing



Inner housing dimensions, electronic housing ME 22.5.../BUS 5+2 and ME 22.5.../BUS 10+2

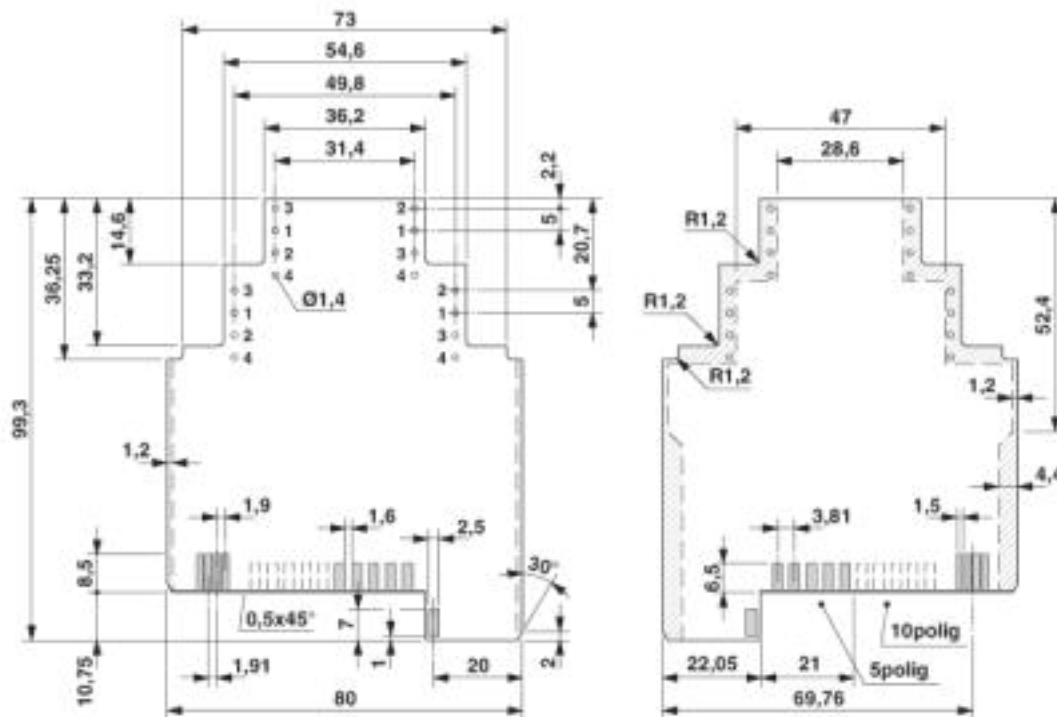
# Electronic housing - ME 22,5 UT/FE BUS/10+2 KMGY - 2890108

Dimensioned drawing



Dimensional drawing of the ME.../BUS 5+2 and ME.../BUS 10+2 printed circuit boards if the single-level upper part is used

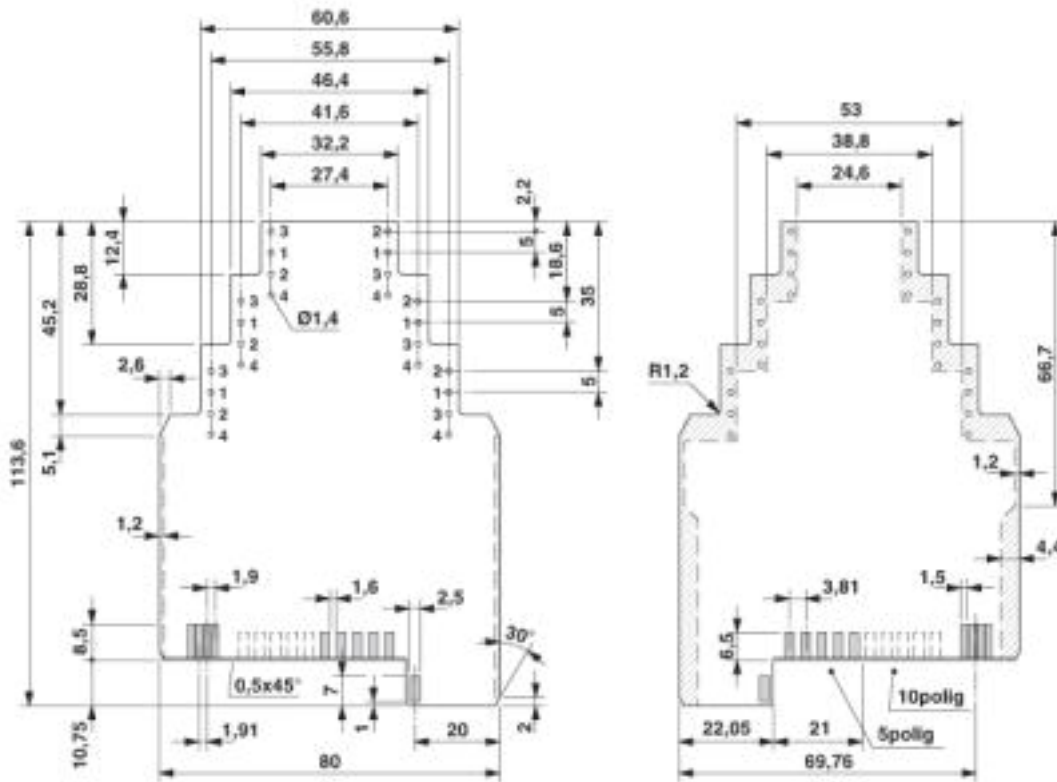
Dimensioned drawing



Dimensional drawing of the ME.../BUS 5+2 and ME.../BUS 10+2 printed circuit boards if the double-level upper part is used

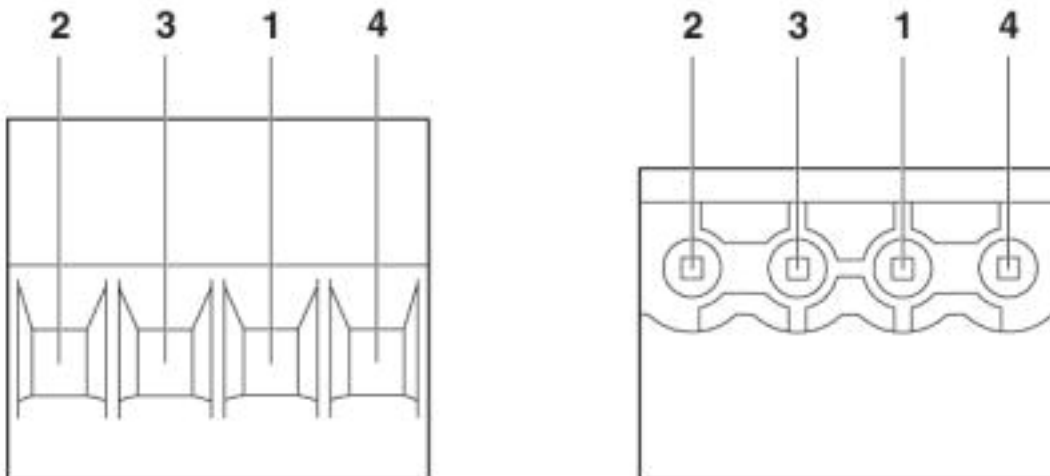
# Electronic housing - ME 22,5 UT/FE BUS/10+2 KMGY - 2890108

Dimensioned drawing



Dimensional drawing of the ME.../BUS 5+2 and ME.../BUS 10+2 printed circuit boards if the triple-level upper part is used

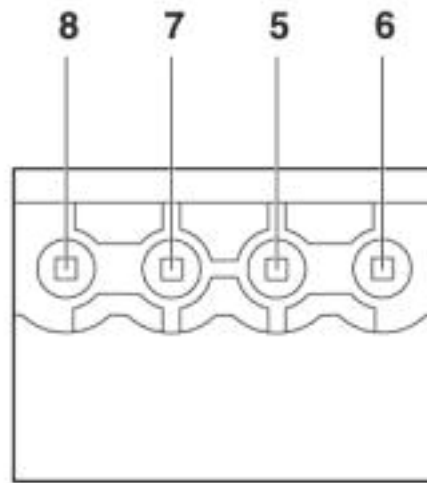
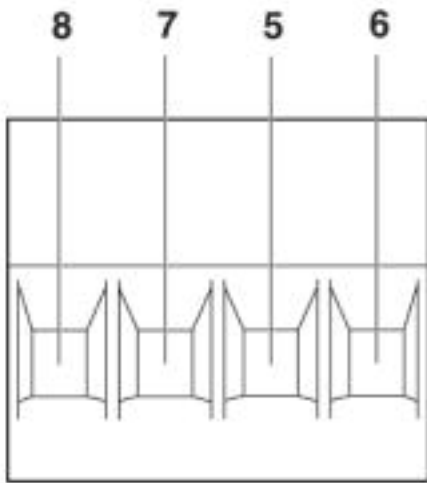
Schematic diagram



Pin assignment left

# Electronic housing - ME 22,5 UT/FE BUS/10+2 KMGY - 2890108

Schematic diagram



Pin assignment right

© Phoenix Contact 2013 - all rights reserved  
<http://www.phoenixcontact.com>