

Wirewound Resistors in Aluminium Housing

25 W



Aluminium housing for direct heat sink attachment

Excellent heat transfer and small dimensions

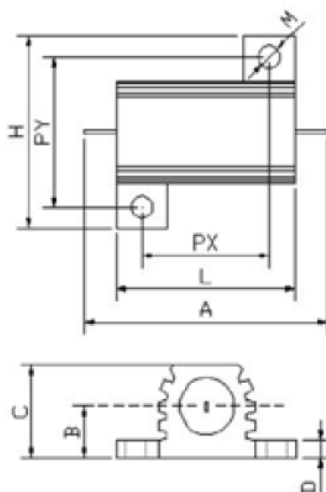
Good electrical stability, reliability and mechanical rigidity

SPECIFICATION

Rated output	25 W
Dielectric strength	550 V
Connection	Soldering
Temperature range	-25...+250 °C
Test voltage against housing	2.5 kV
Insulation resistance	10 GΩ

DIMENSIONS:

L ± 0.5 (mm)	27.3
A max. (mm)	51.8
H (mm)	28
PX ± 0.3 (mm)	18.3
PX1 (mm)	-
PY ± 0.3 (mm)	19.8
M ± 0.5 (mm)	3.2
B max. (mm)	7.5
C max. (mm)	15
D (mm)	3



PRODUCT RANGE:

Art. Nr.	Resistance	Temperature coefficient	Tolerance
RND 155-25 1R0 F	1.0 Ω	±60 ppm/°C	±1 %
RND 155-25 1R2 F	1.2 Ω	±60 ppm/°C	±1 %
RND 155-25 1R5 F	1.5 Ω	±60 ppm/°C	±1 %
RND 155-25 1R8 F	1.8 Ω	±60 ppm/°C	±1 %
RND 155-25 2R2 F	2.2 Ω	±60 ppm/°C	±1 %
RND 155-25 2R7 F	2.7 Ω	±60 ppm/°C	±1 %
RND 155-25 3R3 F	3.3 Ω	±60 ppm/°C	±1 %
RND 155-25 3R9 F	3.9 Ω	±60 ppm/°C	±1 %
RND 155-25 4R7 F	4.7 Ω	±60 ppm/°C	±1 %
RND 155-25 5R6 F	5.6 Ω	±60 ppm/°C	±1 %
RND 155-25 6R8 F	6.8 Ω	±60 ppm/°C	±1 %
RND 155-25 8R2 F	8.2 Ω	±60 ppm/°C	±1 %
RND 155-25 10R F	10 Ω	±60 ppm/°C	±1 %
RND 155-25 12R F	12 Ω	±60 ppm/°C	±1 %
RND 155-25 15R F	15 Ω	±60 ppm/°C	±1 %
RND 155-25 18R F	18 Ω	±60 ppm/°C	±1 %
RND 155-25 22R F	22 Ω	±60 ppm/°C	±1 %
RND 155-25 27R F	27 Ω	±60 ppm/°C	±1 %
RND 155-25 33R F	33 Ω	±60 ppm/°C	±1 %
RND 155-25 39R F	39 Ω	±60 ppm/°C	±1 %
RND 155-25 47R F	47 Ω	±60 ppm/°C	±1 %
RND 155-25 56R F	56 Ω	±60 ppm/°C	±1 %
RND 155-25 68R F	68 Ω	±60 ppm/°C	±1 %
RND 155-25 82R F	82 Ω	±60 ppm/°C	±1 %
RND 155-25 100R F	100 Ω	±30 ppm/°C	±1 %
RND 155-25 120R F	120 Ω	±30 ppm/°C	±1 %
RND 155-25 150R F	150 Ω	±30 ppm/°C	±1 %
RND 155-25 180R F	180 Ω	±30 ppm/°C	±1 %
RND 155-25 220R F	220 Ω	±30 ppm/°C	±1 %
RND 155-25 270R F	270 Ω	±30 ppm/°C	±1 %
RND 155-25 330R F	330 Ω	±30 ppm/°C	±1 %
RND 155-25 390R F	390 Ω	±30 ppm/°C	±1 %
RND 155-25 470R F	470 Ω	±30 ppm/°C	±1 %
RND 155-25 560R F	560 Ω	±30 ppm/°C	±1 %
RND 155-25 680R F	680 Ω	±30 ppm/°C	±1 %
RND 155-25 820R F	820 Ω	±30 ppm/°C	±1 %
RND 155-25 1K0 F	1.0 kΩ	±30 ppm/°C	±1 %
RND 155-25 1K2 F	1.2 kΩ	±30 ppm/°C	±1 %
RND 155-25 1K5 F	1.5 kΩ	±30 ppm/°C	±1 %
RND 155-25 1K8 F	1.8 kΩ	±30 ppm/°C	±1 %
RND 155-25 2K2 F	2.2 kΩ	±30 ppm/°C	±1 %
RND 155-25 2K7 F	2.7 kΩ	±30 ppm/°C	±1 %
RND 155-25 3K3 F	3.3 kΩ	±30 ppm/°C	±1 %
RND 155-25 3K9 F	3.9 kΩ	±30 ppm/°C	±1 %
RND 155-25 4K7 F	4.7 kΩ	±30 ppm/°C	±1 %
RND 155-25 5K6 F	5.6 kΩ	±30 ppm/°C	±1 %
RND 155-25 6K8 F	6.8 kΩ	±30 ppm/°C	±1 %
RND 155-25 8K2 F	8.2 kΩ	±30 ppm/°C	±1 %
RND 155-25 10K F	10 kΩ	±30 ppm/°C	±1 %
RND 155-25 12K F	12 kΩ	±30 ppm/°C	±1 %
RND 155-25 15K F	15 kΩ	±30 ppm/°C	±1 %
RND 155-25 18K F	18 kΩ	±30 ppm/°C	±1 %
RND 155-25 22K F	22 kΩ	±30 ppm/°C	±1 %
RND 155-25 27K F	27 kΩ	±30 ppm/°C	±1 %

PRODUCT RANGE:

Art. Nr.	Resistance	Temperature coefficient	Tolerance
RND 15525 R10 J	0.1 Ω	± 60 ppm/ $^{\circ}\text{C}$	± 5 %
RND 15525 R15 J	0.15 Ω	± 60 ppm/ $^{\circ}\text{C}$	± 5 %
RND 15525 R22 J	0.22 Ω	± 60 ppm/ $^{\circ}\text{C}$	± 5 %
RND 15525 R33 J	0.33 Ω	± 60 ppm/ $^{\circ}\text{C}$	± 5 %
RND 15525 R47 J	0.47 Ω	± 60 ppm/ $^{\circ}\text{C}$	± 5 %
RND 15525 R68 J	0.68 Ω	± 60 ppm/ $^{\circ}\text{C}$	± 5 %