

XVUC26

Illuminated LED unit for modular tower lights, blue, Ø60, steady, IP65, 24 V AC/DC



Main

Range of product	Harmony XVU
Product or component type	Modular tower light
Beacon or indicator bank unit type	LED unit
Mounting diameter	60 mm
Component name	XVU
Light source	LED, blue
Device application	Packaging machine Automotive Machine tools

Complementary

Signalling type	Steady
Assembly style	Up to 4 units with buzzer Customer assembly, up to 5 units
Material	PC (polycarbonate) V-2 conforming to UL 94 PC (polycarbonate) V-0 conforming to UL 94
[Us] rated supply voltage	24 V AC/DC
Maximum power dissipation in W	2.5 W
Current consumption	<= 50 mA
Signalling type	Steady
Length	50 mm
Net weight	0.064 kg

Environment

Product certifications	UL CE CSA
Ambient air temperature for storage	-40...70 °C
IP degree of protection	IP65
Ambient air temperature for operation	-25...50 °C
Vibration resistance	2 gn

Packing Units

Unit Type of Package 1	PCE
Number of Units in Package 1	1
Package 1 Weight	150.0 g
Package 1 Height	9.1 cm
Package 1 width	13.3 cm
Package 1 Length	9.0 cm
Unit Type of Package 2	PAL
Number of Units in Package 2	192
Package 2 Weight	35.84 kg
Package 2 Height	60.0 cm
Package 2 width	80.0 cm
Package 2 Length	70.0 cm

Unit Type of Package 3	S03
Number of Units in Package 3	24
Package 3 Weight	4.252 kg
Package 3 Height	30.0 cm
Package 3 width	30.0 cm
Package 3 Length	40.0 cm

Offer Sustainability

Sustainable offer status	Green Premium product
REACH Regulation	REACH Declaration
EU RoHS Directive	Pro-active compliance (Product out of EU RoHS legal scope) EU RoHS Declaration
Mercury free	Yes
RoHS exemption information	Yes
China RoHS Regulation	China RoHS Declaration
Environmental Disclosure	Product Environmental Profile
Circularity Profile	End Of Life Information

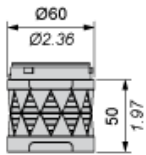
Contractual warranty

Warranty	18 months
----------	-----------

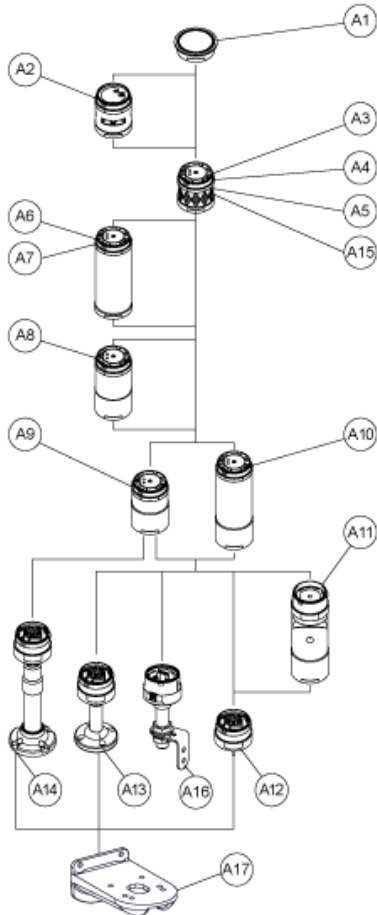
Illuminated LED Unit

Dimensions

$\frac{\text{mm}}{\text{in.}}$



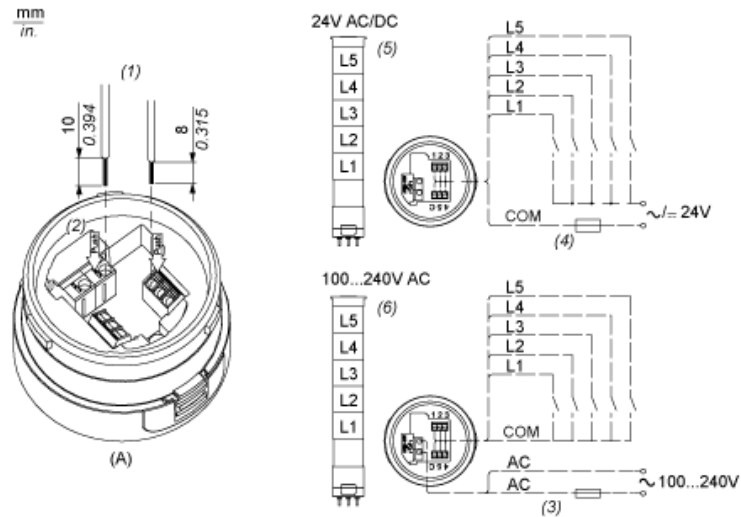
Modular Tower Lights Mounting



Drawing	Part number	Part name
A1	-	Top cover
-	Top cover (Silver)	
A2	XVUC9S	Buzzer unit
XVUC9SQ	Buzzer unit (Silver)	
A3	XVUC23	Green LED unit
XVUC24	Red LED unit	
XVUC25	Orange LED unit	
XVUC26	Blue LED unit	
XVUC27	White LED unit	
XVUC28	Yellow LED unit	
A4	XVUC29	Multi-LED unit
A5	XVUC29P	Multi-LED unit, Pulse signal
A6	XVUC9V	Sound unit
A7	XVUC9VP	Sound unit, Pulse signal
A8	XVUC020	Extender
XVUC020Q	Extender (Silver)	
A9	XVUC21B	DC body

Drawing	Part number	Part name
XVUC21BQ	DC body (Silver)	
A10	XVUC21M	AC body NPN
XVUC21MP	AC body PNP	
XVUC21MQP	AC body PNP (Silver)	
A11	XVUZ06	Flexible option
A12	XVUZ01	Fixing Unit - Direct mounting (3 pins)
XVUZ01Q	Fixing Unit - Direct mounting (Silver,3 pins)	
XVUZ03	Fixing Unit - Direct mounting (2 pins)	
XVUZ04	Fixing Unit - Direct mounting (4 pins)	
A13	XVUZ02	Fixing Unit - Plate with Pole (100 mm)
XVUZ02Q	Fixing Unit - Plate with Pole (100 mm, Silver)	
XVUZ400	Fixing Unit - Plate with Pole (400 mm)	
XVUZ800	Fixing Unit - Plate with Pole (800 mm)	
A14	XVUZ05	Fixing Unit - Plate with adjustment pole (100-385 mm)
A15	XVUC43	Green LED unit, Flash
XVUC44	Red LED unit, Flash	
XVUC45	Orange LED unit, Flash	
XVUC46	Blue LED unit, Flash	
XVUC47	White LED unit, Flash	
XVUC48	Yellow LED unit, Flash	
A16	XVUZ100T	Fixing Unit - Metal bracket with pole (100 mm)
XVUZ250T	Fixing Unit - Metal bracket with pole(250 mm)	
XVUZ400T	Fixing Unit - Metal bracket with pole (400 mm)	
A17	XVUZ12	Fixing plate for use on vertical support - black

Illuminated Units, Multi-LED and Audible Units Wiring



- (A) Fixing Unit
 - (1) Dimensions of Wiring size
 - (2) Push-in Wire Connectors
 - (3) Fuse : 2A ,250V
 - (4) Fuse : 0.5A , 125V
 - (5) Modular Tower Lights 24V AC/DC
 - (6) Modular Tower Lights 100...240V AC
- L1 to Illuminated LED Units
L5 :