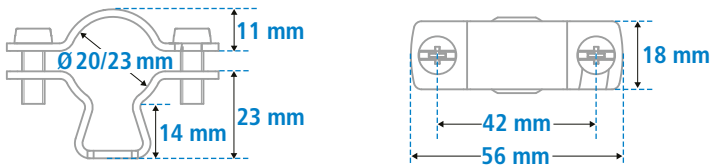
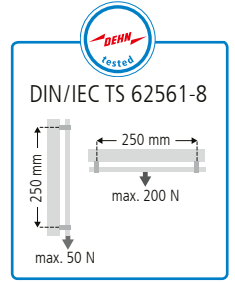
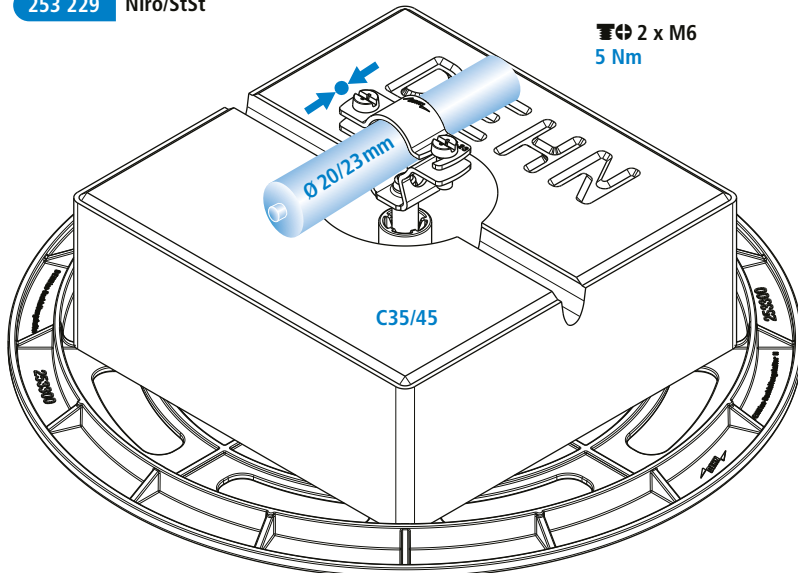


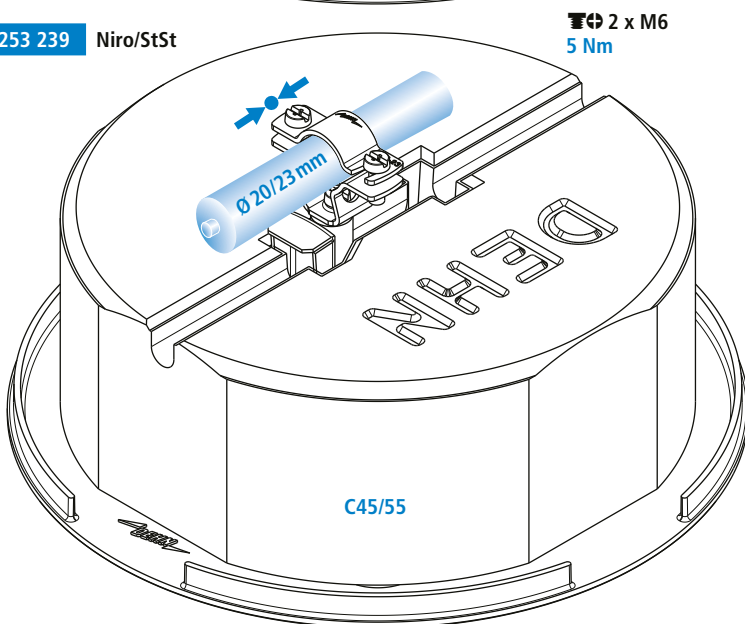
IEC 60417-6182: Installation, electrotechnical expertise
 IEC 60417-6183: Installation, mechanical expertise



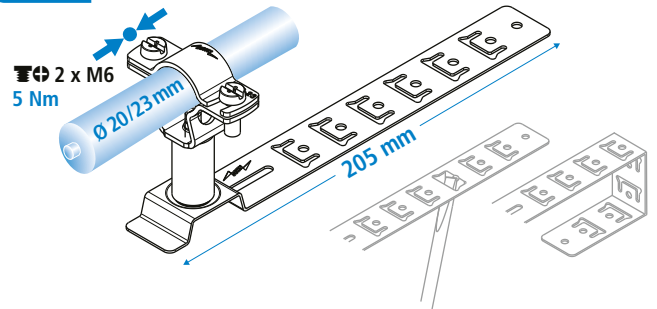
253 229 Niro/StSt



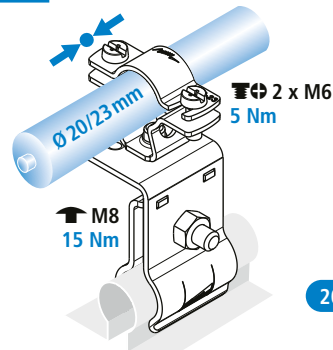
253 239 Niro/StSt



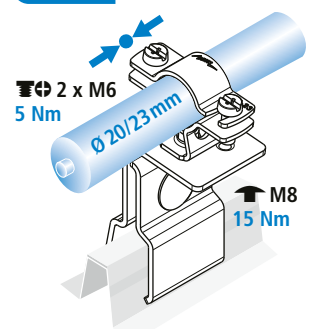
202 829 Niro/StSt



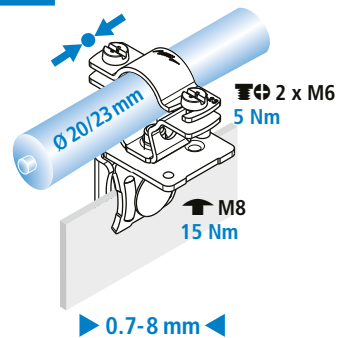
202 850 Niro/StSt



202 851 Niro/StSt



202 852 Niro/StSt



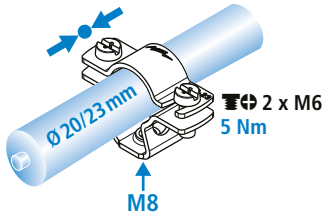


IEC 60417-6182:
Installation,
electrotechnical expertise

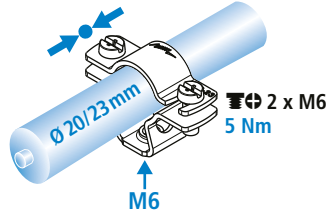


IEC 60417-6183:
Installation,
mechanical expertise

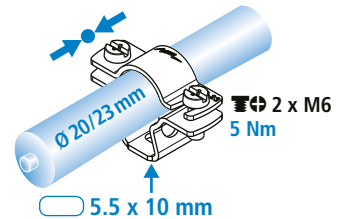
275 250 Niro/StSt



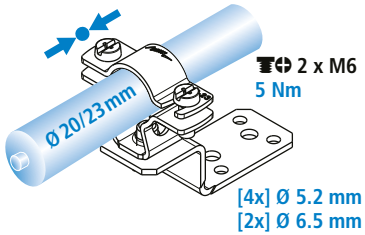
275 251 Niro/StSt



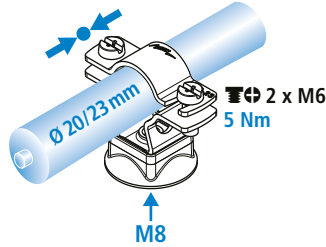
275 252 Niro/StSt



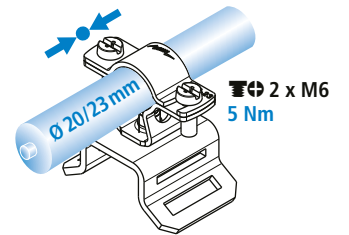
202 853 Niro/StSt



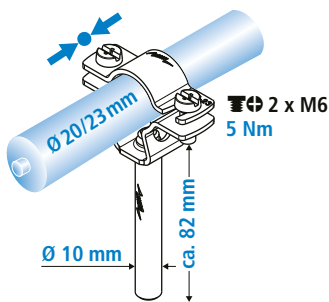
275 259 Niro/StSt



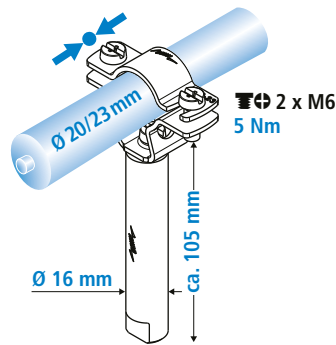
275 319 Niro/StSt



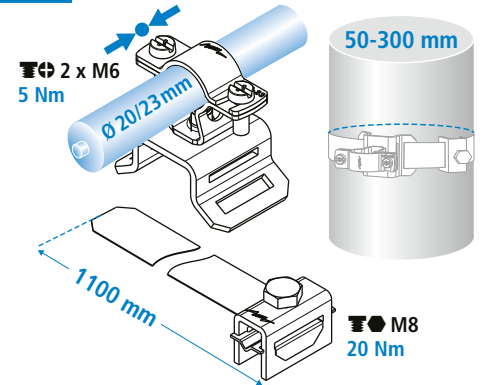
253 289 Niro/StSt



253 279 Niro/StSt

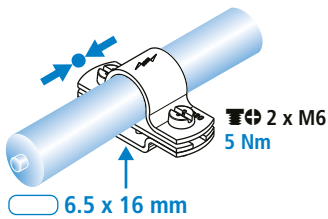


275 320 Niro/StSt

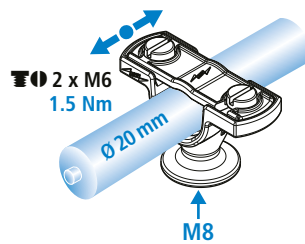


275 229 Niro/StSt Ø 20 mm

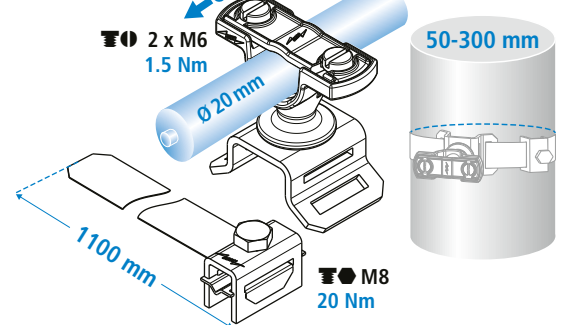
275 239 Niro/StSt Ø 23 mm



275 220 PA

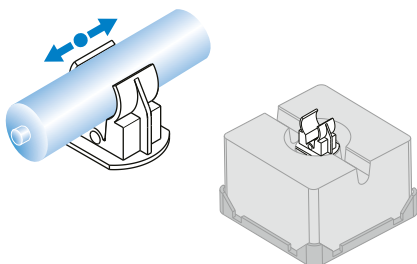


275 330 PA

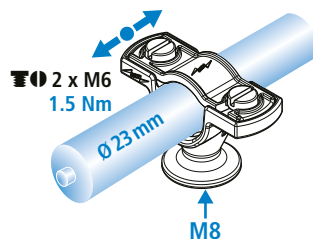


253 026 Kunststoff/plastic Ø 20 mm

253 027 Kunststoff/plastic Ø 23 mm



275 225 PA



275 333 PA

